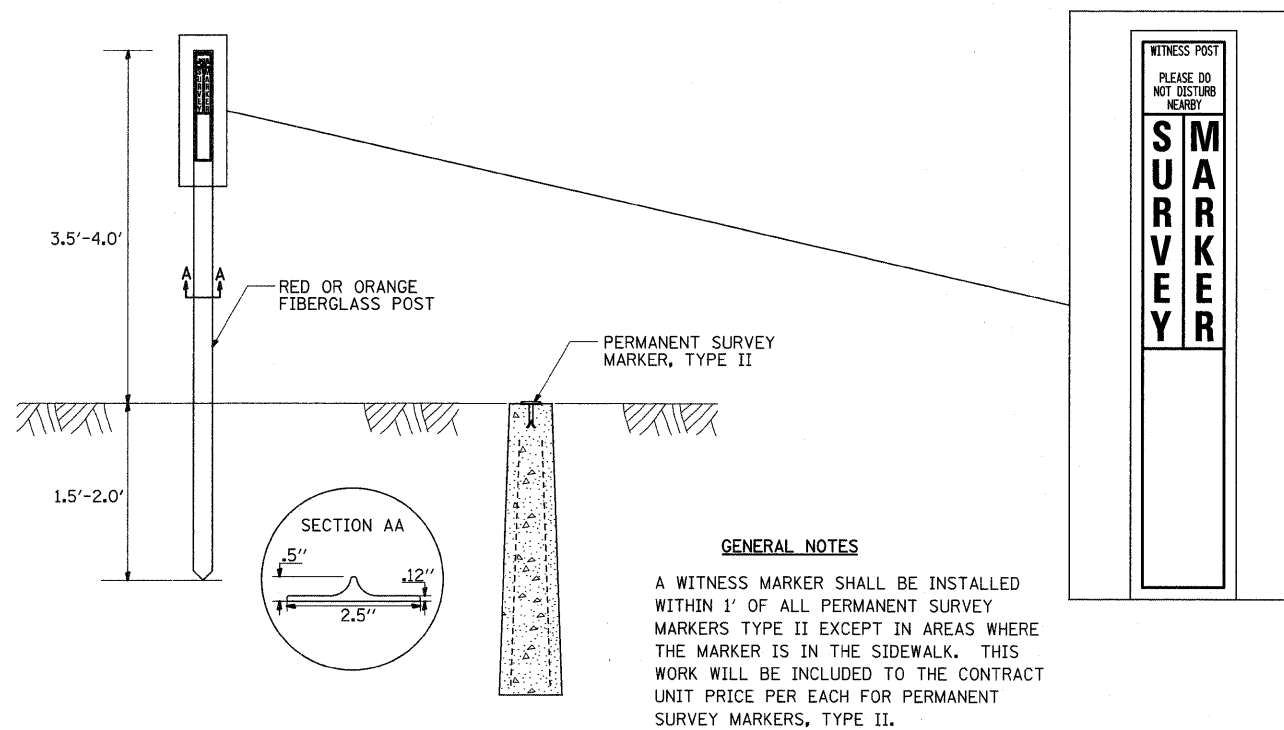
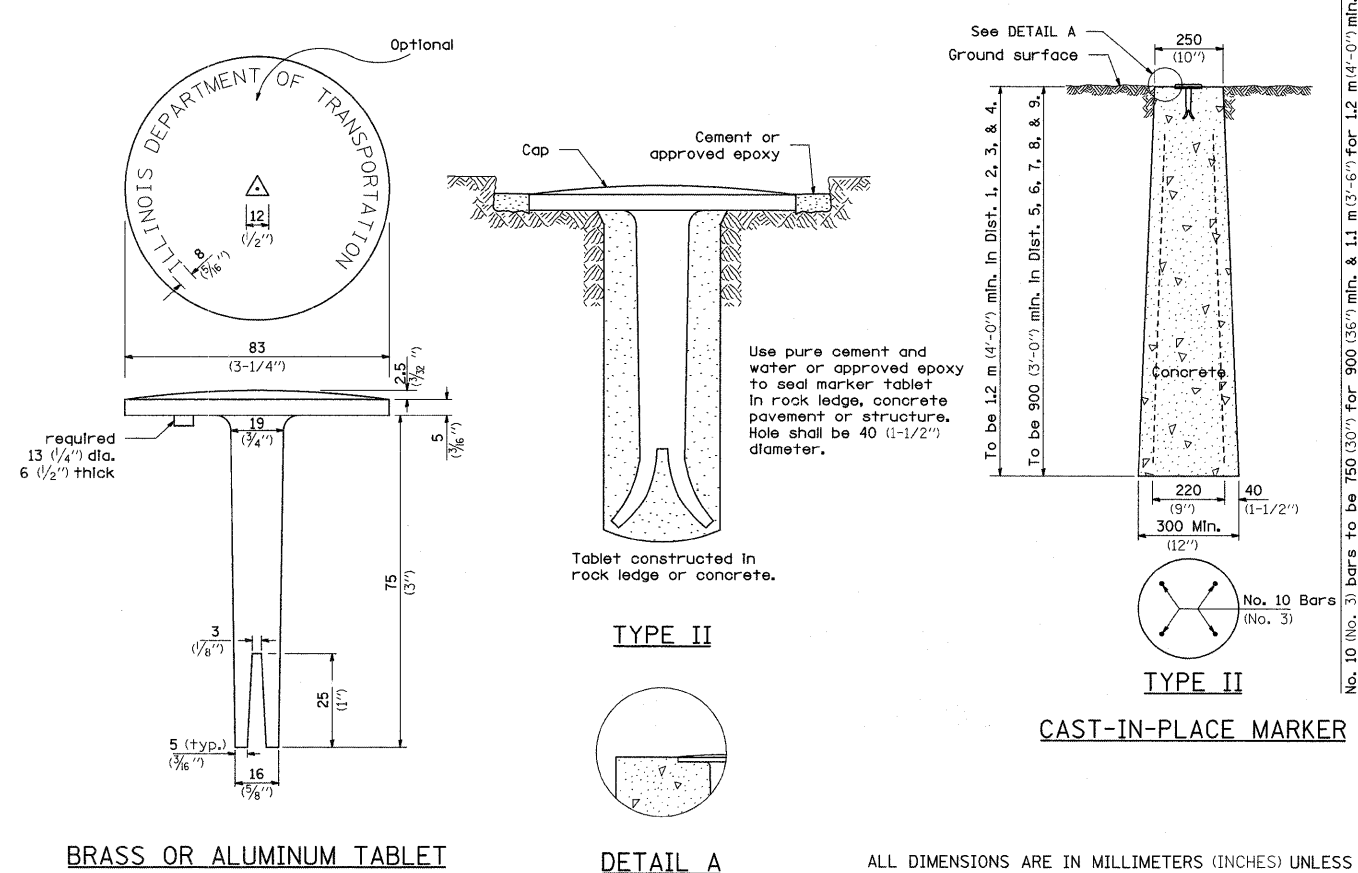


WITNESS MARKER FOR PERMANENT SURVEY MARKERS, TYPE II

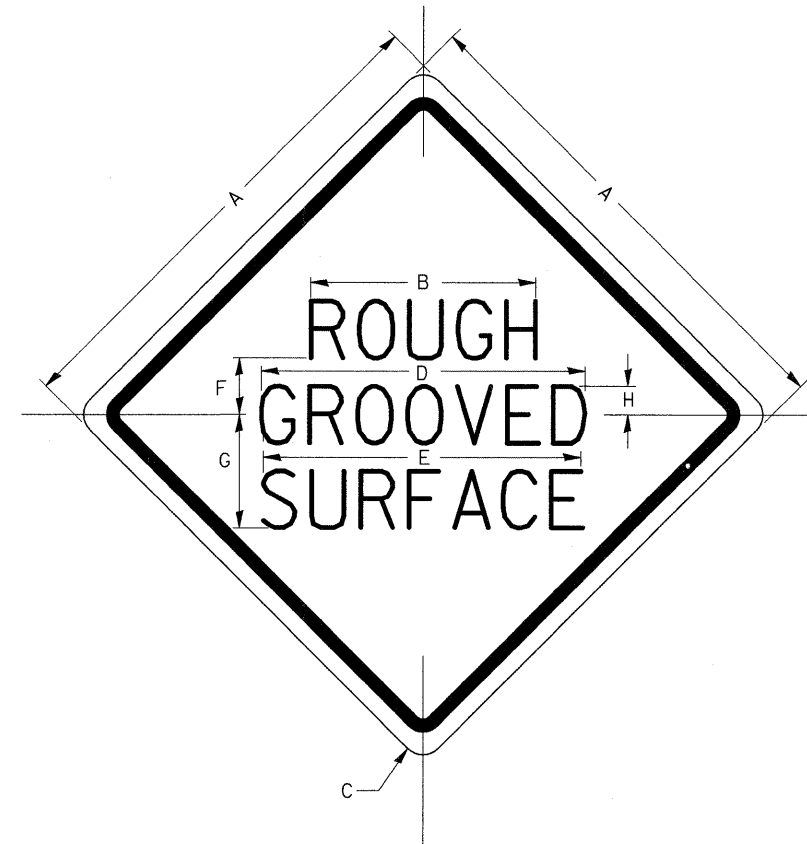


PERMANENT SURVEY MARKERS, TYPE II



ROUGH GROOVED SURFACE SIGN

ILLINOIS STANDARD W8-I107
SIGN PANEL TYPE 1



COLOR: LEGEND AND BORDER - BLACK NON-REFLECTIVE
BACKGROUND - ORANGE REFLECTORIZED

| SIGN SIZE | DIMENSIONS | | | | | | | |
|----------------------|----------------|---------------|-------------|---------------|---------------|--------------|---------------|-------------|
| | A | B | C | D | E | F | G | H |
| 1200x1200 (48x48) | 1200 (48.0) | 600 (24.1) | 75 (3.0) | 850 (34.0) | 825 (33.0) | 150 (6.0) | 325 (13.0) | 88 (3.5) |

| SIGN SIZE | SERIES LINES | | | MARGIN | BORDER | BLANK STD. |
|----------------------|--------------|----|----|-------------|-------------|------------|
| | 1 | 2 | 3 | | | |
| 1200x1200 (48x48) | 7C | 7C | 7C | 20 (0.8) | 30 (1.2) | B4-48D |

ALL DIMENSIONS IN INCHES.

GENERAL NOTES

SIGN PANELS AND FACE MATERIALS SHALL BE ACCORDING TO SECTION 720 OF THE STANDARD SPECIFICATIONS

METAL POSTS SHALL BE IN ACCORDANCE WITH STD. 720011.

ALL MOUNTING HARDWARE SHALL BE ALUMINUM, STAINLESS STEEL, ZINC OR CADMIUM PLATED STEEL AND SHALL BE INCLUDED TO THE COST OF THE INSTALLATION.

ALL DIMENSIONS ARE IN MILLIMETERS (INCHES) UNLESS OTHERWISE NOTED.

REVISED - 6-26-06

REVISED - 1-09-08

REVISED -

REVISED -

REVISED -

REGION 2 / DISTRICT 2 STANDARD

SCALE: 50.0000' / 1" SHEET NO. OF SHEETS STA. TO STA.

| F.A.P. RTE. | SECTION | COUNTY | TOTAL SHEETS | SHEET NO. |
|---|---------|--------|--------------|-----------|
| 553 | 120M | OGLE | 71 | 48 |
| CONTRACT NO. 64E55 | | | | |
| FED. ROAD DIST. NO. ILLINOIS FED. AID PROJECT | | | | |