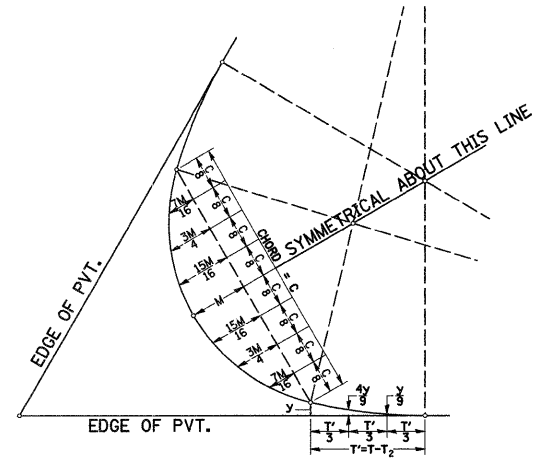


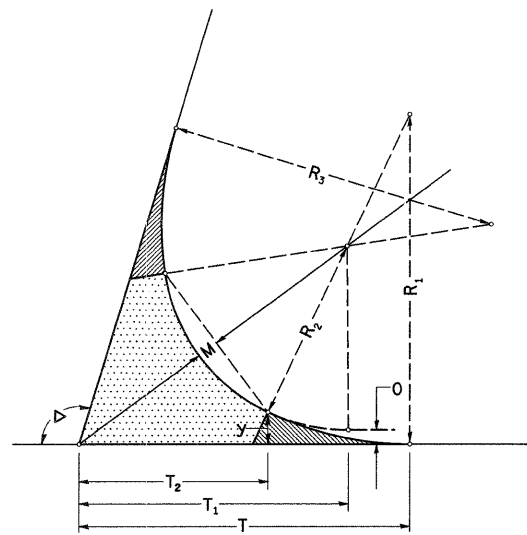
THREE CENTER CURVE DATA

SYMMETRICAL CURVES



FIELD LAYOUT METHOD

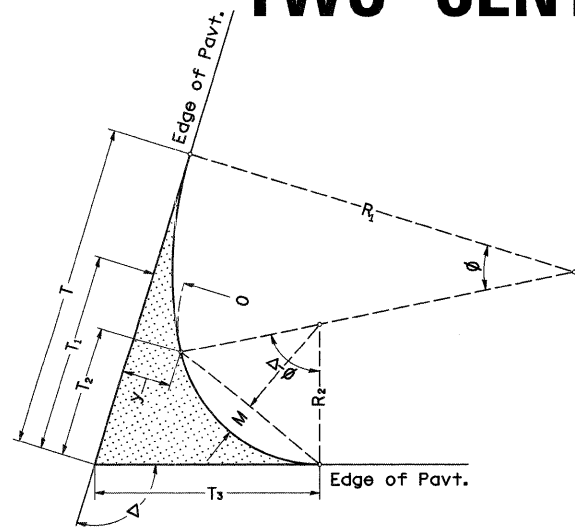
CURVE #							
R ₁							
R ₂							
R ₃							
O							
Δ							
T							
T ₁							
T ₂							
T ³							
y							
$\frac{4y}{9}$							
$\frac{y}{9}$							
M							
$\frac{15M}{16}$							
$\frac{3M}{4}$							
$\frac{7M}{16}$							
C							



FOR SYMMETRICAL CURVES

ALL DIMENSIONS ARE IN MILLIMETERS (INCHES) UNLESS OTHERWISE NOTED.

TWO CENTER CURVE DATA



TWO CENTER CURVES

CURVE #	1	2	3	4			
R ₁	400.00	400.00	400.00	400.00			
R ₂	110.00	110.00	110.00	110.00			
O	7.00	7.00	7.00	7.00			
Δ	91.17	90.30	89.13	90.47			
T	175.74	173.95	171.58	174.29			
T ₁	112.41	110.61	108.25	110.95			
T ₂	88.39	86.59	84.22	86.93			
T ₃	119.27	117.58	115.35	117.90			
y	9.66	9.66	9.66	9.66			
$\frac{4y}{9}$	4.29	4.29	4.29	4.29			
$\frac{y}{9}$	1.07	1.07	1.07	1.07			
M	24.85	24.32	23.63	24.42			
$\frac{15M}{16}$	23.30	22.80	22.15	22.90			
$\frac{3M}{4}$	18.64	18.24	17.72	18.32			
$\frac{7M}{16}$	10.87	10.64	10.34	10.69			
C	139.28	137.98	136.23	138.23			

REVISED - 3-22-90

REVISED -	REGION 2 / DISTRICT 2 STANDARD	F.A.P. RTE.	SECTION	COUNTY	TOTAL SHEETS	SHEET NO.
REVISED -		553	120M	OGLE	71	49
REVISED -		CONTRACT NO. 64E55				
REVISED -		SCALE: 50.0000' / IN	SHEET NO.	OF	SHEETS	STA.