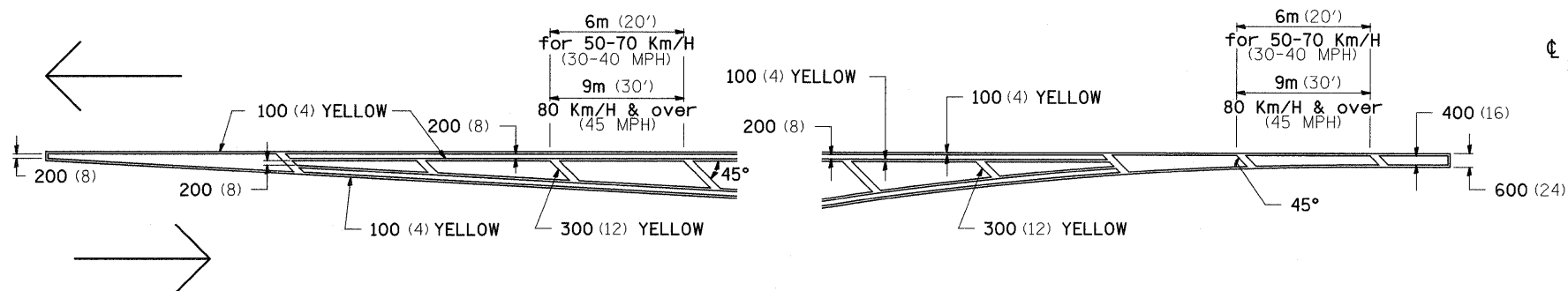
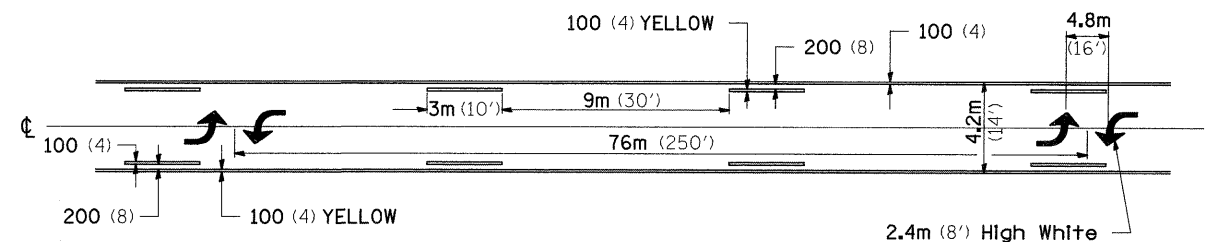


# TYPICAL PAVEMENT MARKINGS

## TYPICAL PAVEMENT MARKING FOR FLUSH MEDIAN AT LEFT TURN LANE

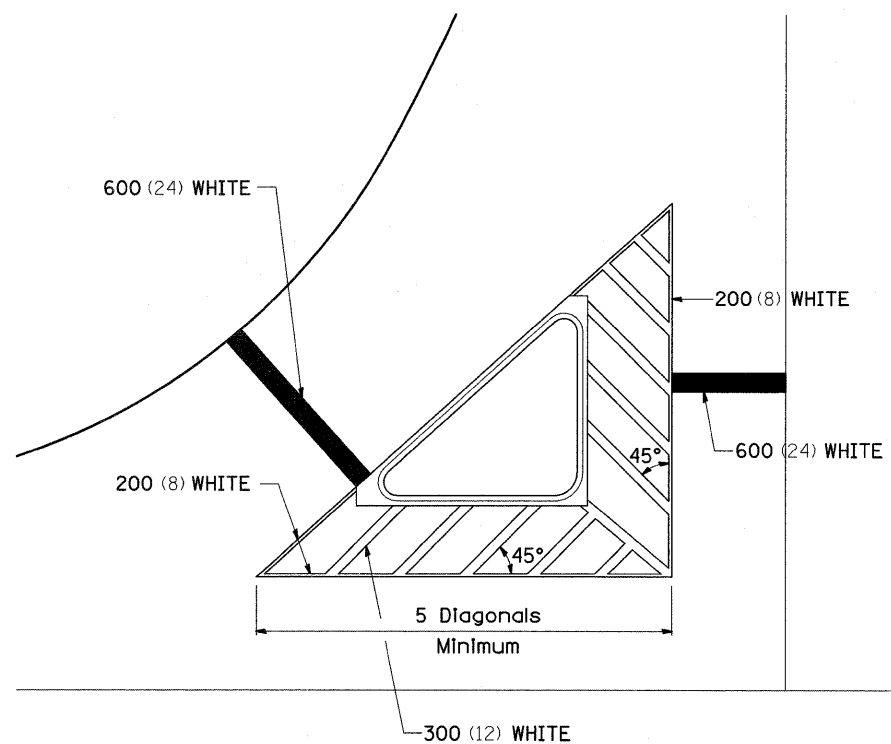


## MEDIAN PAVEMENT MARKING

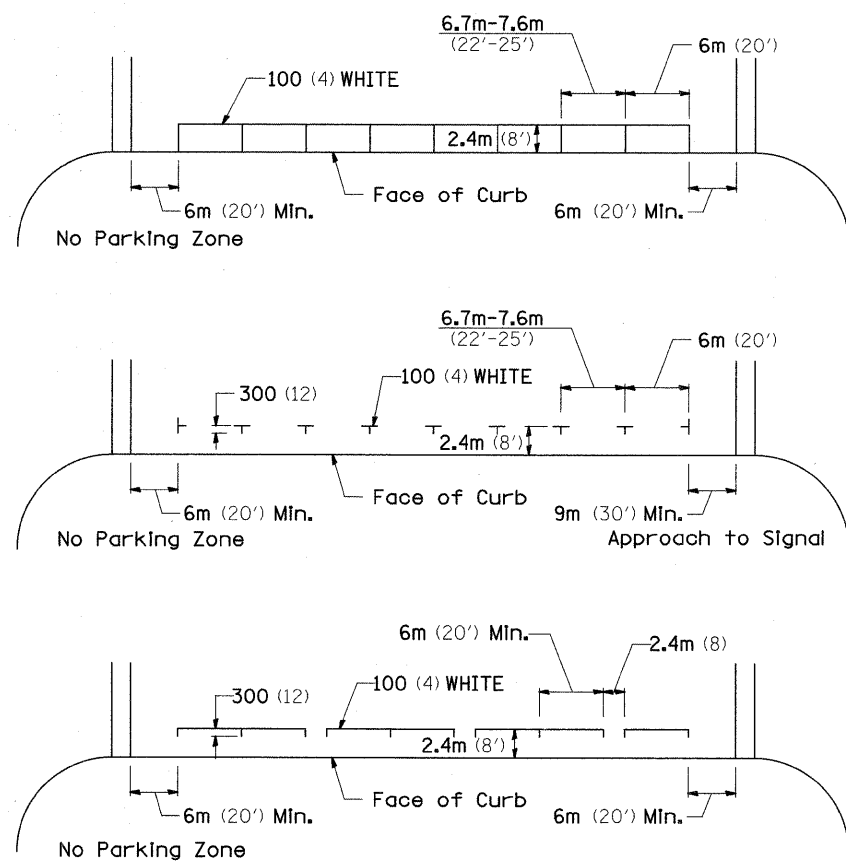


•• ALL DIMENSIONS ARE IN MILLIMETERS (INCHES) UNLESS OTHERWISE NOTED.

## TYPICAL ISLAND OFFSET SHOULDER WIDTH

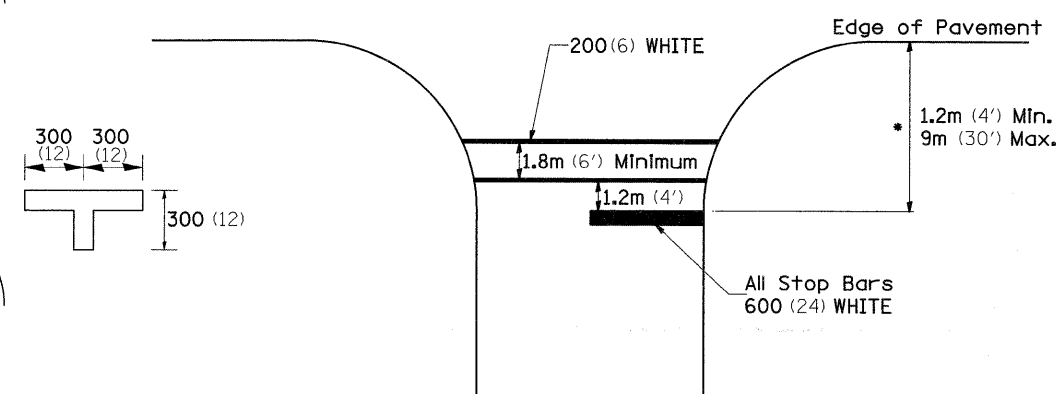


## TYPICAL PARKING SPACING



## STANDARD CROSSWALK MARKING

See Schedules for Locations



\* Distance to the nearest edge of the intersecting roadway in the absence of a marked crosswalk.

|  |                    |            |                    |   |                                       |   |         |           |              |           |  |
|--|--------------------|------------|--------------------|---|---------------------------------------|---|---------|-----------|--------------|-----------|--|
| FILE NAME =  | USER NAME = dossed | DESIGNED - | REVISED - 10-21-08 | <b>STATE OF ILLINOIS<br/>DEPARTMENT OF TRANSPORTATION</b> | <b>REGION 2 / DISTRICT 2 STANDARD</b> | F.A.P. RTE.                                   | SECTION | COUNTY    | TOTAL SHEETS | SHEET NO. |  |
| c:\pw_work\pwsdot\dossed\0125645\0204499-shr-cover.dgn |                    | DRAWN -    | REVISED -          |   |                                       | 3C3   | (1-DCH) | WINNEBAGO | 58           | 51        |  |
| PLOT SCALE = 50.0000' / IN.                            |                    | CHECKED -  | REVISED -          |   |                                       | CONTRACT NO. 64E90                            |         |           |              |           |  |
| PLOT DATE = Tue Mar 10 11:07:43 2009                   |                    | DATE -     | REVISED -          |   |                                       | FED. ROAD DIST. NO. ILLINOIS FED. AID PROJECT |         |           |              |           |  |