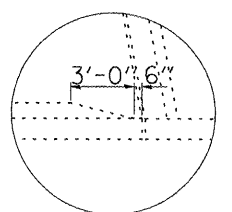
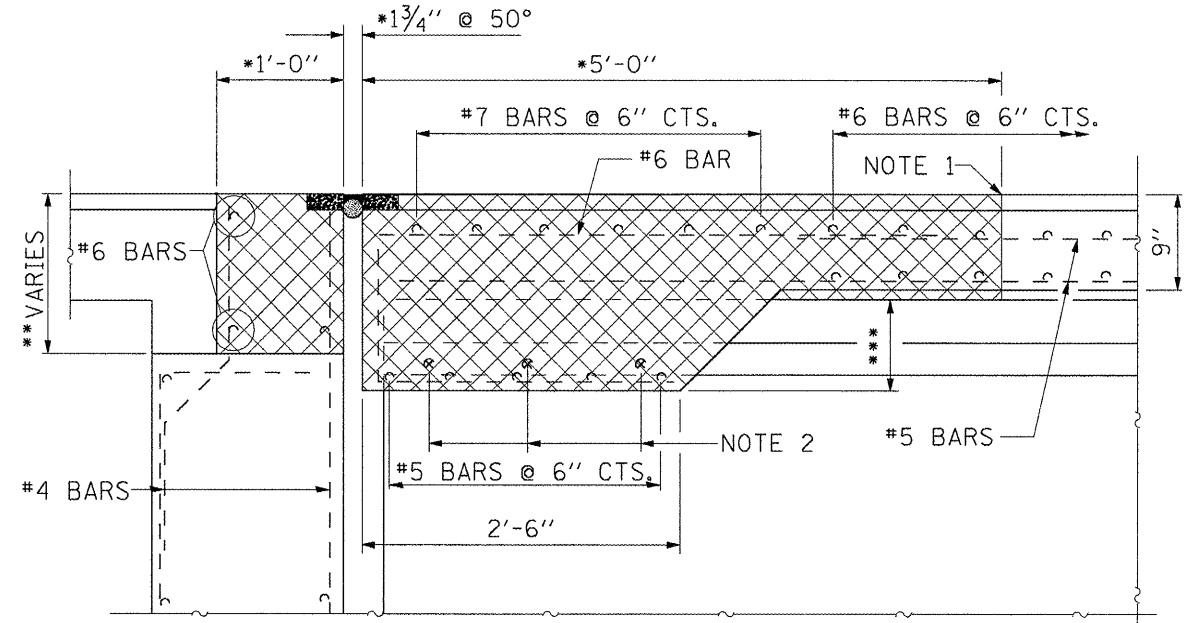


* @ RT. L'S
** 1'-9 3/4" TO 1'-3" S. ABUT.
1'-10" TO 1'-3" N. ABUT.
*** 11" @ FASCIA BEAMS

CONCRETE REMOVAL

NOTE 1: SAW CUT 3/4" MAX. INTO CONCRETE DECK
NOTE 2: EXISTING THREADED RODS, SHALL BE STRAIGHTENED, CLEANED AND INCORPORATED INTO THE NEW CONCRETE



BASIC BAR LAP

BAR SIZE	LENGTH
#4	1'-4"
#5	1'-8"
#6	2'-0"

(EF) DENOTES "EACH FACE".

BILL OF MATERIALS FOR ONE ABUTMENT

CONCRETE REMOVAL	CU YD	14
------------------	-------	----