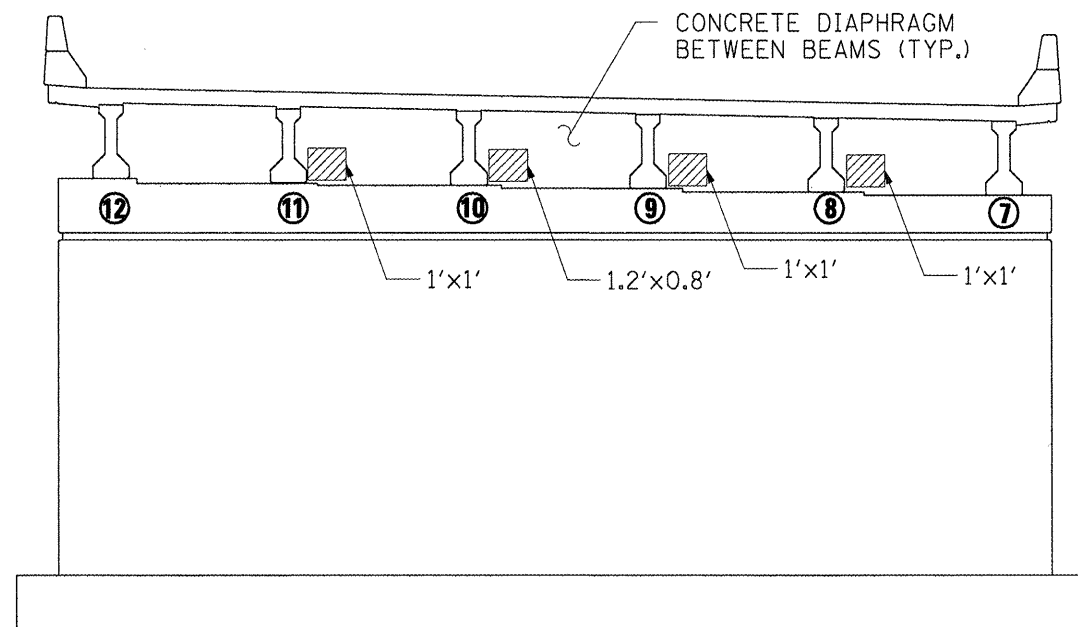
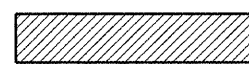


**LOOKING AHEAD  
SOUTH FACE**

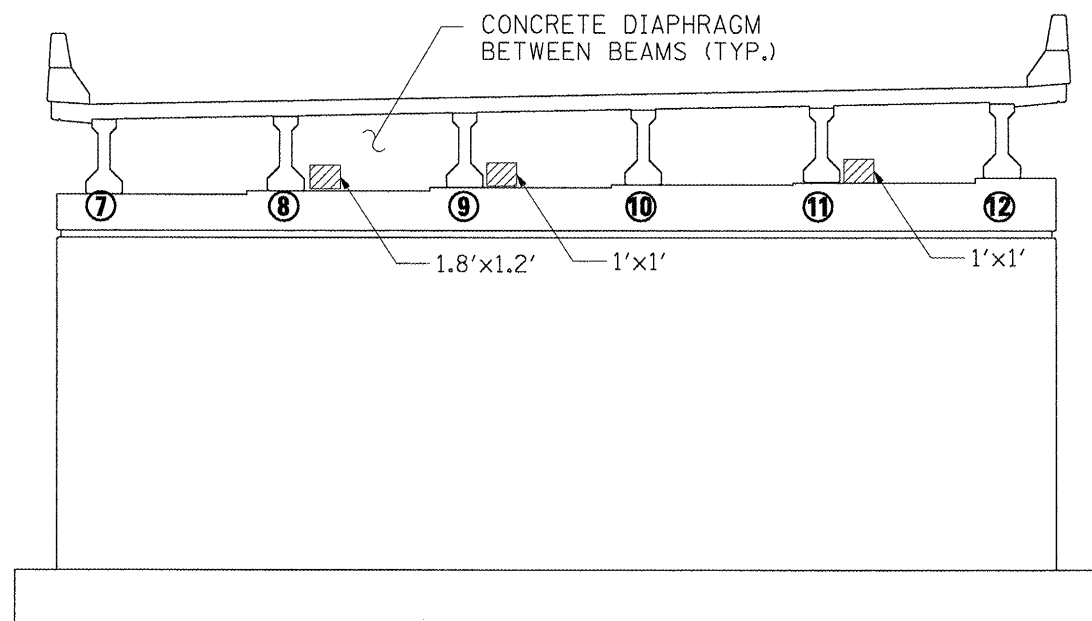


**LOOKING BACK  
NORTH FACE**

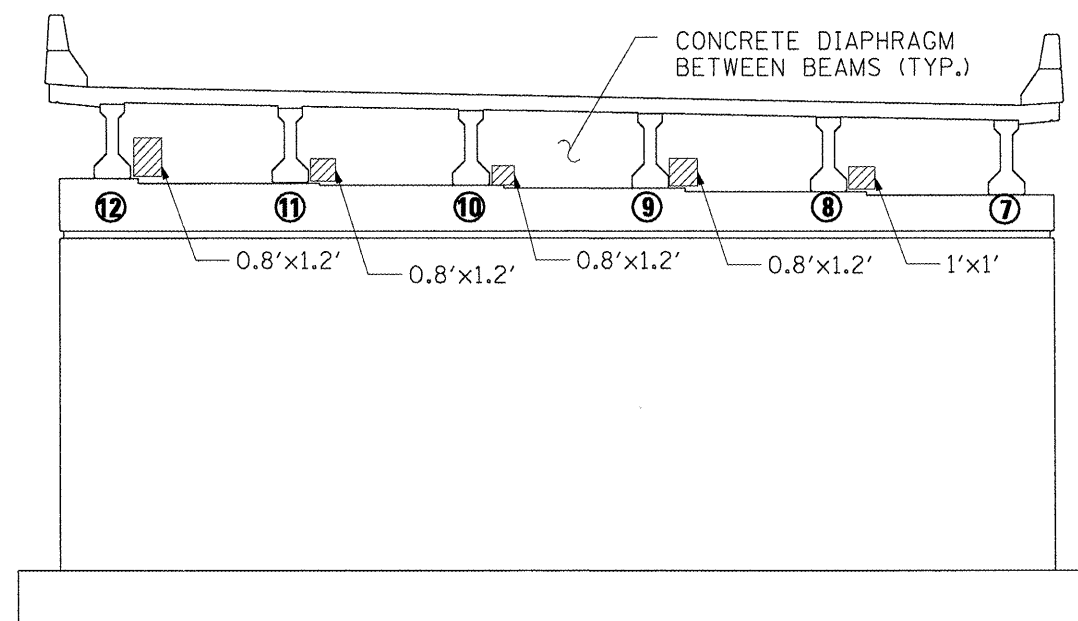


**STRUCTURAL REPAIR OF CONCRETE  
(DEPTH EQUAL TO OR LESS THEN 5")**

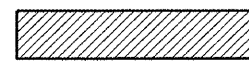
**PIER 1**



**LOOKING AHEAD  
SOUTH FACE**



**LOOKING BACK  
NORTH FACE**



**STRUCTURAL REPAIR OF CONCRETE  
(DEPTH EQUAL TO OR LESS THEN 5")**

**PIER 2**

|  |                         |                          |                 |
|--|-------------------------|--------------------------|-----------------|
| FILE NAME =                            | USER NAME = woodshankr1 | DESIGNED - RON WOODSHANK | REVISED - ----- |
| c:\pwwork\PIWIDOT\WOODSHANKRL\dms91655 | 03-66890-detail.dgn     | DRAWN - RON WOODSHANK    | REVISED - ----- |
| PLOT SCALE = 100.0000' / IN.           | CHECKED - -----         | REVISED - -----          | REVISED - ----- |
| PLOT DATE = Mar 25, 2009 - 06:59:17 AM | DATE - -----            | REVISED - -----          | REVISED - ----- |

**STATE OF ILLINOIS  
DEPARTMENT OF TRANSPORTATION**

**PIER DETAILS  
SN 050-0170(NB)**

|                                |                   |                         |                 |                          |
|--------------------------------|-------------------|-------------------------|-----------------|--------------------------|
| F.A.I. RTE. 39                 | SECTION (50-7B)-2 | COUNTY LASALLE          | TOTAL SHEETS 29 | SHEET NO. 24             |
| SCALE: -----                   |                   | SHEET NO. 5 OF 8 SHEETS |                 | STA. ----- TO STA. ----- |
| FED. ROAD DIST. NO. - ILLINOIS |                   |                         |                 |                          |
| CONTRACT NO. 66890             |                   |                         |                 |                          |