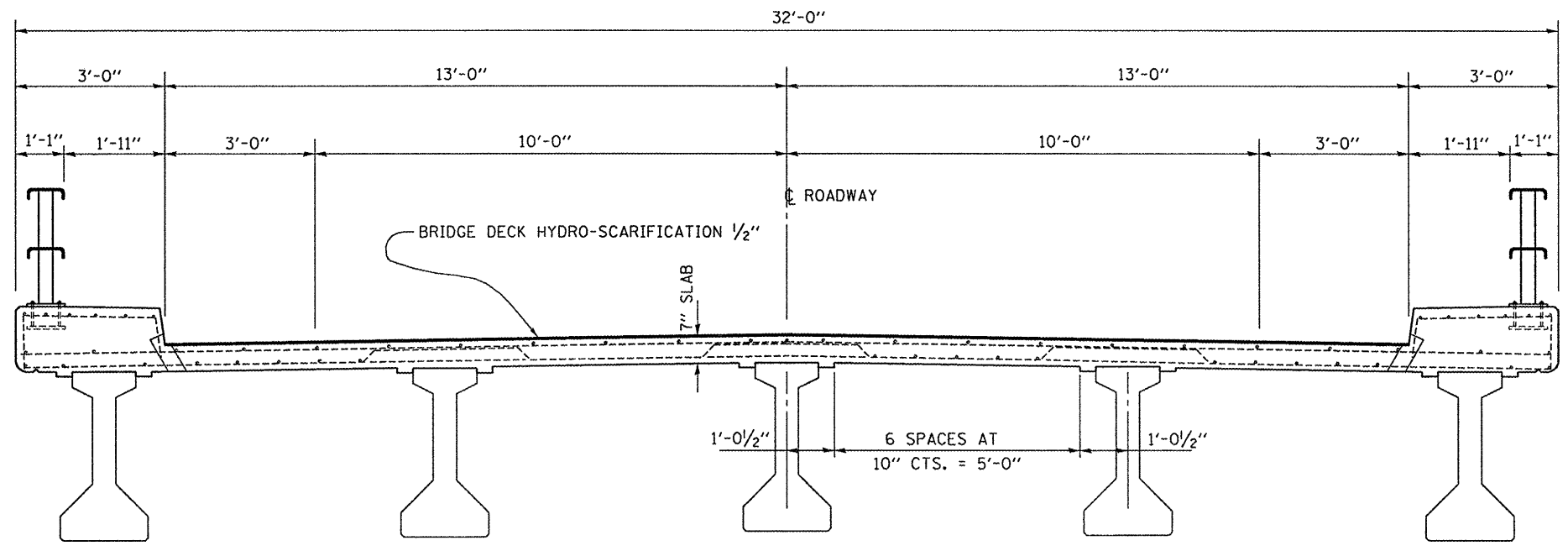


N. ABUT. PIER 1 PIER 2 PIER 3 S. ABUT.

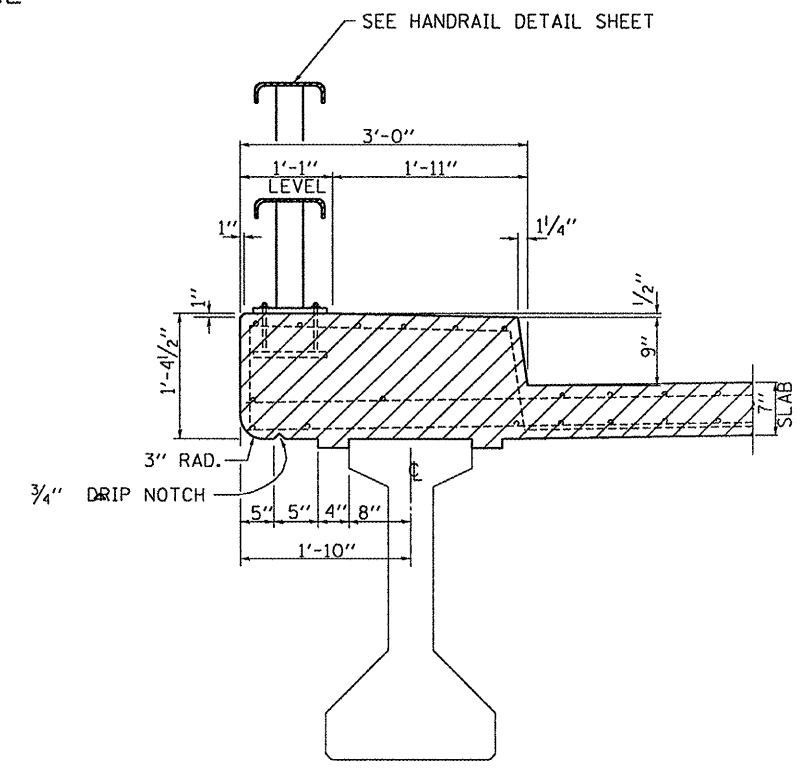
**PLAN**

SECTION A-A: SEE SHEET 6 OF 18  
 SECTION B-B: SEE SHEET 6 OF 18  
 SECTION C-C: SEE SHEET 7 OF 18  
 SECTION D-D: SEE SHEET 8 OF 18

BRIDGE DECK HYDRO-SCARIFICATION (1/2") CONCRETE REMOVAL



**CROSS SECTION**



**CURB SECTION**  
AT DECK JOINTS

S.N. 050-0089

FILE NAME =	USER NAME = #USER#	DESIGNED - RON WOODSHANK	REVISED -	<b>STATE OF ILLINOIS DEPARTMENT OF TRANSPORTATION</b>	<b>EXISTING PLAN AND CROSS SECTION</b>	F.A.I. RTE. 80	SECTION (50-4I)	COUNTY LASALLE	TOTAL SHEETS 25	SHEET NO. 9		
#FILE#	PLOT SCALE = #SCALE#	DRAWN - RON WOODSHANK	REVISED -			SCALE: _____	SHEET NO. 2 OF 18 SHEETS	STA. _____	TO STA. _____	CONTRACT NO. 66935		
	PLOT DATE = #DATE#	CHECKED -	REVISED -			ILLINOIS						
		DATE -	REVISED -									