

N. ABUT.

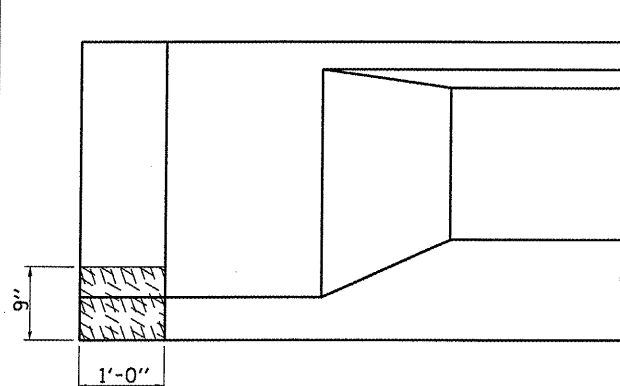
PIER 1

PIER 2

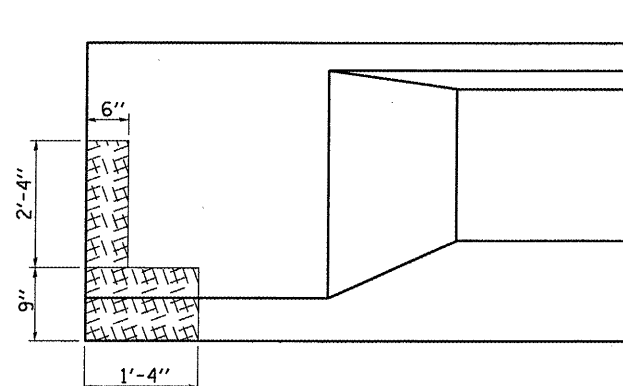
PIER 3

S. ABUT.

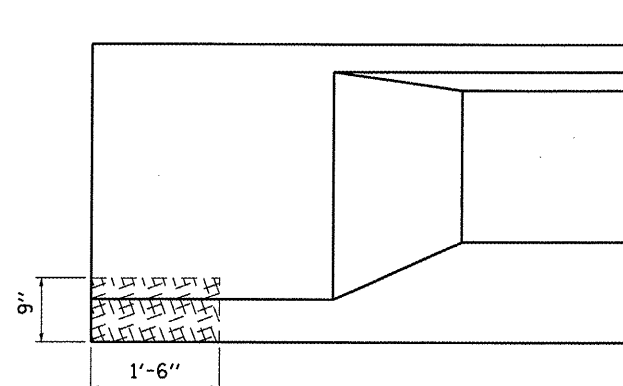
FRAMING PLAN



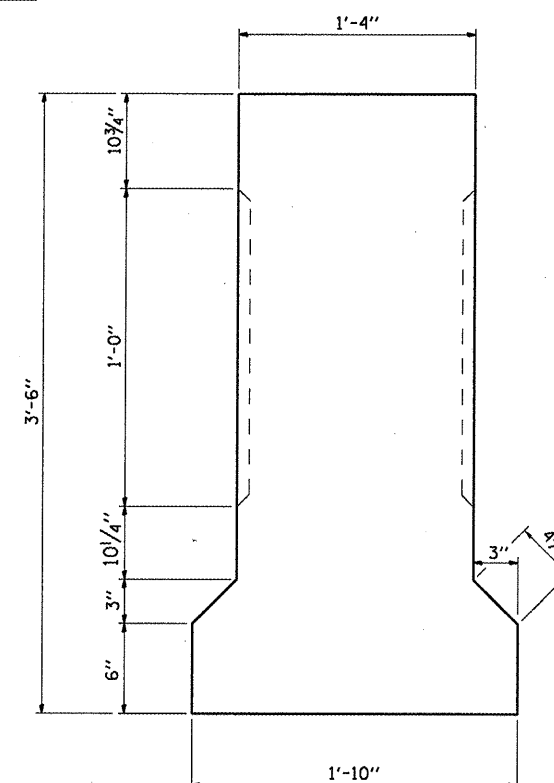
A



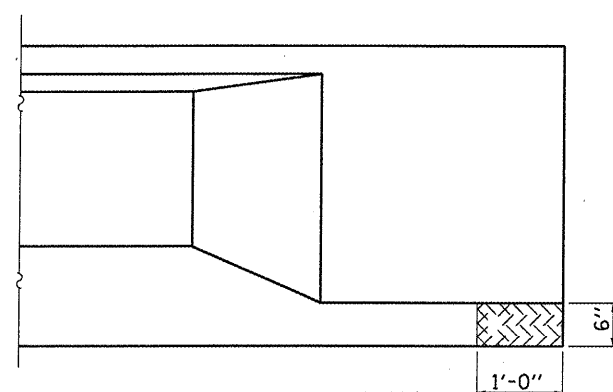
C



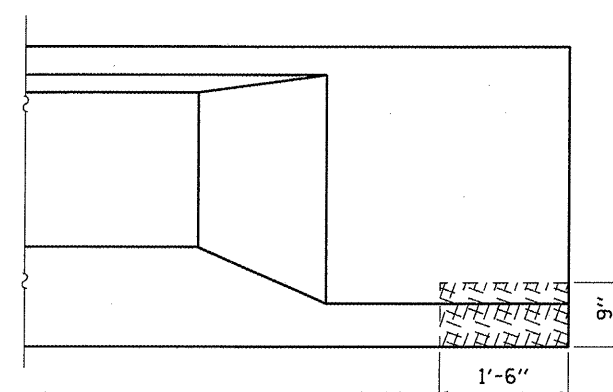
E



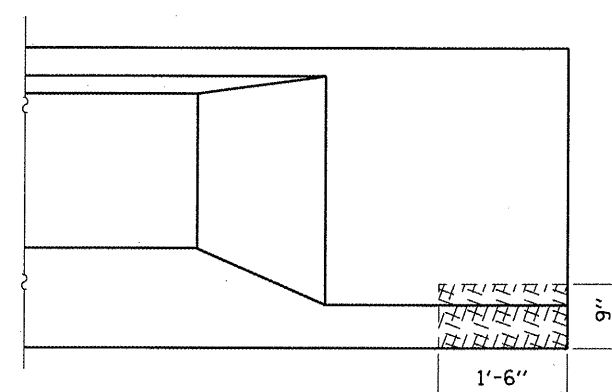
BEAM END SECTION



B



D



F



STRUCTURAL REPAIR
OF CONCRETE (DEPTH
EQUAL TO OR LESS THEN 5")

FILE NAME =	USER NAME = woodshankr1	DESIGNED - RON WOODSHANK	REVISED -
os:\pw\work\PIWIDOT\WOODSHANKRL\dms91858	D366935-details.dgn	DRAWN - RON WOODSHANK	REVISED -
	PLOT SCALE = 40.0000' / IN.	CHECKED -	REVISED -
	PLOT DATE = Apr 07, 2009 - 07:52:07 AM	DATE -	REVISED -

STATE OF ILLINOIS
DEPARTMENT OF TRANSPORTATION

FRAMING PLAN

SCALE: SHEET NO. 4 OF 18 SHEETS STA. TO STA.

F.A.I. RTE.	SECTION	COUNTY	TOTAL SHEETS	SHEET NO.
80	(50-41)	LASALLE	25	11
CONTRACT NO. 66935				

ILLINOIS