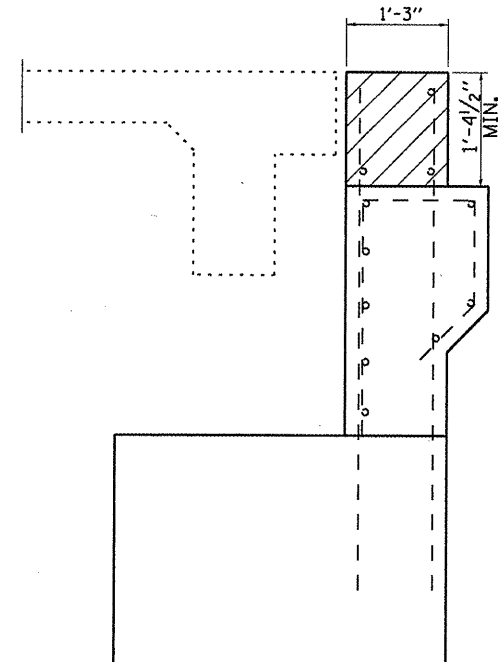
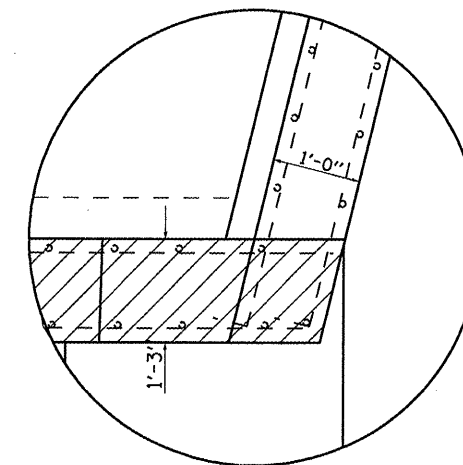


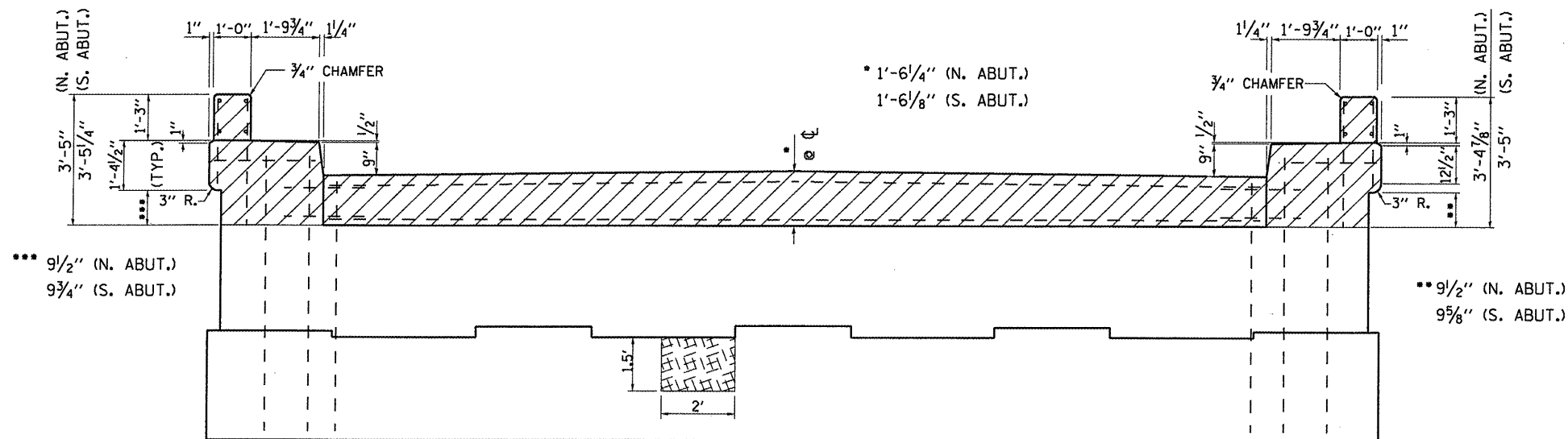
PLAN
 NORTH ABUTMENT SHOWN
 SOUTH ABUTMENT SIMILAR
 THRU 180° ROTATION



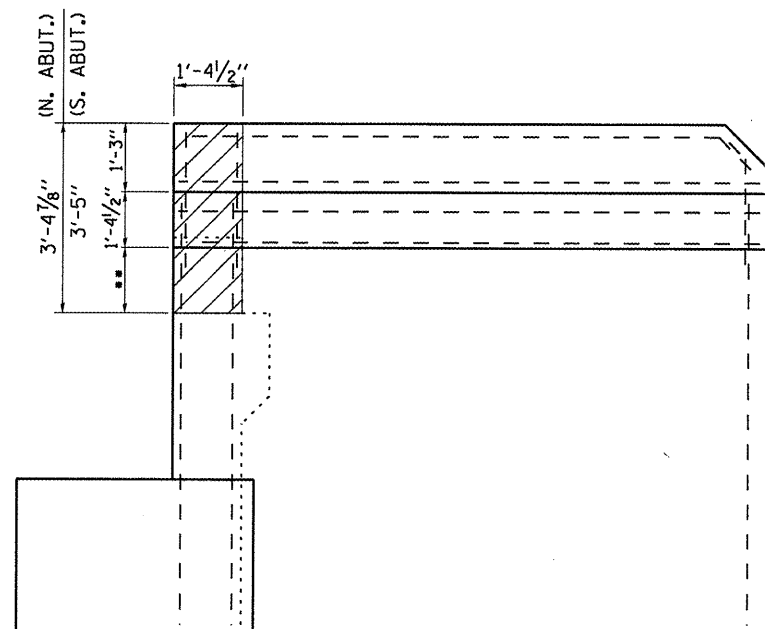
ABUT. SECTION



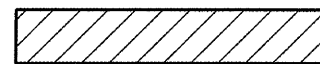
CORNER DETAIL



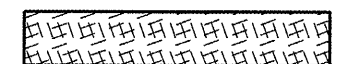
ELEVATION



WING WALL ELEVATION
 OUTSIDE FACE



CONCRETE REMOVAL



STRUCTURAL REPAIR
 OF CONCRETE
 (NORTH ABUT. ONLY)

FILE NAME =	USER NAME = woodshankr1	DESIGNED - RON WOODSHANK	REVISED -	STATE OF ILLINOIS DEPARTMENT OF TRANSPORTATION	EXISTING ABUTMENT DETAILS	F.A.I. RTE.	SECTION	COUNTY	TOTAL SHEETS	SHEET NO.	
ct:\pwork\WOODSHANKR1\dms91658	0366935-details.dgn	DRAWN - RON WOODSHANK	REVISED -			80	(50-41)	LASALLE	25	12	
PLOT SCALE = 40.0000' / IN.	CHECKED -	REVISED -	REVISED -			CONTRACT NO. 66935					
PLOT DATE = Apr 07, 2009 - 07:52:12 AM	DATE -	REVISED -	REVISED -			ILLINOIS					