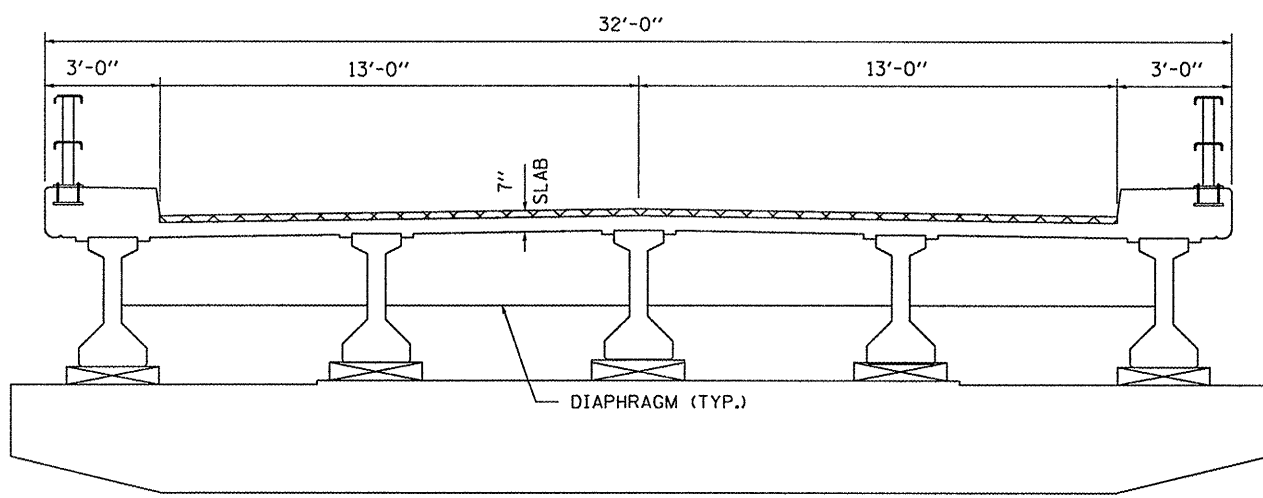
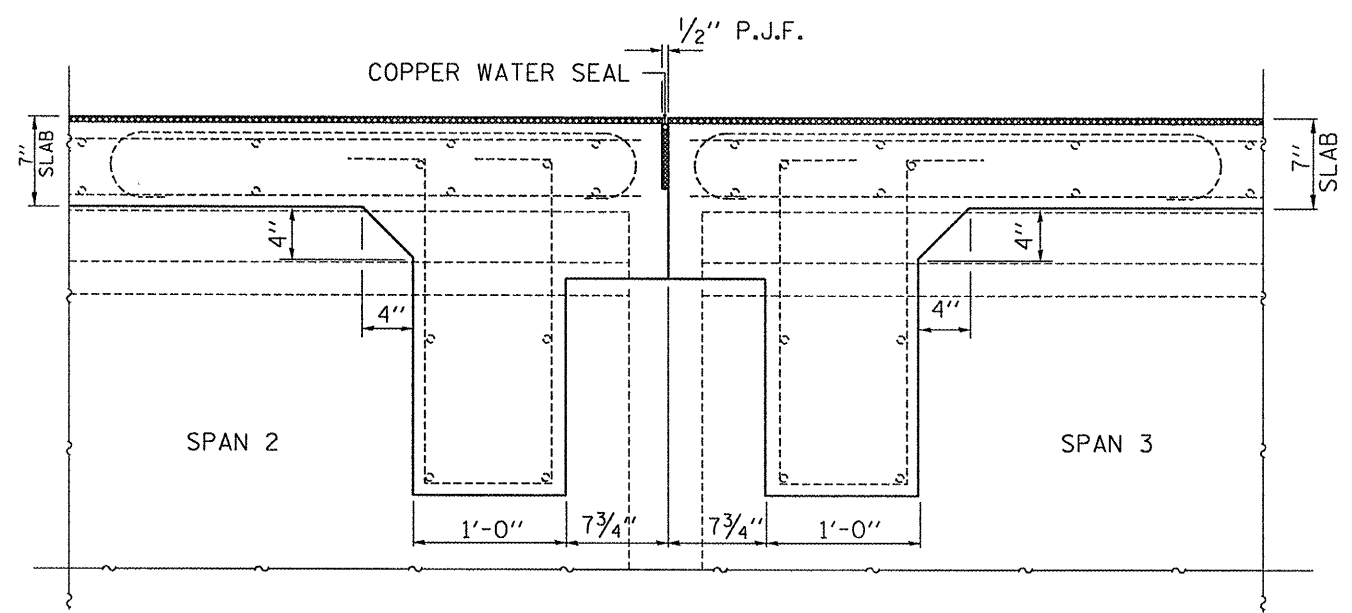


NORTH ELEVATION
PIER 2 - SPAN 2



SOUTH ELEVATION
PIER 2 - SPAN 3



SECTION D-D
SEE SHEET 2 OF 18

- NOTES**
- 1/2 " P.J.F. SHALL BE REMOVED THRU BRIDGE DECK HYDRO-SCARIFICATION AREA.
 - COPPER WATER SEAL SHALL BE REMOVED THRU BRIDGE DECK HYDRO-SCARIFICATION AREA.

 BRIDGE DECK HYDRO-SCARIFICATION (2 1/4")

FILE NAME =	USER NAME = #USER#	DESIGNED - RON WOODSHANK	REVISED -
#FILE#		DRAWN - RON WOODSHANK	REVISED -
	PLOT SCALE = #SCALE#	CHECKED -	REVISED -
	PLOT DATE = #DATE#	DATE -	REVISED -

STATE OF ILLINOIS
DEPARTMENT OF TRANSPORTATION

EXISTING SLAB DETAILS AT PIER 2

SCALE: SHEET NO. 8 OF 18 SHEETS STA. TO STA.

F.A.I. RTE.	SECTION	COUNTY	TOTAL SHEETS	SHEET NO.
80	(50-41)	LASALLE	25	15
CONTRACT NO. 66935			ILLINOIS	