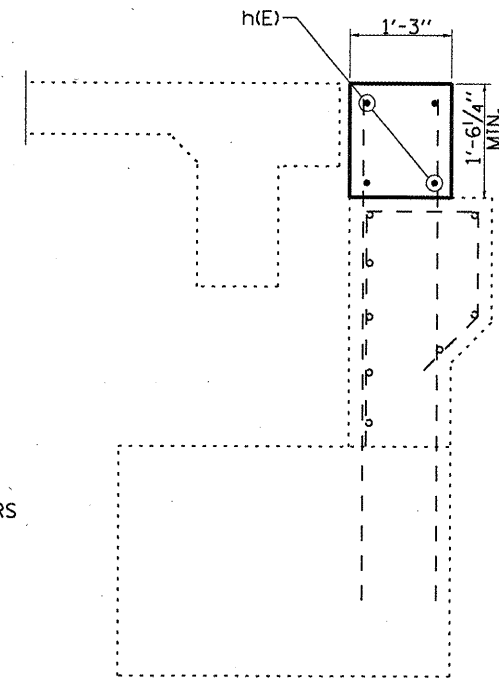
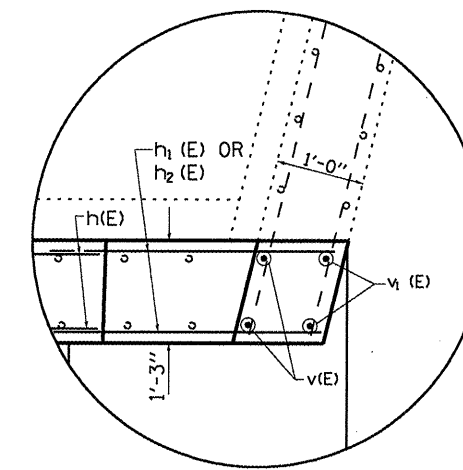


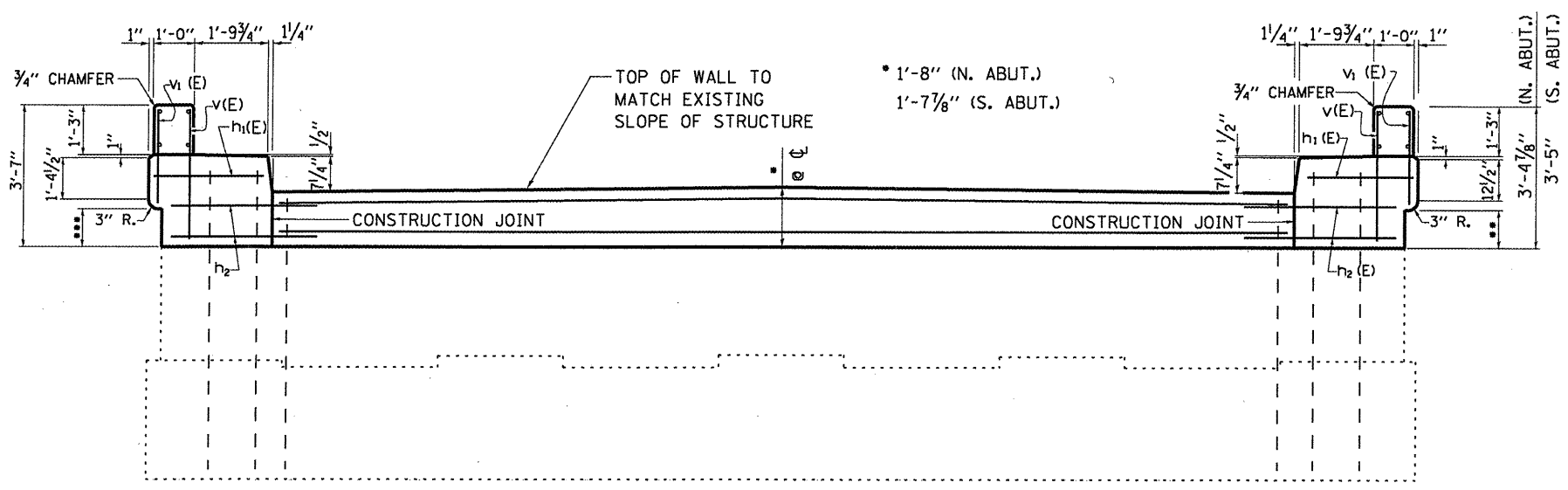
**PLAN**



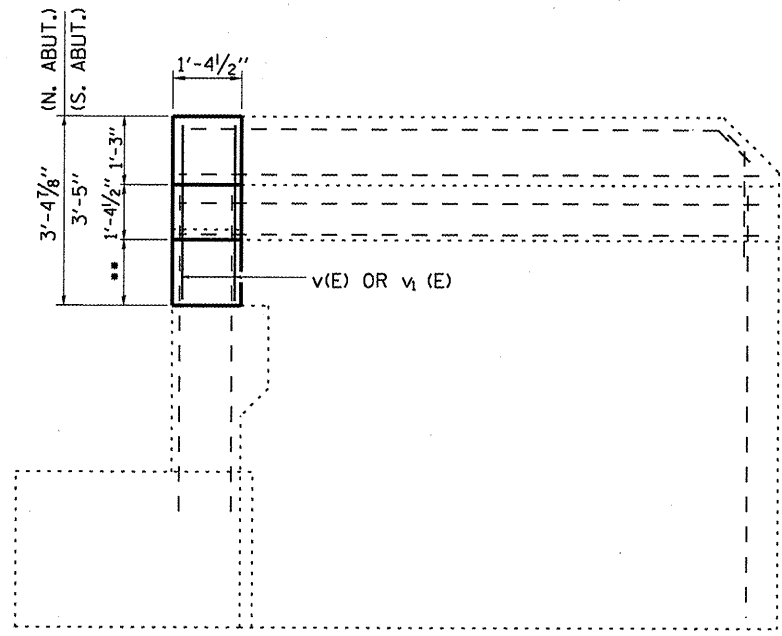
**SECTION THRU ABUT.**



**CORNER DETAIL**



**ELEVATION**



**WING WALL ELEVATION**

FILE NAME =	USER NAME = woodshankr1	DESIGNED - RON WOODSHANK	REVISED -
cd:\pwwork\pwwd01\WOODSHANKR1\dms91659	D366935-details.dgn	DRAWN - RON WOODSHANK	REVISED -
PLOT SCALE = 40.0000 / IN.	CHECKED -	REVISOR -	REVISED -
PLOT DATE = Apr 07, 2009 - 07:53:00 AM	DATE -	REVISOR -	REVISED -

**STATE OF ILLINOIS  
DEPARTMENT OF TRANSPORTATION**

**PROPOSED ABUTMENT DETAILS**

SCALE: \_\_\_\_\_ SHEET NO. 11 OF 18 SHEETS STA. \_\_\_\_\_ TO STA. \_\_\_\_\_

F.A.I. RTE.	SECTION	COUNTY	TOTAL SHEETS	SHEET NO.
80	(50-4)I	LASALLE	25	18
ILLINOIS			CONTRACT NO. 66935	