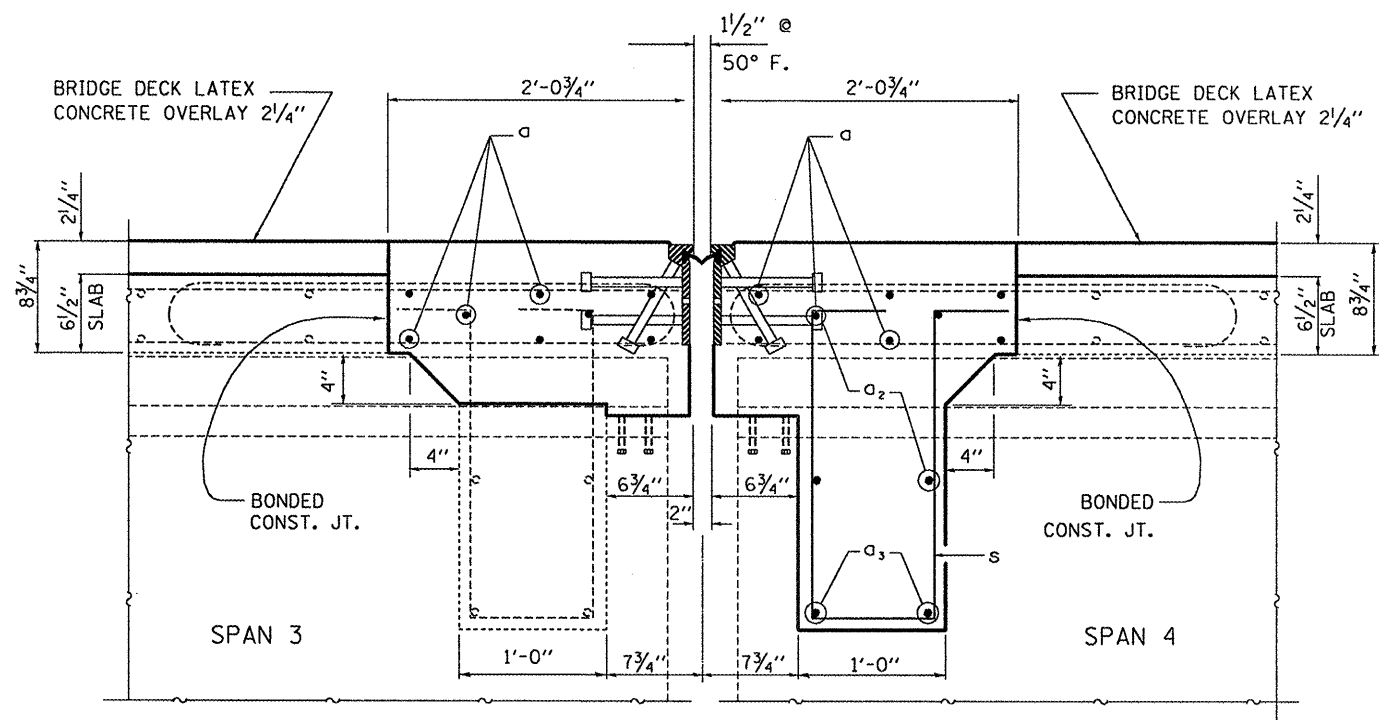
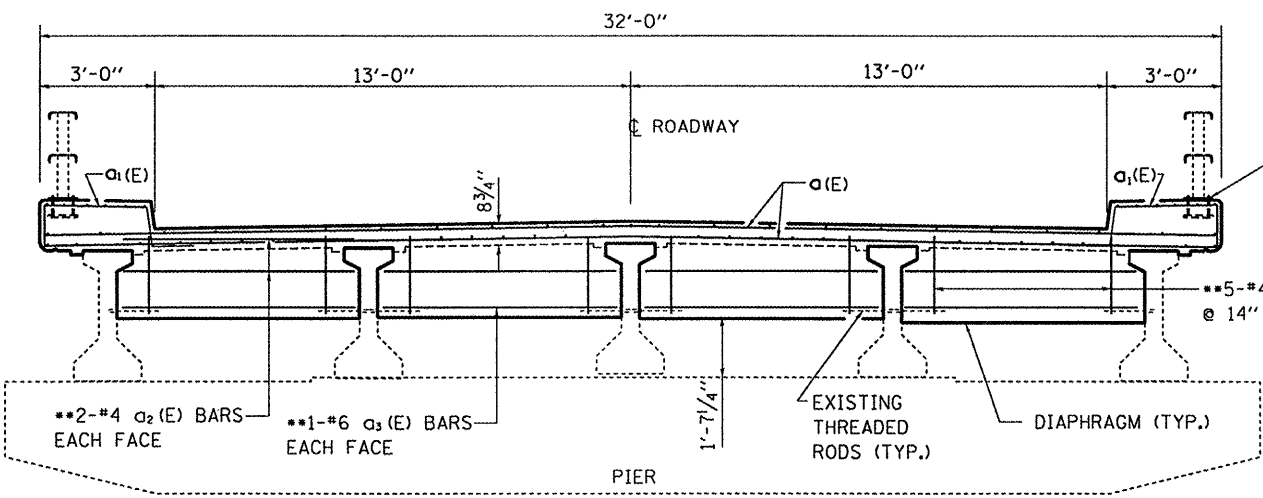


NORTH ELEVATION
PIER 3 - SPAN 3

NEW ANCHOR ASSEMBLIES
(TYP.) AT DECK JOINTS



SECTION E'-E'



SOUTH ELEVATION
PIER 3 - SPAN 4

NEW ANCHOR ASSEMBLIES
(TYP.) AT DECK JOINTS

5-#4 s(E) BARS
@ 14" cts.

2-#4 a₂(E) BARS
EACH FACE

1-#6 a₃(E) BARS
EACH FACE

EXISTING
THREADED
RODS (TYP.)

•• TYPICAL BETWEEN BEAMS

FILE NAME =	USER NAME = *USER*	DESIGNED - RON WOODSHANK	REVISED -
*FILE#		DRAWN - RON WOODSHANK	REVISED -
	PLOT SCALE = *SCALE*	CHECKED -	REVISED -
	PLOT DATE = *DATE*	DATE -	REVISED -

STATE OF ILLINOIS
DEPARTMENT OF TRANSPORTATION

PROPOSED SLAB DETAILS AT PIER 3

SCALE: _____ SHEET NO. 15 OF 18 SHEETS STA. _____ TO STA. _____

F.A.I. RTE.	SECTION	COUNTY	TOTAL SHEETS	SHEET NO.
80	(50-41)	LASALLE	25	22
ILLINOIS			CONTRACT NO. 66935	