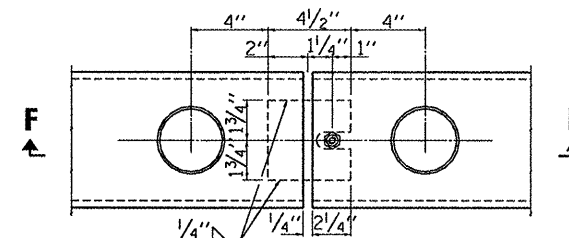
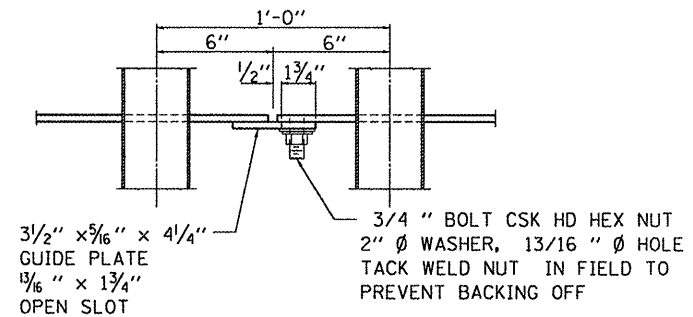


INSIDE ELEVATION

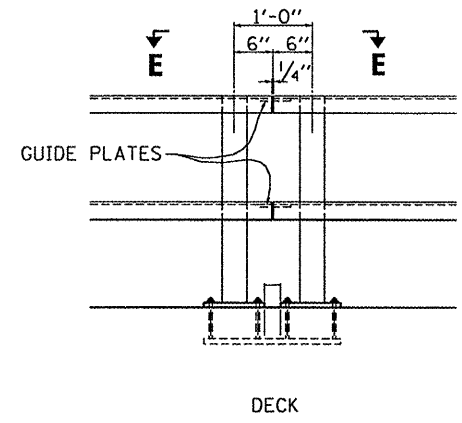
* REMOVE AND RE-INSTALL HANDRAIL
 ** REMOVE AND REPLACE ANCHOR ASSEMBLY



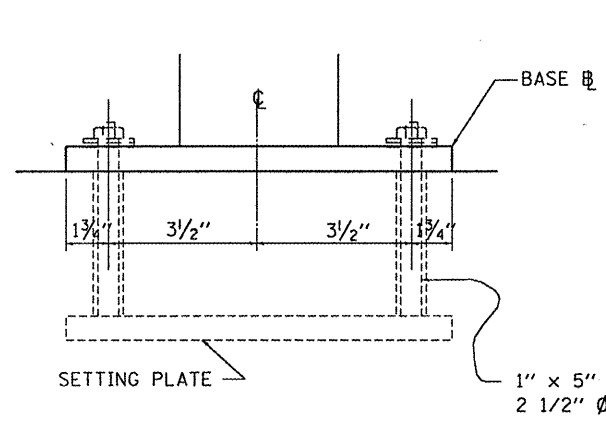
SECTION E-E



SECTION F-F

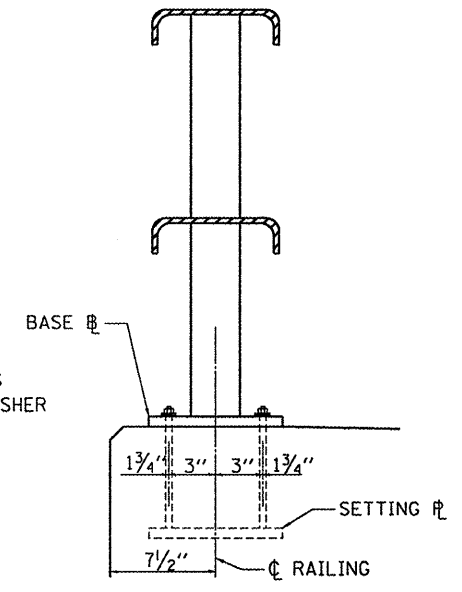


POSTS E

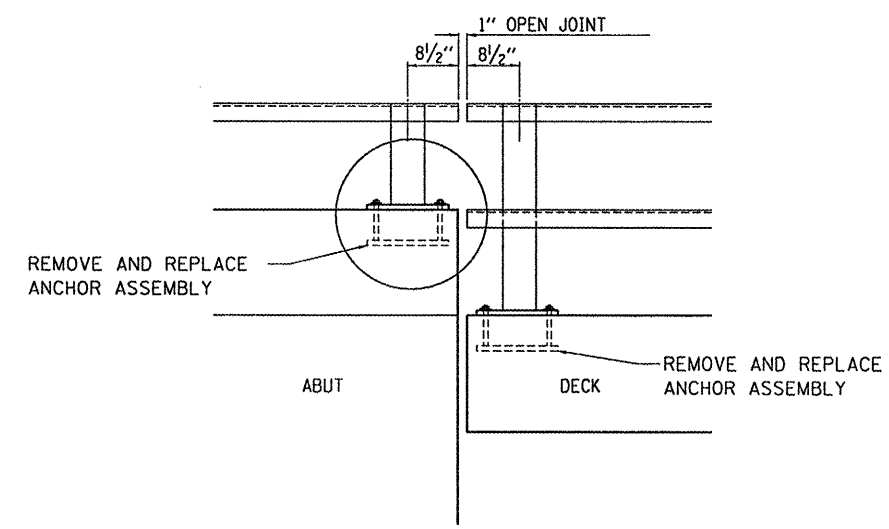


ANCHOR DETAIL FOR POST "S", "X", "Y"

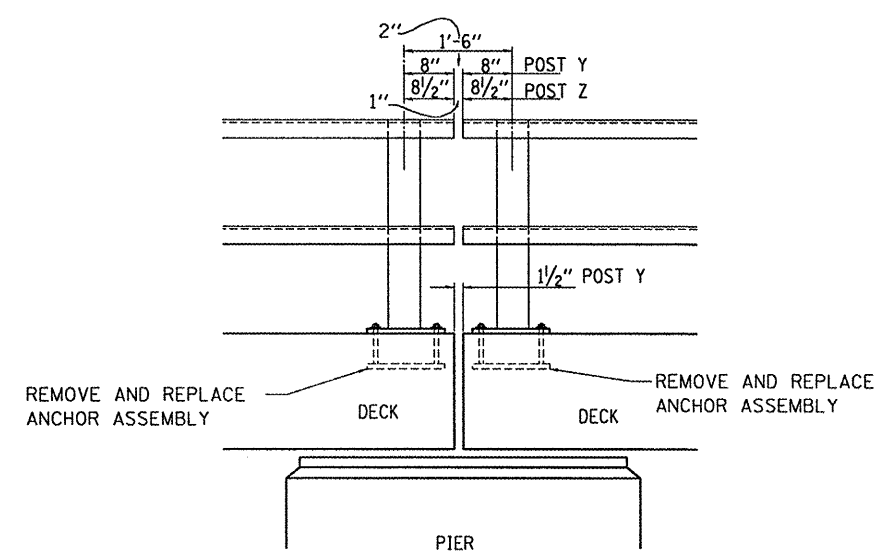
1" x 5" STUD BOLTS
 2 1/2" Ø x 1/4" WASHER



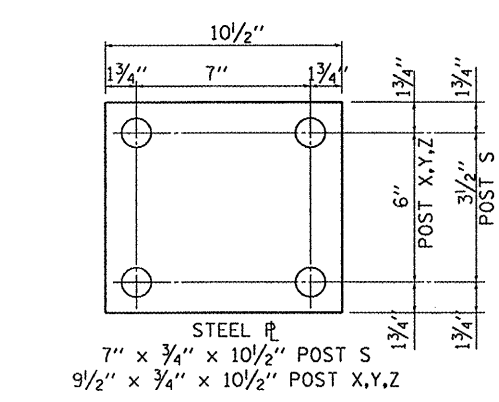
SECTION G-G



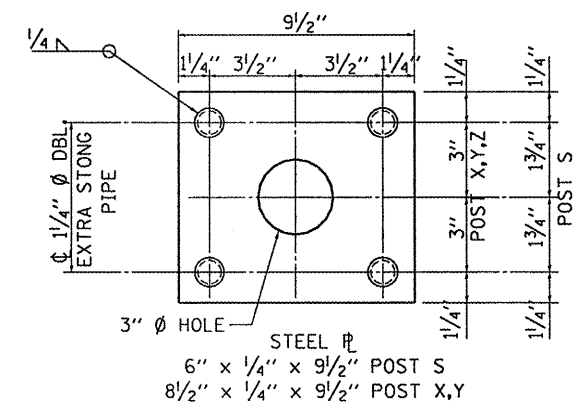
END POSTS S & X



END POST Y



BASE PLATE - END POSTS (S,X,Y)
 (16 REQUIRED)



SETTLING PLATE - END POSTS (S,X,Y)
 (16 REQUIRED)

FILE NAME =	USER NAME = #USER#	DESIGNED - RON WOODSHANK	REVISED -	STATE OF ILLINOIS DEPARTMENT OF TRANSPORTATION	HANDRAIL DETAILS	F.A.I. RTE.	SECTION	COUNTY	TOTAL SHEETS	SHEET NO.	
#FILE#	PLOT SCALE = #SCALE#	DRAWN - RON WOODSHANK	REVISED -			80	(50-4I)	LASALLE	25	23	
	PLOT DATE = #DATE#	CHECKED -	REVISED -			CONTRACT NO. 66935					
		DATE -	REVISED -			ILLINOIS					
						SCALE: _____	SHEET NO. 16	OF 18 SHEETS	STA. _____	TO STA. _____	