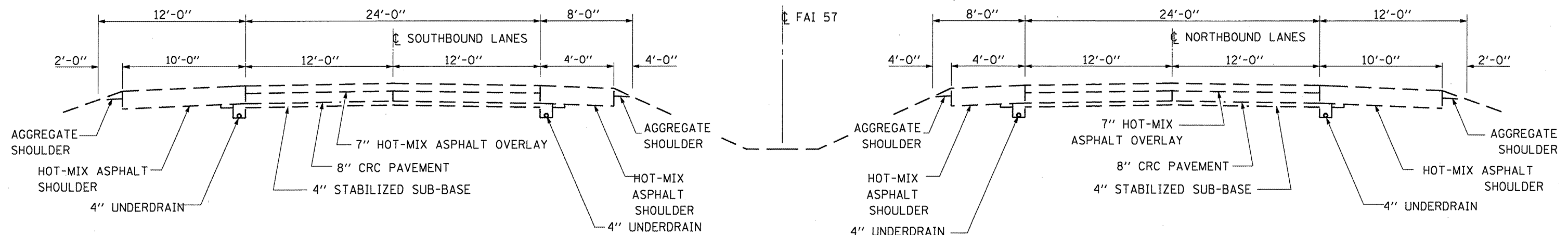


TYPICAL SECTION 1

M.P. 263.49 TO M.P. 281.04



TYPICAL SECTION 2

M.P. 281.04 TO M.P. 285.54

FILE NAME =	USER NAME = woodshankr1	DESIGNED - RLW	REVISED -	STATE OF ILLINOIS DEPARTMENT OF TRANSPORTATION	TYPICAL SECTIONS	F.A.I. RTE.	SECTION	COUNTY	TOTAL SHEETS	SHEET NO.	
ct:\pw\work\PWIDOT\WOODSHANKRL\dms91716\03-66966-detail.dgn	PLOT SCALE = 100.0000' / IN.	DRAWN - RLW	REVISED -			57	D3 PAVEMENT PATCHING 2010-4	IROQUOIS	9	4	
PLOT DATE = Mar 26, 2009 - 11:15:56 AM	DATE -	CHECKED -	REVISED -			CONTRACT NO. 66966					
						FED. ROAD DIST. NO. ILLINOIS					