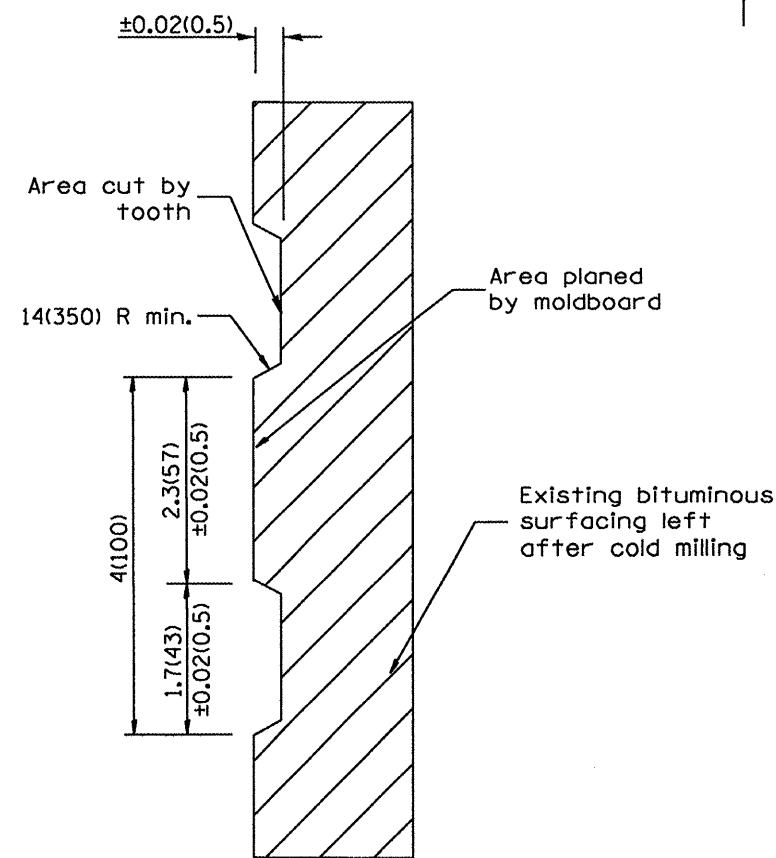


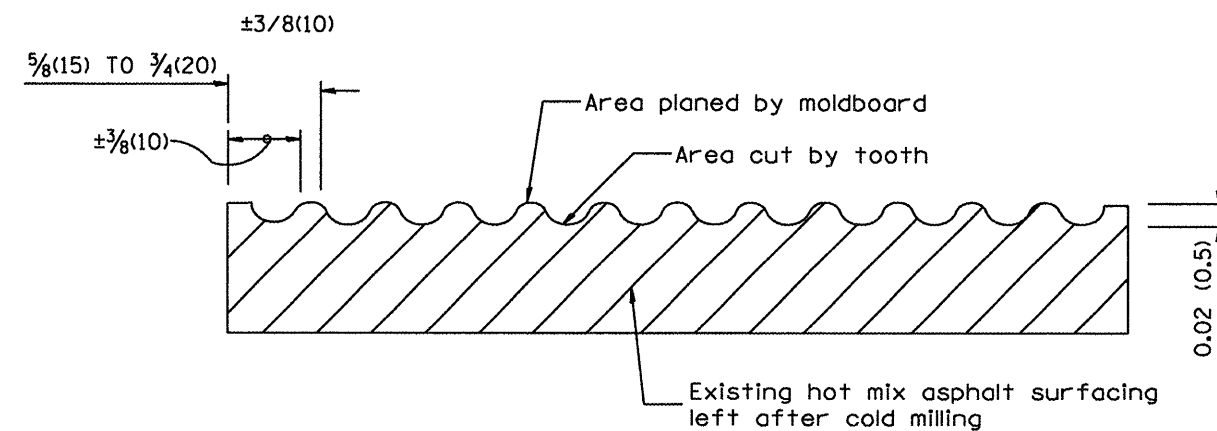
PLAN

General notes:

1. Coldmilling shall consist of two processes: Cutting with carbide teeth mounted on a rotating drum, and planing with a moldboard mounted immediately behind the cutting drum.
2. Other similar patterns will be acceptable if they consist of a smooth, flat, planed surface interspersed with a pattern of discontinuous longitudinal striations.



SECTION A-A



SECTION B-B PROJECTED
PERPENDICULAR TO CENTERLINE

All dimensions are in inches (millimeters) unless otherwise noted.

01-01-97	BENUM..C:104.01..NEW REVISION BOX	I.P.																	
04-20-98	REMOVED MILLING DETAIL FROM STANDARD	J.A.																	
09-08-98	CORRECT NOTE LEADER PLACEMENT	B.W.																	
10-16-06	REVISED TO 2007 SPEC.	M.A.																	

STATE OF ILLINOIS
DEPARTMENT OF TRANSPORTATION

HOT MIX ASPHALT SURFACE REMOVAL (COLD MILLING)

NOT TO SCALE

CADD SID: 440001-04

F.A.P. RTE.	SECTION	COUNTY	TOTAL SHEETS	SHEET NO.
22	04.128RS-3;129RS-3	STARK	25	19
CONTRACT NO. 68499				
FED. ROAD DIST. NO. ILLINOIS FED. AID PROJECT				