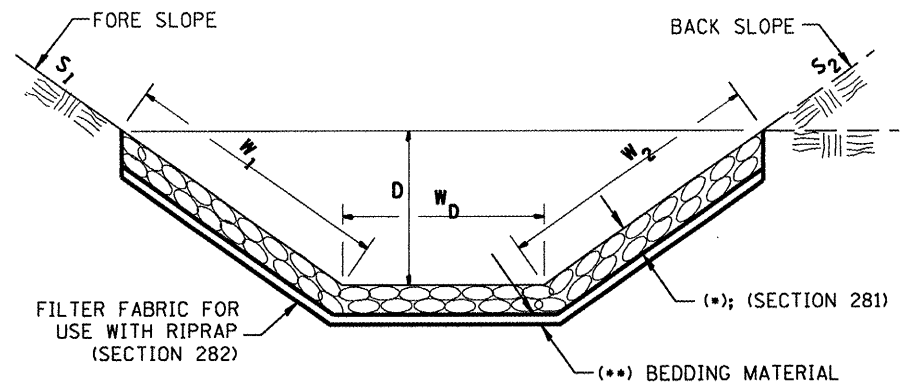


Designer NOTES:  
 1. Designer to modify this Special Detail Sheet, as needed for inclusion in plans.  
 2. (\*) Designer to specify pay item including material, quality, and gradation.  
 3. (\*\*) Designer to specify thickness of bedding material.  
 4. Include District Special Provision if needed.

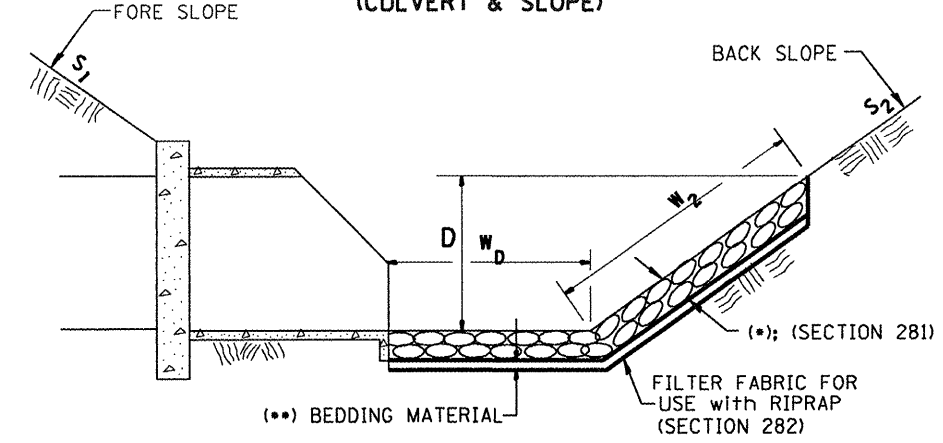
**CASE 1  
(DITCH)**



(*)				
LOCATION	WIDTH (1)	LENGTH	RIPRAP	FABRIC
STA TO STA	lin ft (m)	lin ft (m)	tons (m tons)	sq yds (m <sup>2</sup> )
TOTAL				

(1) WIDTH =  $W_1 + W_2 + W_D$

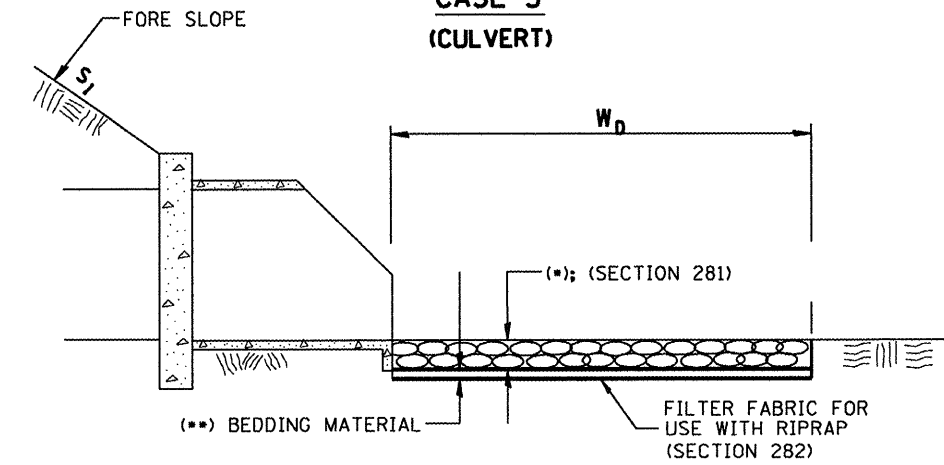
**CASE 2  
(CULVERT & SLOPE)**



(*)				
LOCATION	WIDTH (1)	LENGTH	RIPRAP	FABRIC
STA TO STA	lin ft (m)	lin ft (m)	tons (m tons)	sq yds (m <sup>2</sup> )
TOTAL				

(1) WIDTH =  $W_2 + W_D$

**CASE 3  
(CULVERT)**



(*)				
LOCATION	WIDTH (1)	LENGTH	RIPRAP	FABRIC
STA TO STA	lin ft (m)	lin ft (m)	tons (m tons)	sq yds (m <sup>2</sup> )
STA. 199+46.25, 120' RT	20	20	30	45
STA. 200+75.00, 115' RT	20	20	30	45
TOTAL				

(1) WIDTH =  $W_D$

All slope ratios are expressed as units of vertical displacement to units of horizontal displacement (V:H).  
 All dimensions are in inches (millimeters) unless otherwise noted.