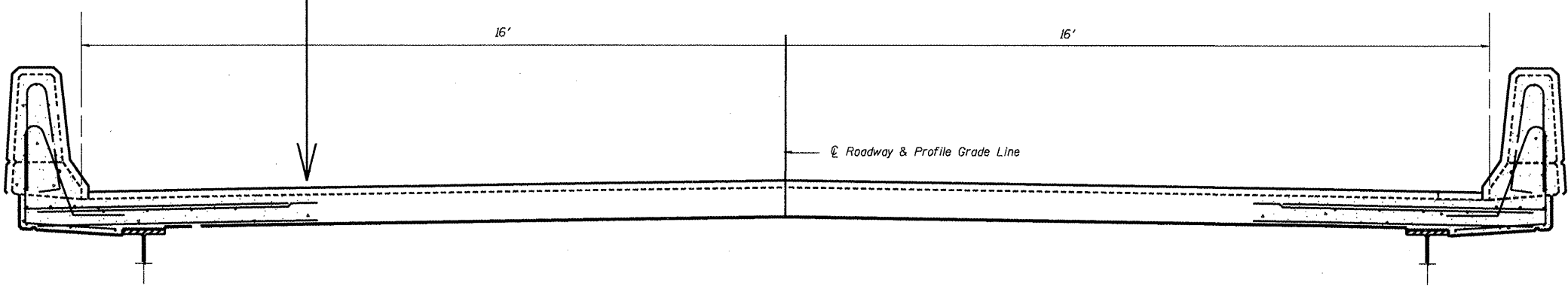


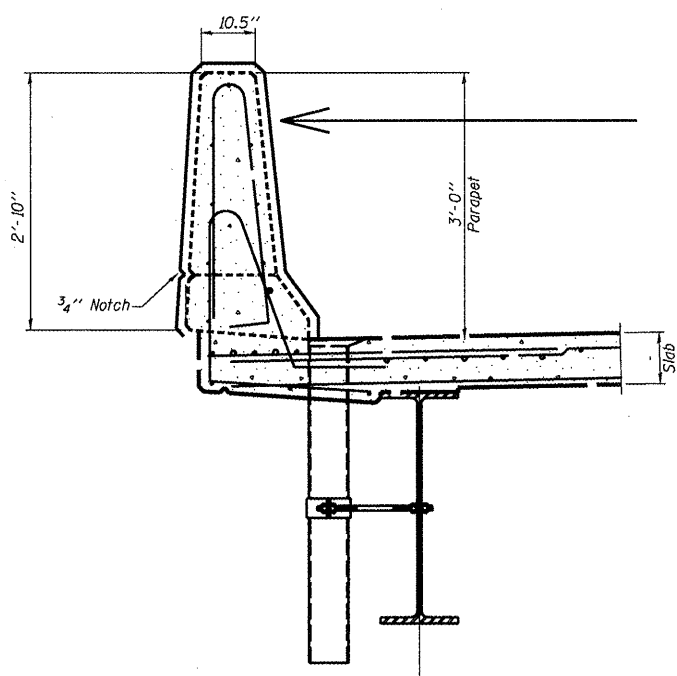
CONCRETE HEALER SEALER
APPLIED TO DECK ONLY.



CROSS SECTION
(Looking)

NOTE

SURFACE FILLER, SPECIAL PROTECTIVE COAT (SPEICAL) APPLIED TO PARAPET FRONT, TOP, AND BACK SURFACES END TO END. (INCLUDING PROTIONS ON BRIDE APPROACHES)



SECTION THRU PARAPET

FILE NAME =
VAR BRIDGE SEALER.DGN

USER NAME = oppenzellerJJ
PLOT SCALE = 2.0645' / IN.
PLOT DATE = 3/20/2009

DESIGNED -
DRAWN -
CHECKED -
DATE -

REVISED -
REVISED -
REVISED -
REVISED -

STATE OF ILLINOIS
DEPARTMENT OF TRANSPORTATION

TYPICAL SECTION
SN. 036-0009 DUGOUT CREEK
SCALE: SHEET NO. OF SHEETS STA. TO STA.

| | | | | |
|--------------------|--------------------------|------------|---------------------------|-----------|
| F.A. RTE. | SECTION | COUNTY | TOTAL SHEETS | SHEET NO. |
| VAR. | (113B-2)106BC(128)BR11-1 | PEO./HEND. | | 11 |
| CONTRACT NO. 68879 | | | ILLINOIS FED. AID PROJECT | |