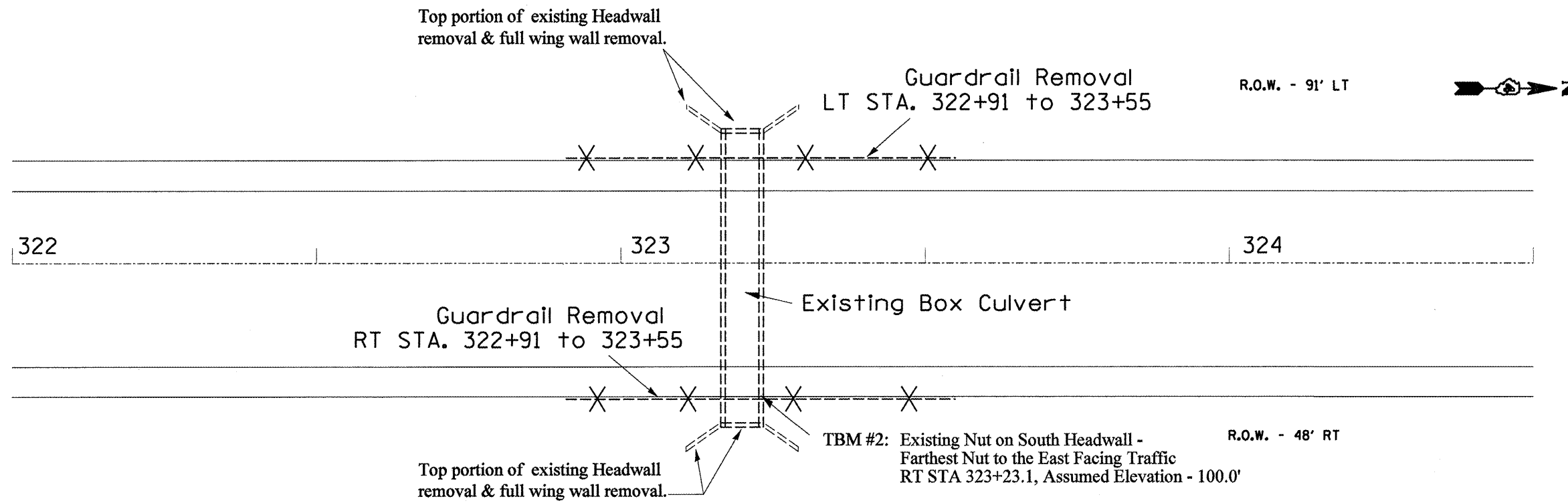
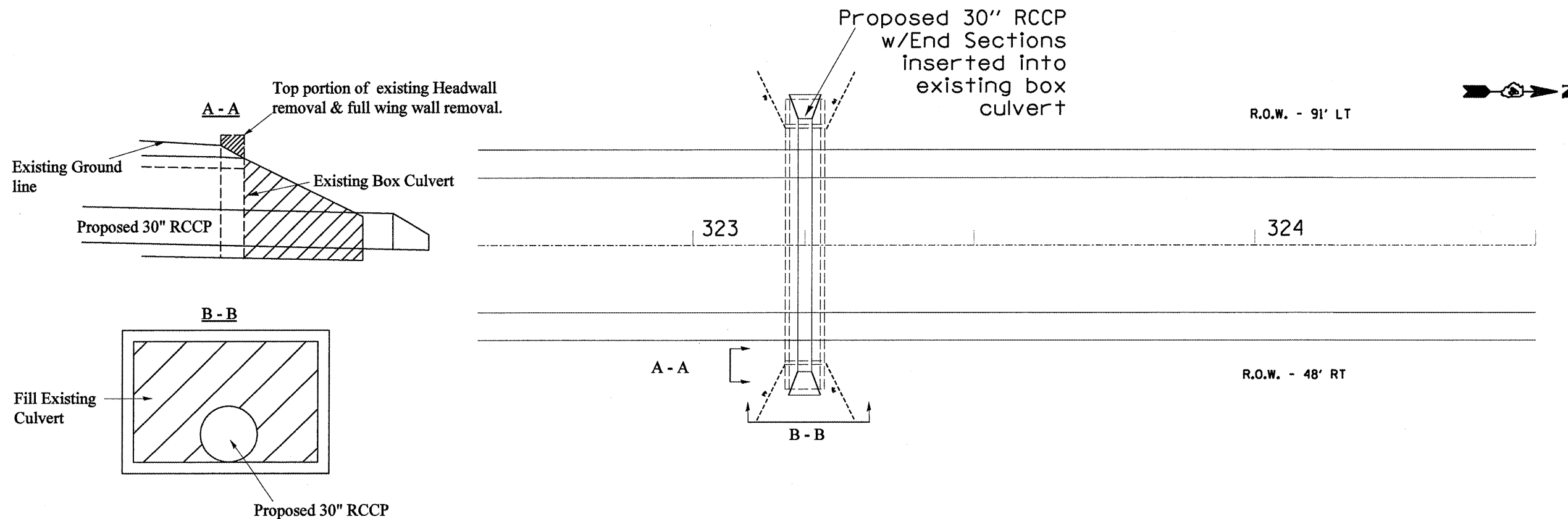


FAP	FAU	SECTION	COUNTY	TOTAL SHEETS	SHEET NO.
656	6757		TAZEWELL	32	18
IL 29	US 150	*			

\*D-4 STRUCTURE REPAIR 2008



**REMOVAL  
PLANS  
US 150**



**PROPOSED  
PLANS  
US 150**