

LEGEND

- ① EXISTING AGGREGATE BASE COURSE, ±4"
- ② EXISTING CONCRETE PAVEMENT, 10"-13"
- ③ EXISTING HOT-MIX ASPHALT SURFACE, ±3"
- ④ EXISTING PAVED SHOULDER, 8"-13"
- ⑤ EXISTING CURB AND GUTTER
- ⑥ EXISTING AGGREGATE SHOULDER, 6"
- ⑦ PCC PAVEMENT 10 1/4" (JOINTED)
- ⑧ HOT-MIX ASPHALT BINDER COURSE IL19, N90, 1 7/2"
- ⑨ NOT USED
- ⑩ COMBINATION CONCRETE CURB AND GUTTER
- ⑪ CONCRETE MEDIAN SURFACE, 4"
- ⑫ HOT-MIX ASPHALT SHOULDERS, 8"
- ⑬ AGGREGATE SHOULDERS, TYPE A, 6"
- ⑭ DITCH
- ⑮ HOT-MIX ASPHALT PAVEMENT (FULL-DEPTH)
- ⑯ PORTLAND CEMENT CONCRETE SHOULDERS, 10 1/4"
- ⑰ STABILIZED SUB-BASE, 4"
- ⑱ LIME MODIFIED SOIL, 12"
- ⑲ POLYMERIZED HOT-MIX ASPHALT SURFACE COURSE, MIX E, N90, 1 1/2"
- ⑳ LEVELING BINDER (MACHINE METHOD), N90, 1"
- ㉑ TIE BAR
- ㉒ STRIP REFLECTIVE CRACK CONTROL
- ㉓ PIPE UNDERDRAINS, 4"
- ㉔ AGGREGATE BASE COURSE, TYPE A, 12"
- ㉕ LONGITUDINAL SAWED JOINT #6 TIE BARS @ 30" LONG, 24" C.C. EPOXY COATED, DEFORMED INCLUDED IN JOINTED PAVEMENT 10 1/4".
- ㉖ LONGITUDINAL CONSTRUCTION JOINT #8 TIE BARS @ 24" LONG, 24" C.C. EPOXY COATED, DEFORMED INCLUDED IN JOINTED PAVEMENT 10 1/4".
- ㉗ AGGREGATE BASE COURSE, TYPE A, VARIABLE DEPTH

NOTES:

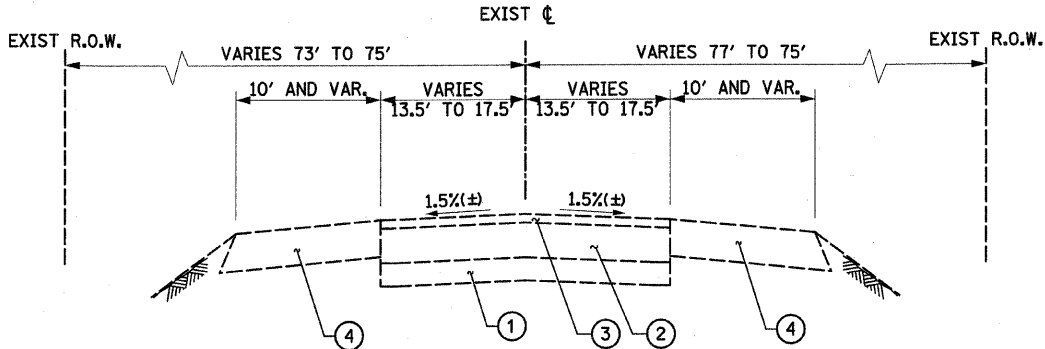
- 1. GAPS IN PROPOSED TYPICAL SECTIONS STATIONING REFLECT TRANSITION AREAS OR INTERSECTION OMISSIONS. FOR MORE INFORMATION, SEE PLANS.
- 2. FOR MORE INFORMATION ON RIGHT TURN LANE LOCATION, SEE PROPOSED PLANS.
- 3. FOR COMBINATION CURB AND GUTTER TYPES, SEE PROPOSED PLANS.

**ILLINOIS DEPARTMENT OF TRANSPORTATION
EXISTING AND PROPOSED
TYPICAL SECTIONS-IL RTE 162**

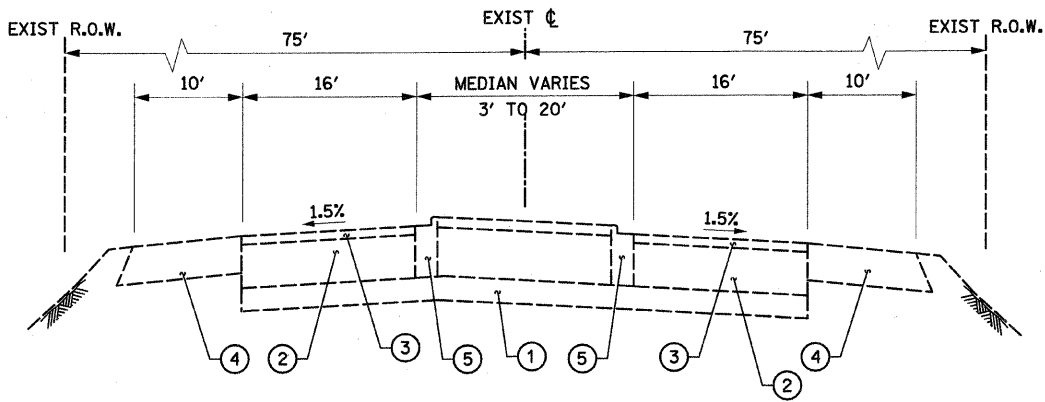
FAI ROUTE 70
SECTION 60-10K-1, 60-10HB
MADISON COUNTY

DRAWN BY: GRH
PLOT DATE: *DATE-TIME*

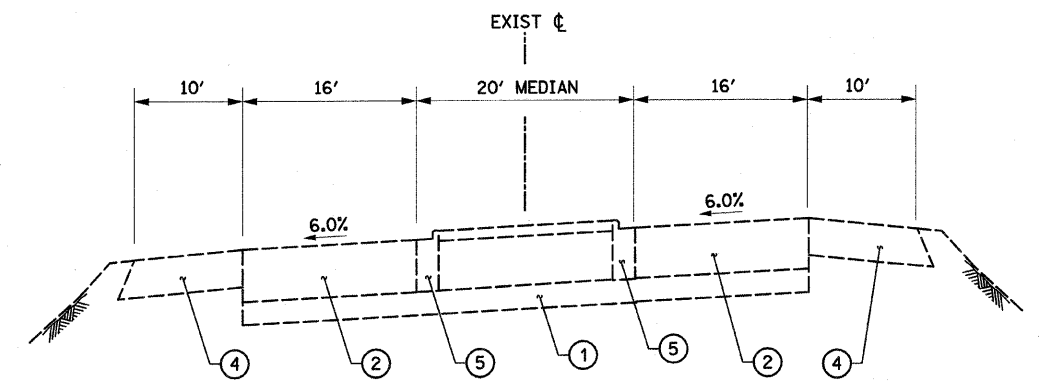
REVISIONS	
NAME	DATE



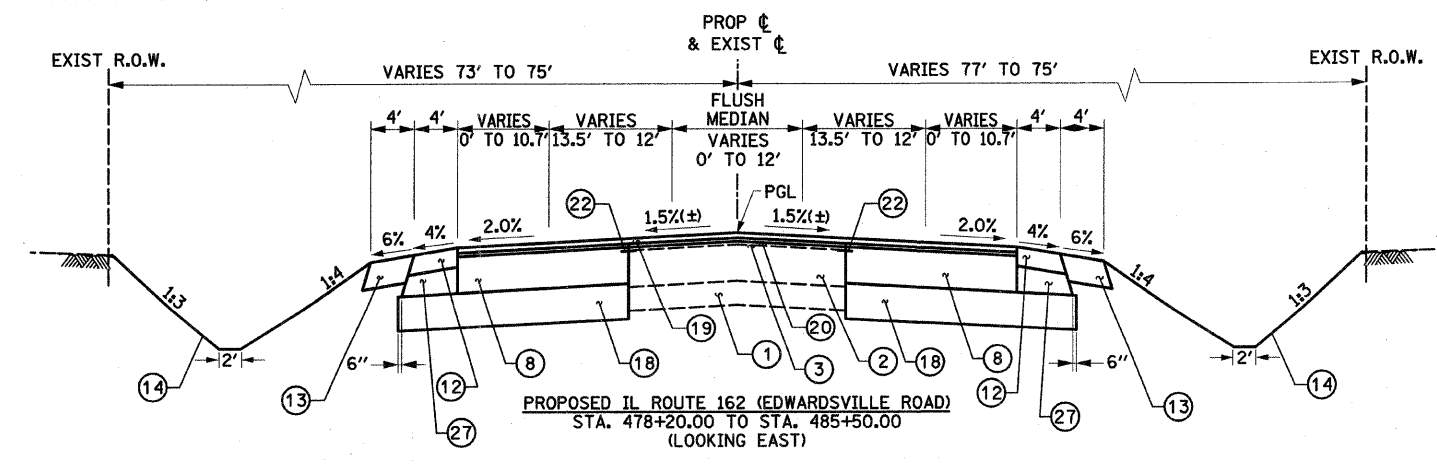
EXISTING IL ROUTE 162 (EDWARDSVILLE ROAD)
STA 478+20.00 TO STA 485+52.20
(LOOKING EAST)



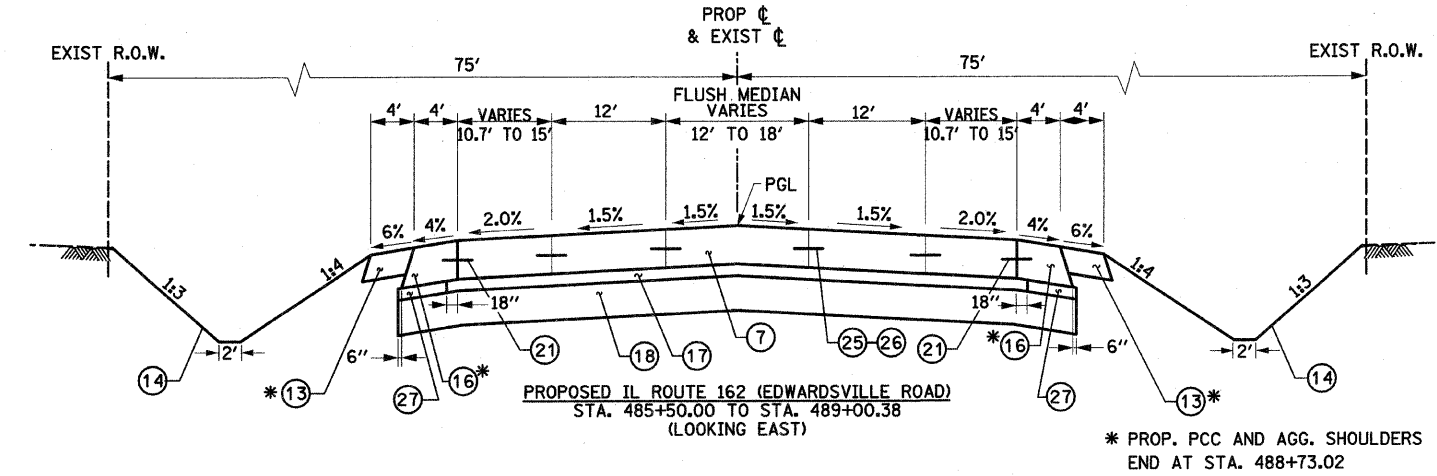
EXISTING IL ROUTE 162 (EDWARDSVILLE ROAD)
STA 485+52.20 TO STA 490+45.38
(LOOKING EAST)



EXISTING IL ROUTE 162 (EDWARDSVILLE ROAD)
STA 490+45.38 TO STA 496+71.32
(LOOKING EAST)

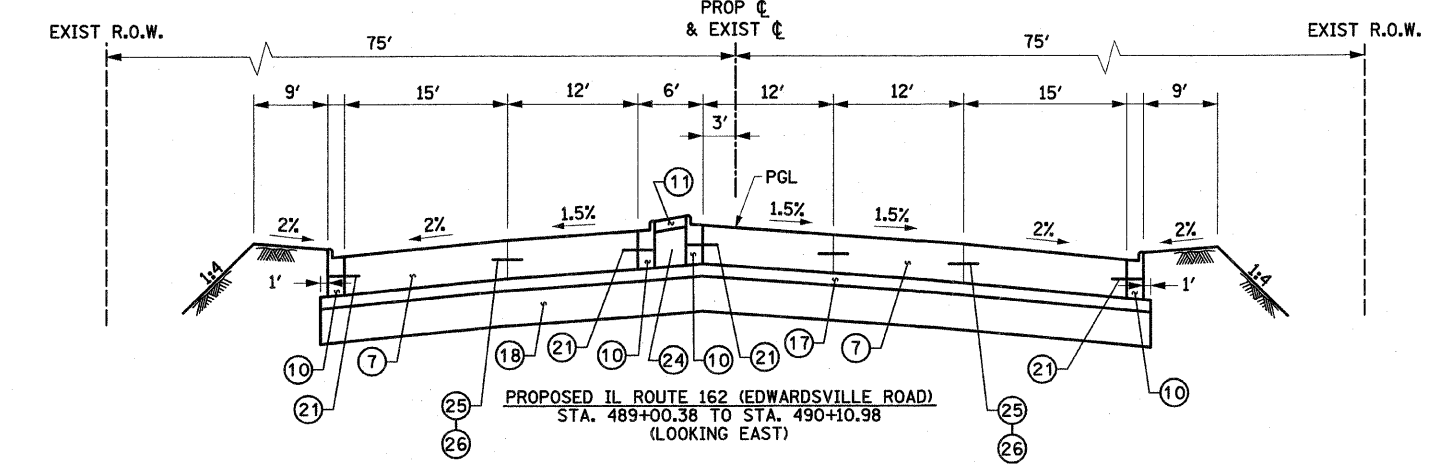


PROPOSED IL ROUTE 162 (EDWARDSVILLE ROAD)
STA. 478+20.00 TO STA. 485+50.00
(LOOKING EAST)

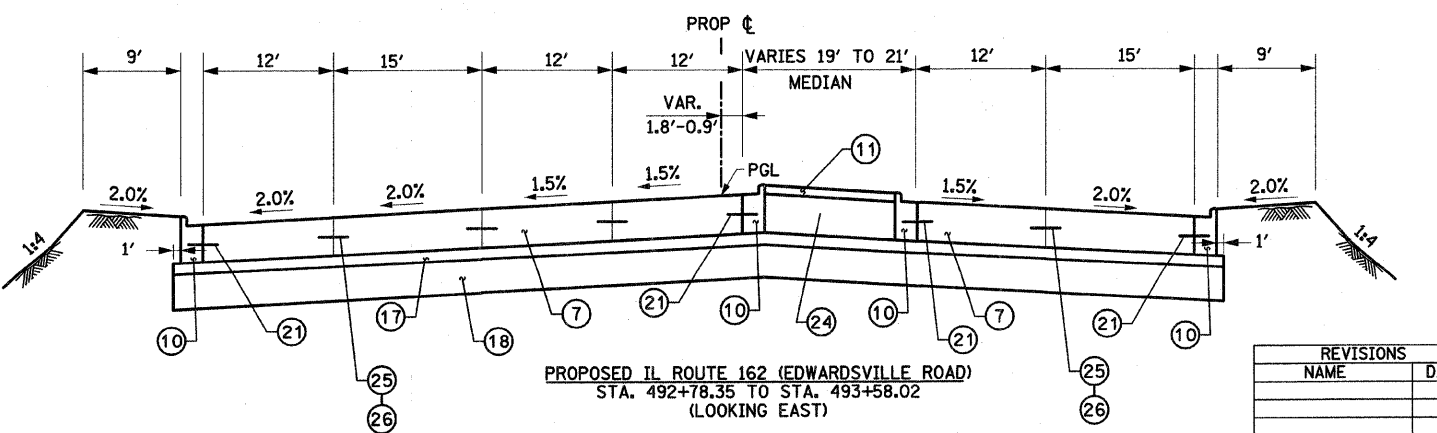


PROPOSED IL ROUTE 162 (EDWARDSVILLE ROAD)
STA. 485+50.00 TO STA. 489+00.38
(LOOKING EAST)

* PROP. PCC AND AGG. SHOULDERS
END AT STA. 488+73.02



PROPOSED IL ROUTE 162 (EDWARDSVILLE ROAD)
STA. 489+00.38 TO STA. 490+10.98
(LOOKING EAST)



PROPOSED IL ROUTE 162 (EDWARDSVILLE ROAD)
STA. 492+78.35 TO STA. 493+58.02
(LOOKING EAST)

DATE: _____
BY: _____
SURVEYED: _____
PLAN: _____
NOTE BOOK: _____
NO. OF SHEETS: _____
FILE NAME: _____

DATE: _____
BY: _____
SURVEYED: _____
PLAN: _____
NOTE BOOK: _____
NO. OF SHEETS: _____
FILE NAME: _____