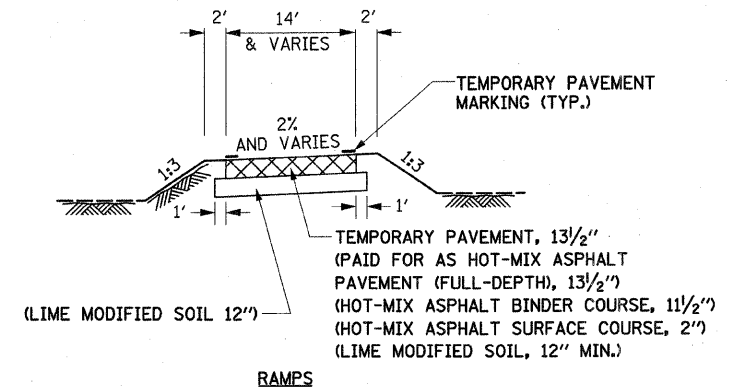
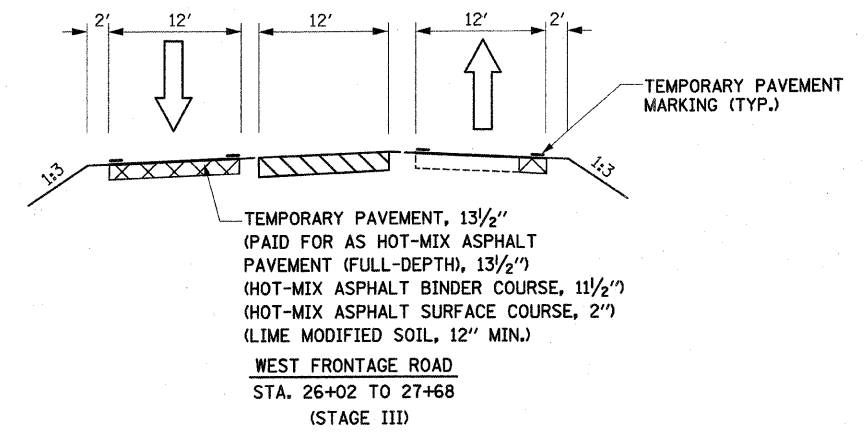
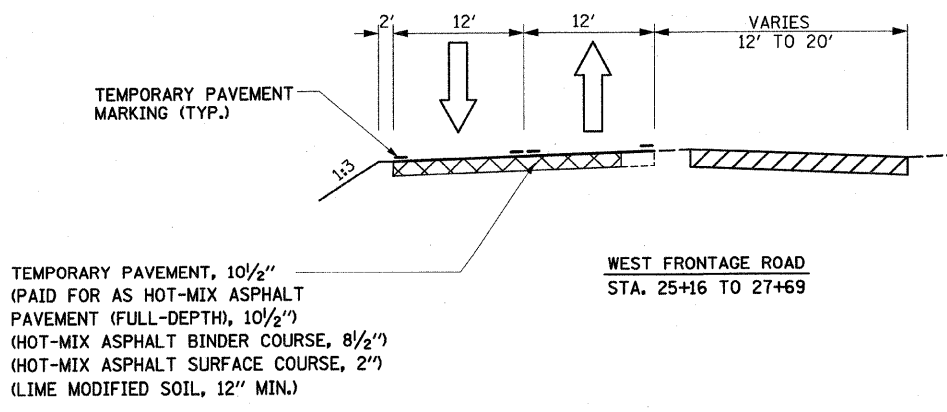
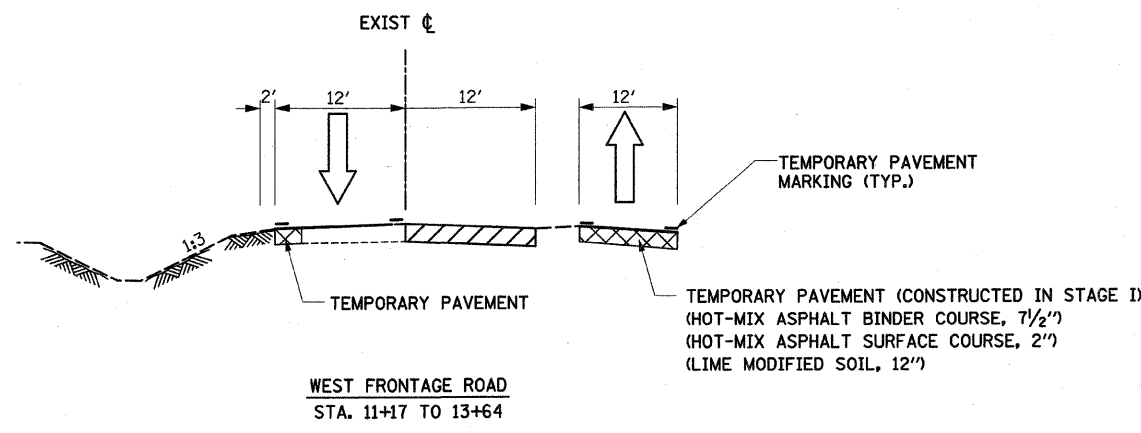
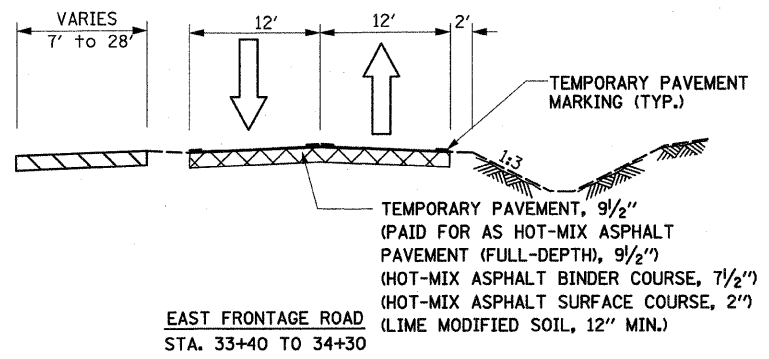
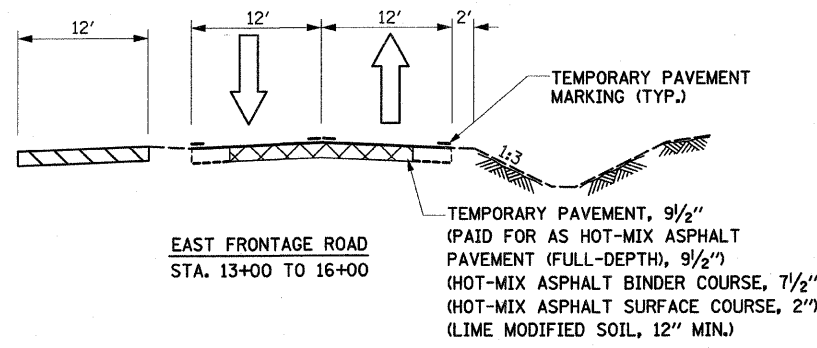


DATE	
BY	
DESIGNED	
PLOTTED	
ALIGNMENT CHECKED	
CONTRACT NO.	
FILE NAME	
PLAN	
NOTE BOOK NO.	



REVISIONS	
NAME	DATE

ILLINOIS DEPARTMENT OF TRANSPORTATION  
**MAINTENANCE OF TRAFFIC - 4  
 TYPICAL SECTIONS STAGE II & III  
 FRONTAGE ROADS**

FAI ROUTE 70  
 SECTION 60-10K-1, 60-10HB  
 MADISON COUNTY

DRAWN BY: GRH

PLOT DATE: \*DATE-TIME\*