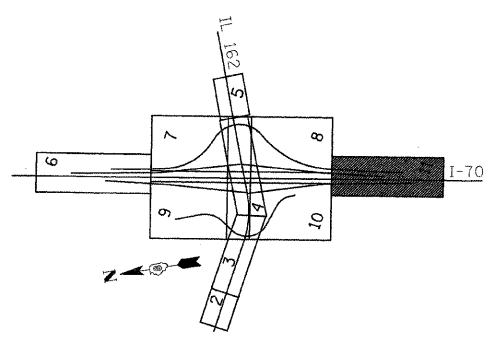
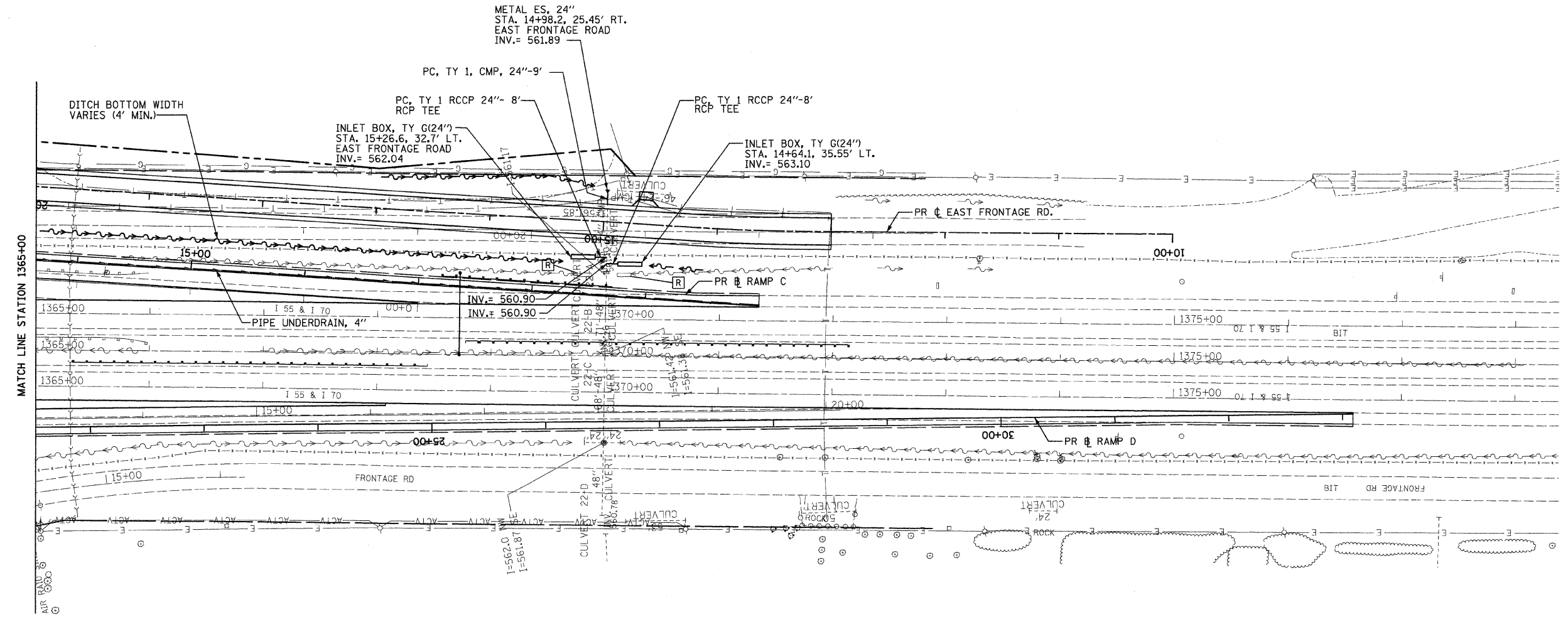


FAI ROUTE	SECTION	COUNTY	TOTAL SHEETS	SHEET NO
70	*	MADISON	420	114
STA. 1365+00		TO STA. 1372+00		
CONTRACT NO.		76709		
* 60-10K, 60-10-4HB				

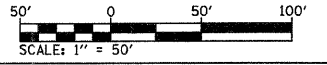


KEY PLAN

DATE	
BY	
PLAN	
SURVEYED	
PLOTTED	
CHECKED	
NOTE BOOK NO.	
FILE NAME	



**NOTE:**  
1. FOR DITCH PROFILES, SEE PROPOSED DRAINAGE PROFILE DRAWINGS.



ILLINOIS DEPARTMENT OF TRANSPORTATION  
**PROPOSED DRAINAGE PLAN - 11**

FAI ROUTE 70  
SECTION 60-10K, 60-10-4HB  
MADISON COUNTY

DRAWN BY: GRH  
PLOT DATE: \*DATE-TIME\*

REVISIONS	
NAME	DATE

\*DATE-TIME\*  
\*DIM-SPEC\*  
\*REF- 236cad01.dgn  
\*REF- 236cad01.dgn  
\*REF- 236cad01.dgn  
\*REF- 236cad01.dgn  
\*REF- 236cad01.dgn