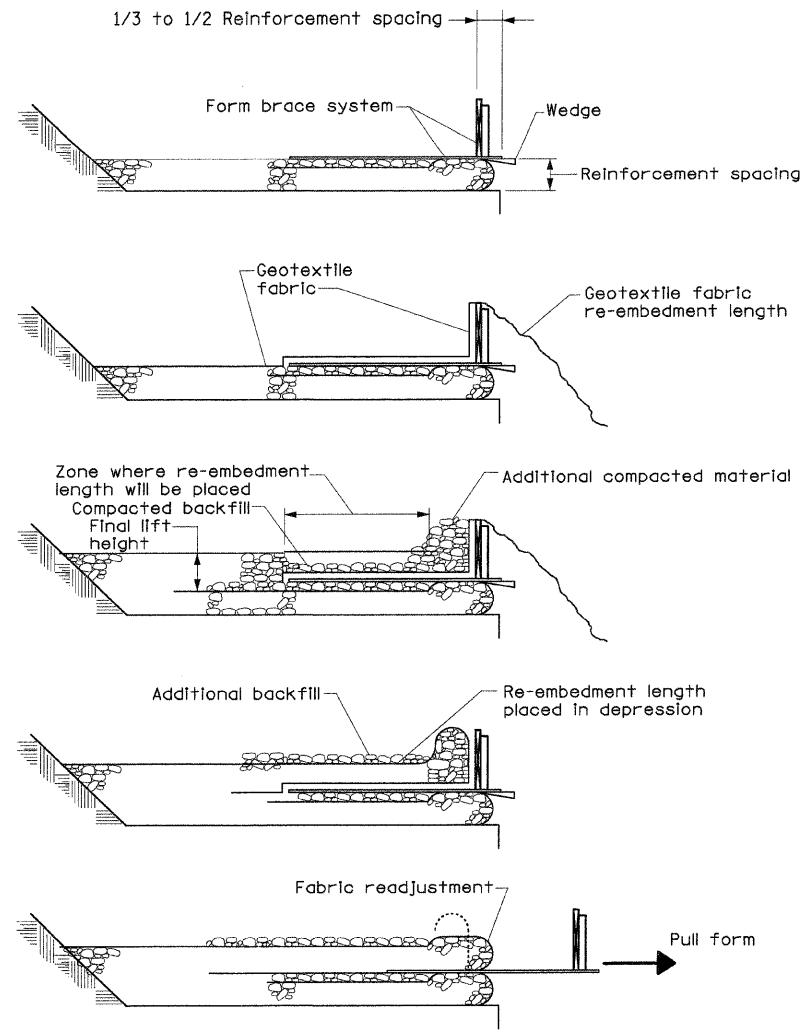
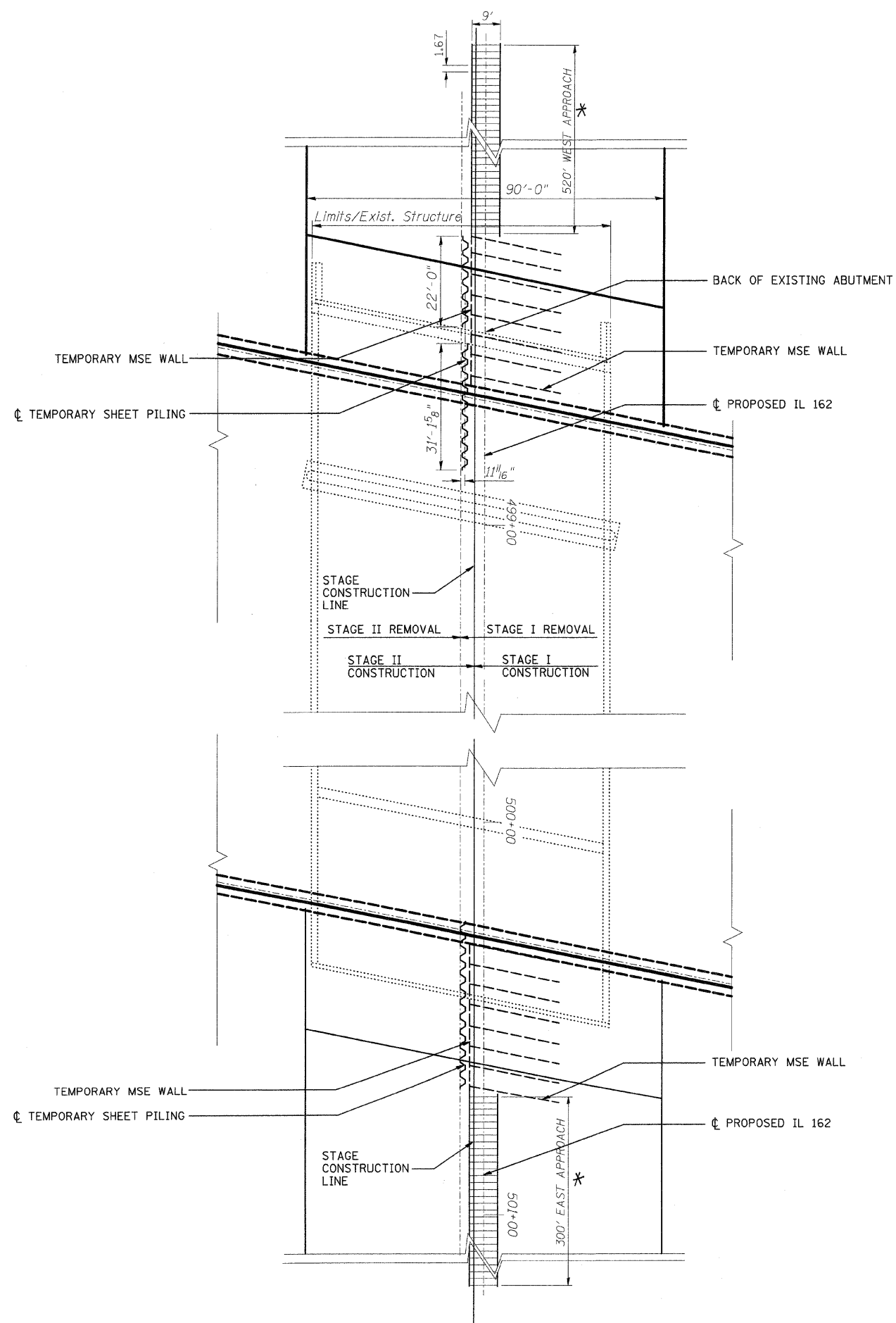
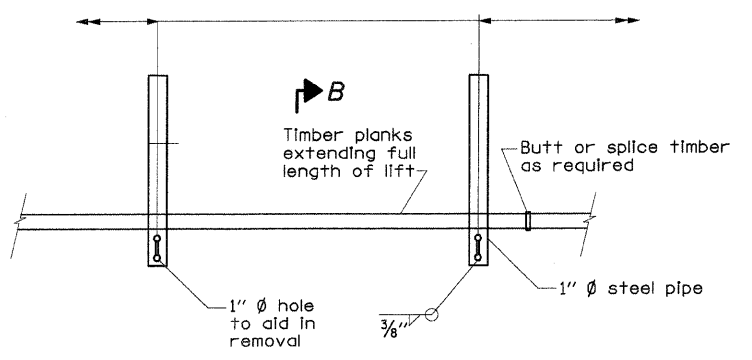


PLAN	DATE
BY	
REVISIONS	
NO.	
DESCRIPTION	
DATE	

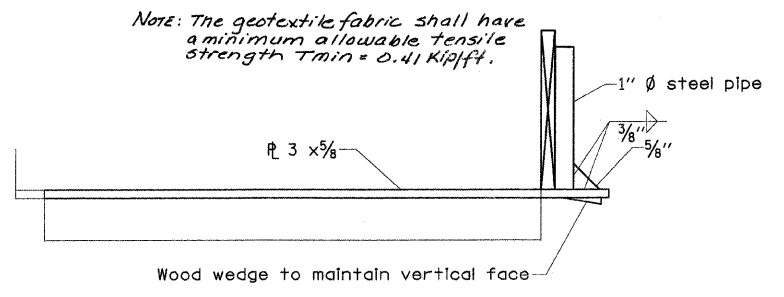


1. Place form brace system on completed reinforcement level; back from the finished fabric face a distance of 1/3 to 1/2 the reinforcement spacing.
2. Position fabric so that the required re-embedment length extends over the top of the form brace and the design reinforcement width is placed with no slack against the previous level.
3. Compact backfill material in lifts to final lift height, create (3in.) depression in zone where re-embedment length will be located and place additional height of compacted material against form brace.
4. Fold fabric re-embedment length back over form brace into zone where depression was made in backfill and place additional compacted backfill (3 inches) to embed fabric and bring to final lift height.
5. Pull form brace outward allowing fabric face to slightly readjust to form tight round face and level with plan reinforcement spacing.

GEOTEXTILE WALL CONSTRUCTION PROCEDURE



PLAN
GEOTEXTILE TEMPORARY FORM BRACE DETAIL



SECTION B-B

REVISIONS	
NAME	DATE

ILLINOIS DEPARTMENT OF TRANSPORTATION
GEOTEXTILE RETAINING WALL DETAIL

FAI ROUTE 70
SECTION 60-10K-1, 60-10HB
MADISON COUNTY

DRAWN BY: BTO
PLOT DATE: *DATE-TIME*

Rev.