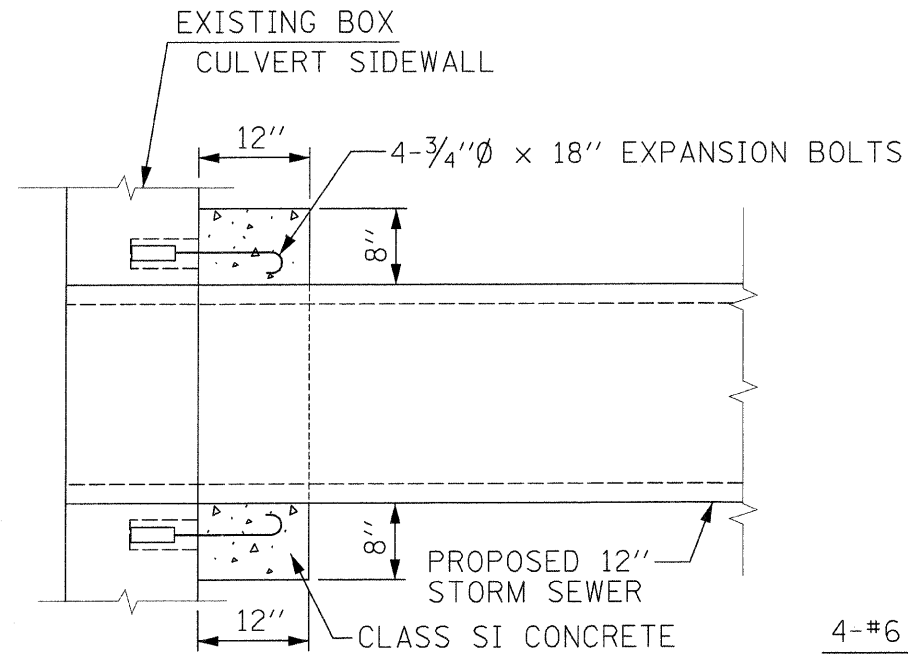
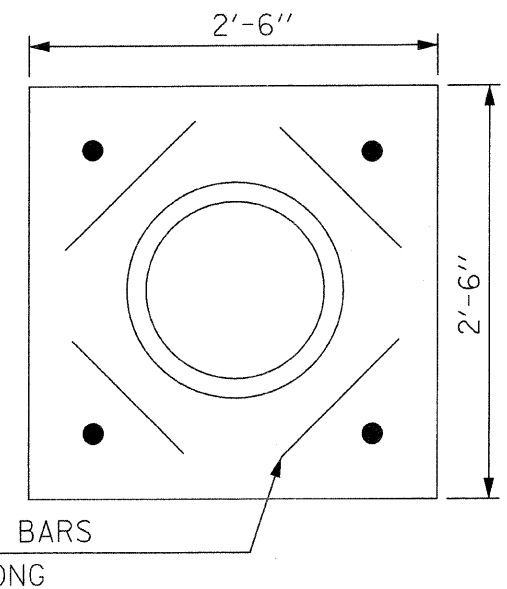


Mass of Barrel #1 = 200 lbs.  
 Mass of Barrel #2 = 400 lbs.  
 Mass of Barrel #3 = 700 lbs.  
 Mass of Barrel #4 = 1400 lbs.

**FREE STANDING SAND-FILLED  
 CONTAINER-TYPE IMPACT ATTENUATOR**  
 STA. 1352+44 AND STA. 1353+88  
 NOT TO SCALE



END VIEW



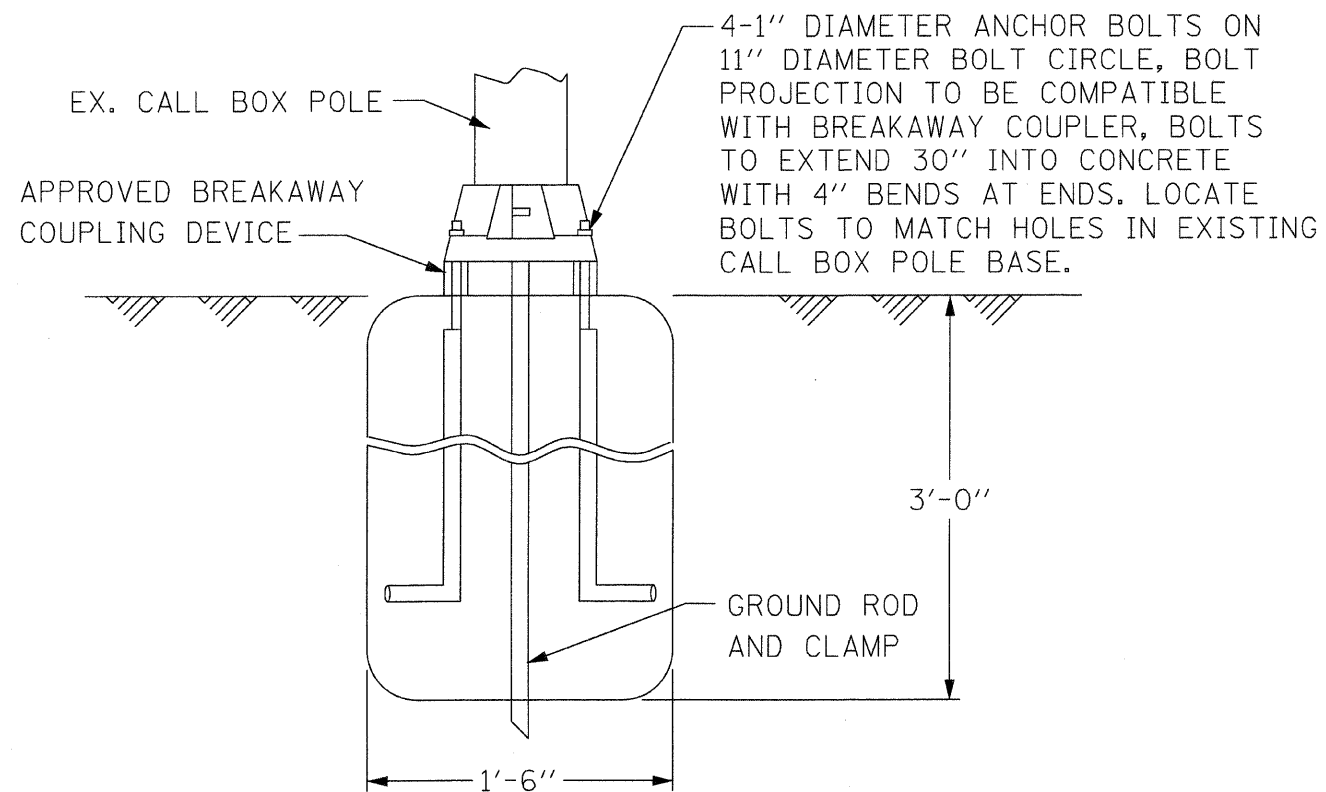
SIDE VIEW

4-#6 TIE BARS  
 1'- 6" LONG

SPAN X RISE	CL SI CONCRETE CU YD (EST)
5' x 2'	0.23

THE CONCRETE COLLAR, AS DETAILED, SHALL BE USED TO CONNECT PROP. 12" STORM SEWER TO THE EXISTING 5' x 2' BOX CULVERT. CLASS SI CONCRETE SHALL BE USED THROUGHOUT.

**DETAILS OF CONCRETE COLLAR**  
 NOT TO SCALE



**CALL BOX FOUNDATION DETAIL**  
 NOT TO SCALE

REVISIONS	
NAME	DATE

ILLINOIS DEPARTMENT OF TRANSPORTATION

**DETAILS**

FAI ROUTE 70  
 SECTION 60-10K-1, 60-10HB  
 MADISON COUNTY

DRAWN BY: GRH

PLOT DATE: \*DATE-TIME\*

PLAN SURVEYED BY: DATE: \_\_\_\_\_  
 NOTE BOOK NO. \_\_\_\_\_  
 ALIGNMENT CHECKED BY: \_\_\_\_\_  
 RT. OF WAY CHECKED BY: \_\_\_\_\_  
 FIND FILE NAME: \_\_\_\_\_

\*DATE-TIME\*  
 \*CON-SPEC\*  
 \*REF\*