

STATE OF ILLINOIS
DEPARTMENT OF TRANSPORTATION

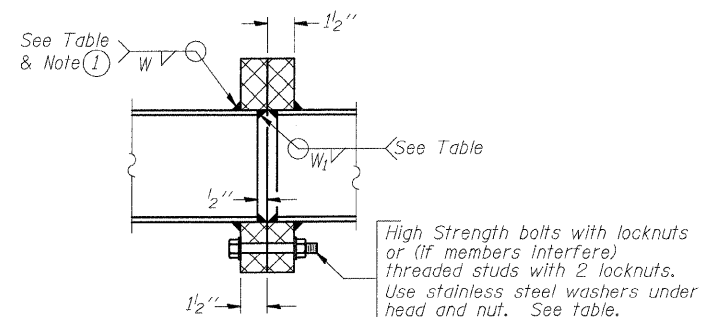
ROUTE NO.	SECTION	COUNTY	TOTAL SHEETS	SHEET NO.
70	*	MADISON	420	168
FED. ROAD DIST. NO. B		ILLINOIS	FED. AID PROJECT	

SHEET NO. -
- SHEETS

• 60-10K-1, 60-10HB

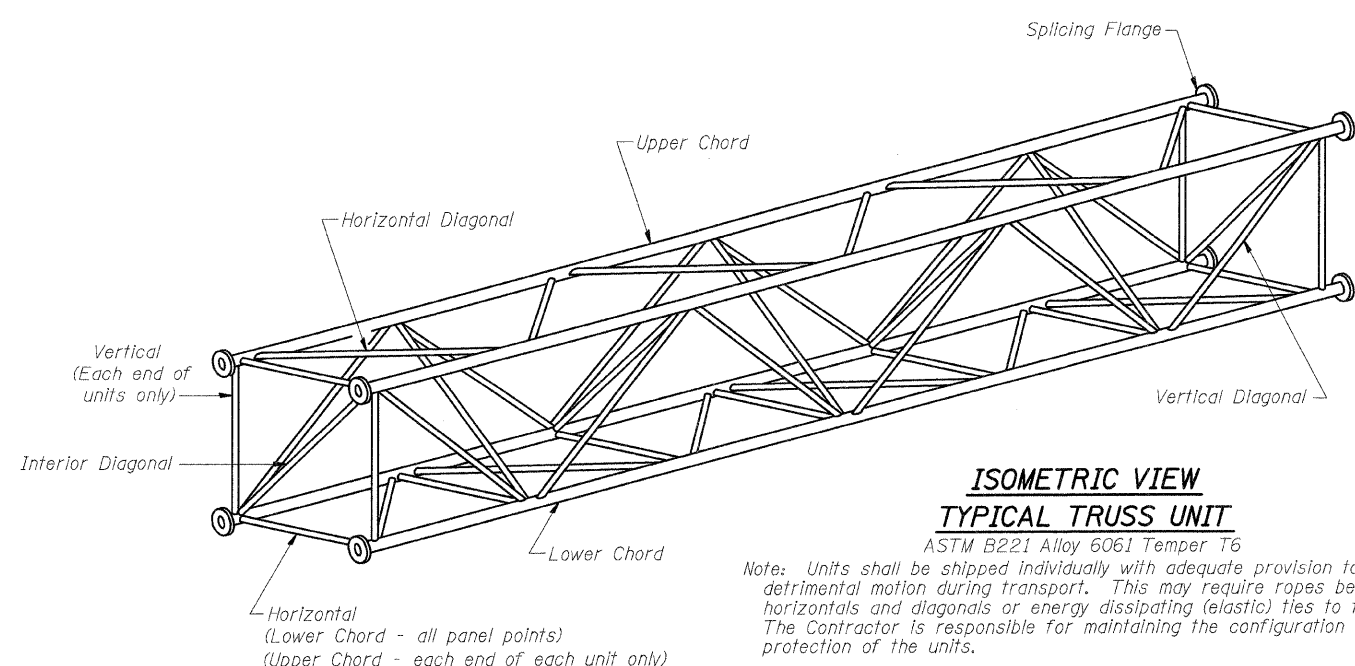
TRUSS UNIT TABLE

Structure Number	Station	Design Truss Type	Exterior Units (2)			Interior Unit				Upper & Lower Chord		Verticals; Horizontals; Vertical, Horizontal, and Interior Diagonals		Camber at Midspan	Splicing Flange					
			No. Panels per Unit	Unit Lgth.(L _u)	Panel Lgth.(P)	No. Req'd.	No. Panels per Unit	Unit Lgth.(L _i)	Panel Lgth.(P)	O.D.	Wall	O.D.	Wall		Bolts		Weld Sizes		A	B
															No./Splice	Dia.	W	W ₁		
8S0601070L018.3	1337+90	I-A	8	37'-2 1/2"	4'-5"	-	-	-	-	5"	5/8"	2 1/2"	5/8"	1 1/8"	6	1"	5/8"	1/4"	8 3/4"	11 3/4"
8S0601070R017.7	1368+72	I-A	7	36'-10 1/2"	5'-0"	-	-	-	-	5"	5/8"	2 1/2"	5/8"	1 1/8"	6	1"	5/8"	1/4"	8 3/4"	11 3/4"



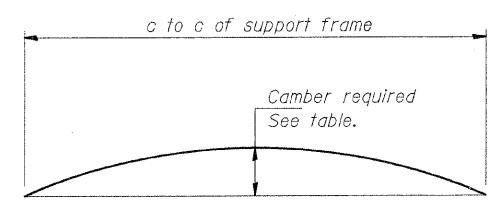
SECTION B-B

(1) Splicing Flanges shall be attached to each truss unit with the truss shop assembled to camber shown. Truss units shall be in proper alignment and flange surfaces shall be shop bolted into full contact before welding. Sufficient external welds or tacks shall be made to secure flanges until remaining welds are made after disassembly. Adjacent flanges shall be "match marked" to insure proper field assembly.



**ISOMETRIC VIEW
TYPICAL TRUSS UNIT**

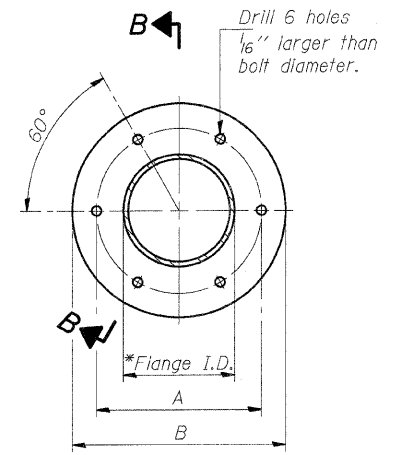
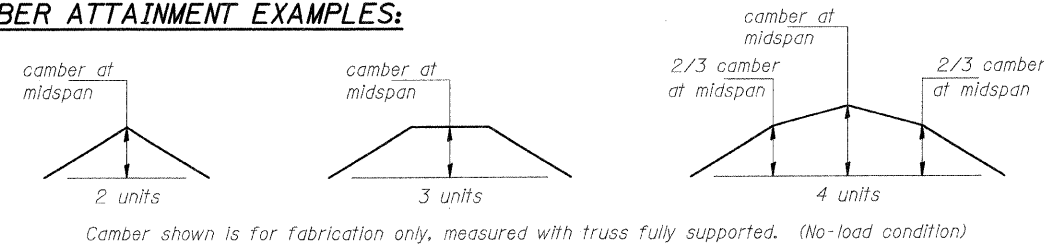
ASTM B221 Alloy 6061 Temper T6



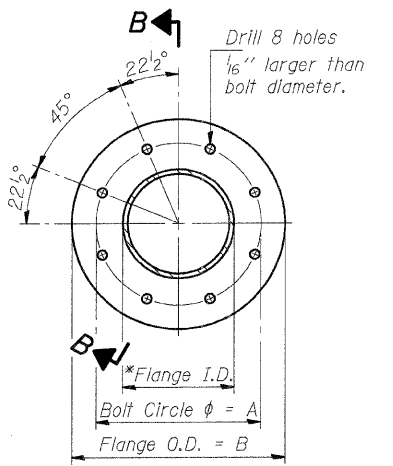
CAMBER DIAGRAM

Camber curve shown is theoretical. Actual camber attained by slope changes at splices between units.

CAMBER ATTAINMENT EXAMPLES:



TRUSS TYPES I-A, II-A, & III-A



TRUSS TYPES II-A & III-A

SPLICING FLANGES

ASTM B221, Alloy 6061-T6 or ASTM B209, Alloy 6061-T651

*To fit O.D. of Chord with maximum gap of 1/16".

NUMBER	REVISION	DATE

DESIGNED	-	BTO
CHECKED	-	JAN
DRAWN	-	BTO
CHECKED	-	JAN

EXAMINED	-	20
PASSED	-	ENGINEER OF STRUCTURAL SERVICES
	-	ENGINEER OF BRIDGES AND STRUCTURES

**OVERHEAD SIGN STRUCTURES
ALUMINUM TRUSS DETAILS
FOR TRUSS TYPES I-A, II-A and III-A**

FAI ROUTE 70
SECTION 60-10K-1, 60-10-4HB
MADISON COUNTY