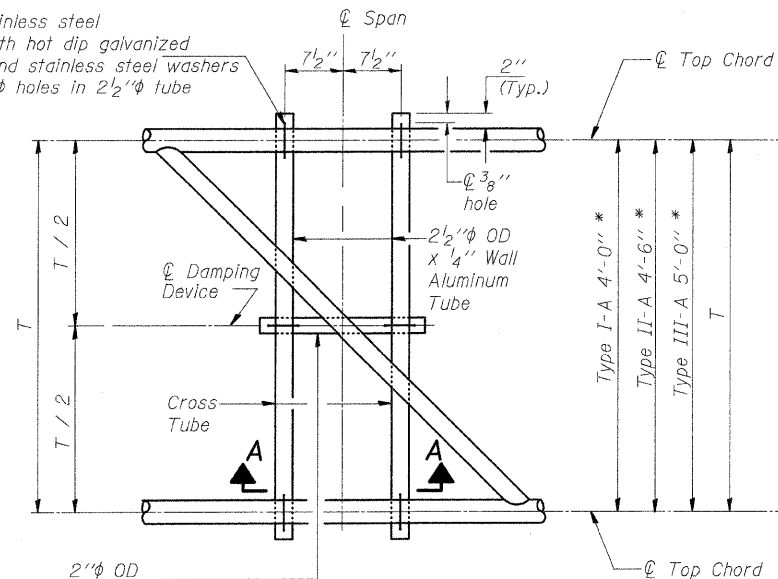


STATE OF ILLINOIS
DEPARTMENT OF TRANSPORTATION

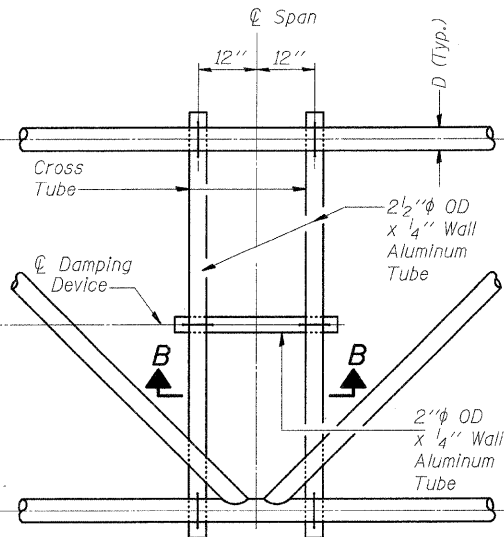
* Center of horizontal to center of splice dimension may vary. Verify before drilling holes in mounting tube.

ROUTE NO.	SECTION	COUNTY	TOTAL SHEETS	SHEET NO.	SHEET NO.
70	*	MADISON	420	170	- SHEETS
FED. ROAD DIST. NO. 8		ILLINOIS		FED. AID PROJECT	
• 60-10K-1, 60-10HB					

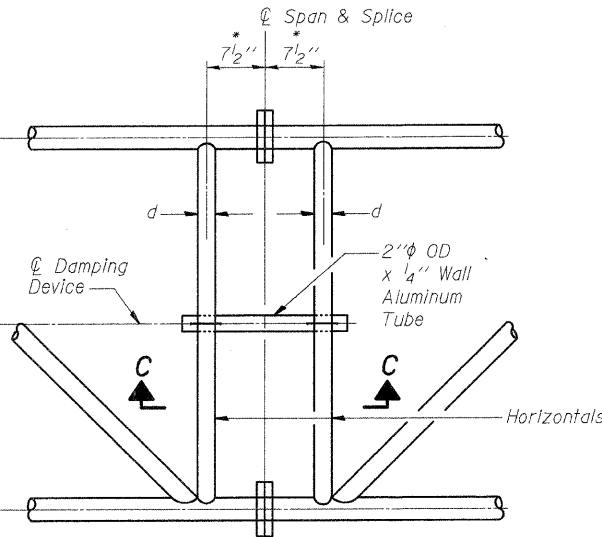
5/16" φ stainless steel
U- bolt with hot dip galvanized
locknuts and stainless steel washers
(Typ.) 3/8" φ holes in 2 1/2" φ tube



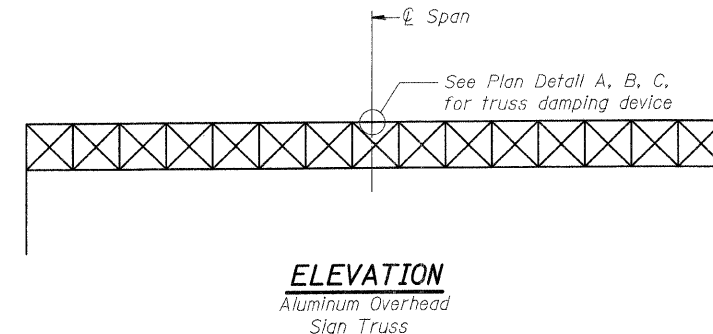
PLAN DETAIL "A"
Span BETWEEN PANEL POINTS



PLAN DETAIL "B"
Span AT PANEL POINT

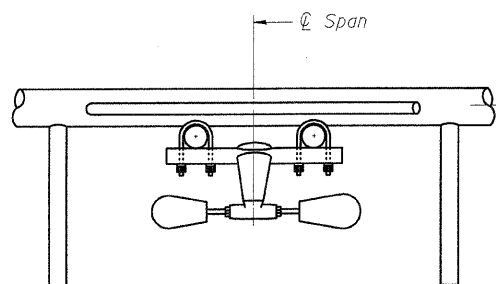


PLAN DETAIL "C"
Span AT CHORD SPLICE

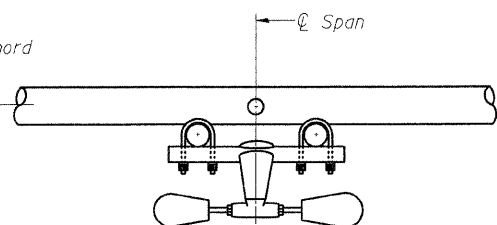


NOTES

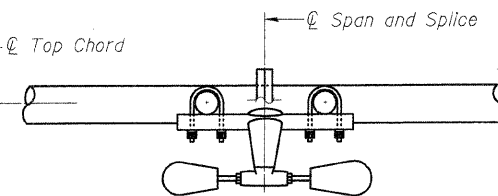
Damper: One damper per truss.
(31 lbs. Stockbridge-Type Aluminum)
Cost included in "Overhead Sign Structure..."
Materials: Aluminum tubes shall be ASTM B221 alloy 6061 temper T6. Cost included in "Overhead Sign Structure..."



SECTION A-A

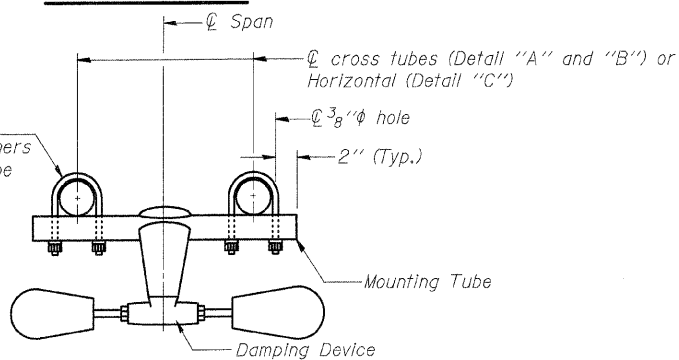


SECTION B-B

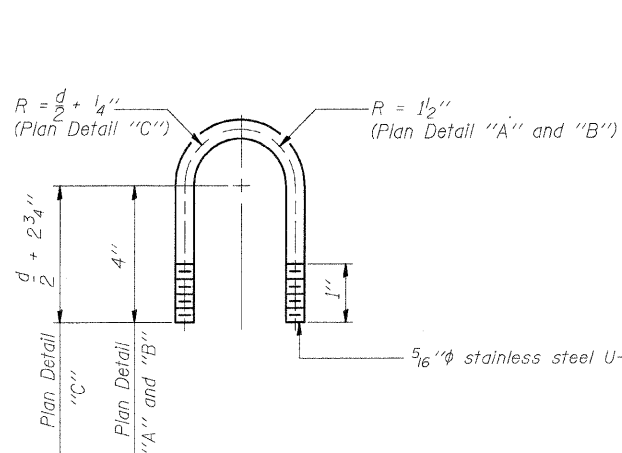


SECTION C-C

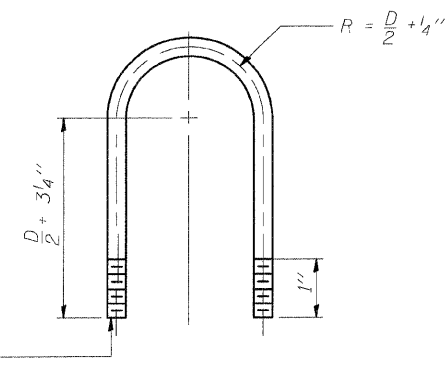
5/16" φ stainless steel
U- bolt with hot dip galvanized
locknuts and stainless steel washers
(Typ.) 3/8" φ holes in mounting tube



**TRUSS DAMPING
DEVICE CONNECTION DETAIL**
(Typical)



**DAMPING DEVICE MOUNTING
TUBE U-BOLT DETAIL**
(Typical)



**TOP CHORD TO CROSS TUBE
U-BOLT DETAIL**
(Typical - Detail "A" and "B")

DESIGNED	-	BTO
CHECKED	-	JAN
DRAWN	-	BTO
CHECKED	-	JAN

EXAMINED	-	20
PASSED	-	ENGINEER OF STRUCTURAL SERVICES
	-	ENGINEER OF BRIDGES AND STRUCTURES

**OVERHEAD SIGN STRUCTURE
DAMPING DEVICE**

FAI ROUTE 70
SECTION 60-10K-1, 60-10-4HB
MADISON COUNTY