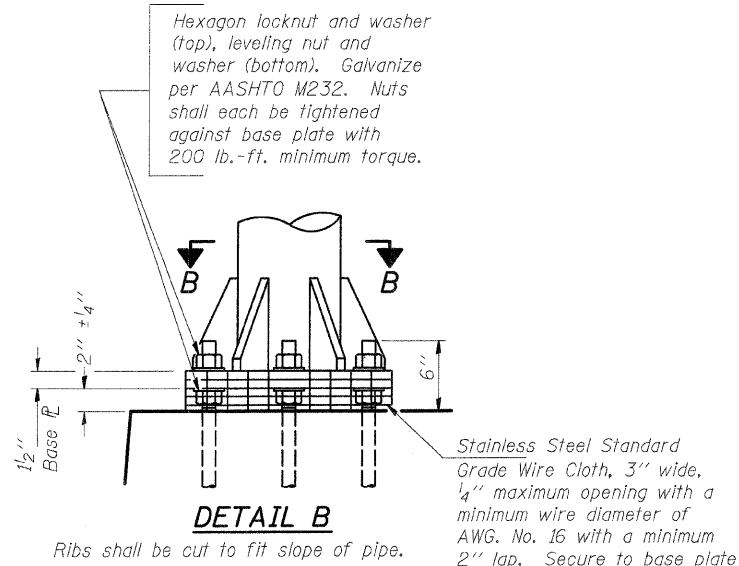


STATE OF ILLINOIS  
DEPARTMENT OF TRANSPORTATION

ROUTE NO.	SECTION	COUNTY	TOTAL SHEETS	SHEET NO.
70	#	MADISON	420	172
FED. ROAD DIST. NO. 9	ILLINOIS	FED. AID PROJECT-		

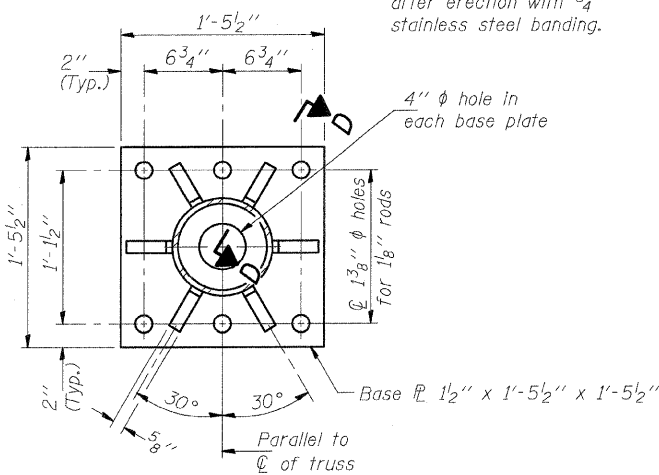
SHEET NO. -  
- SHEETS

• 60-10K-1, 60-10HB

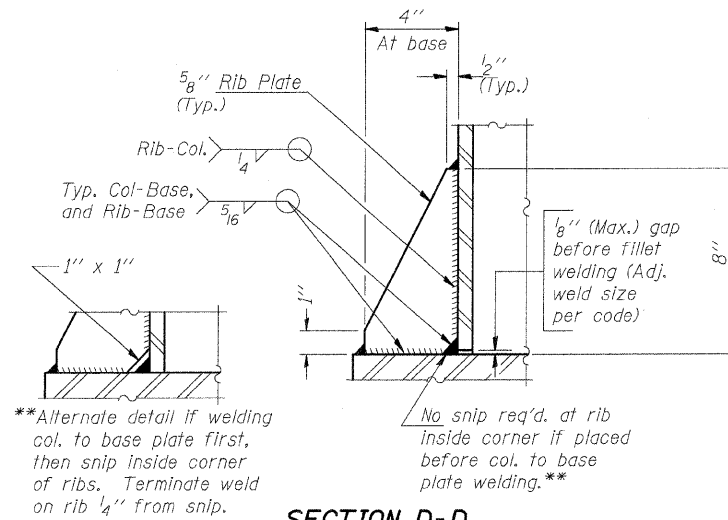


**DETAIL B**

Ribs shall be cut to fit slope of pipe.

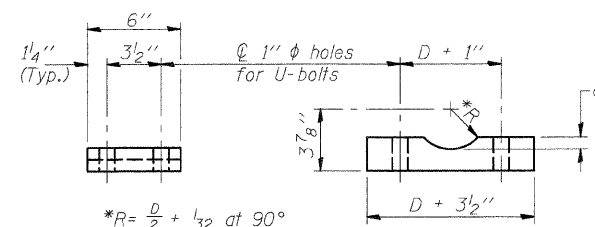


**SECTION B-B**



**SECTION D-D**

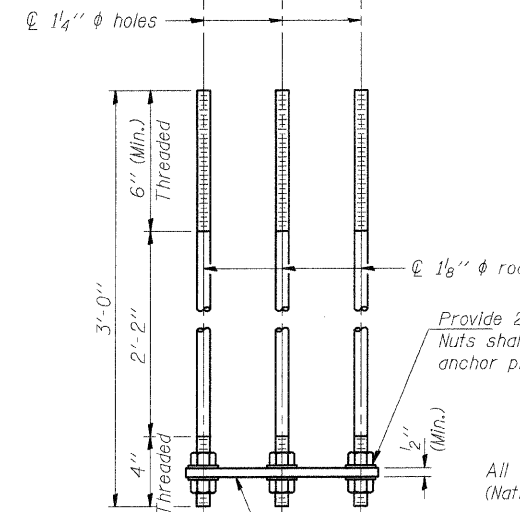
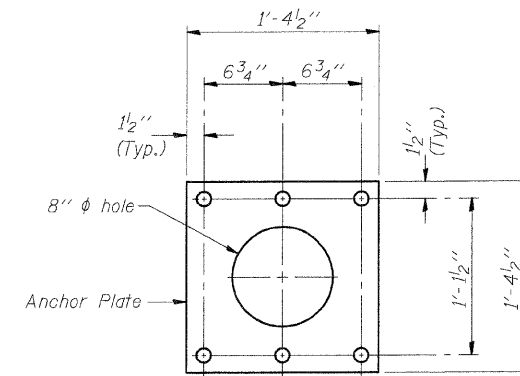
\*\*Alternate detail if welding col. to base plate first, then snip inside corner of ribs. Terminate weld on rib 1/4 inch from snip.



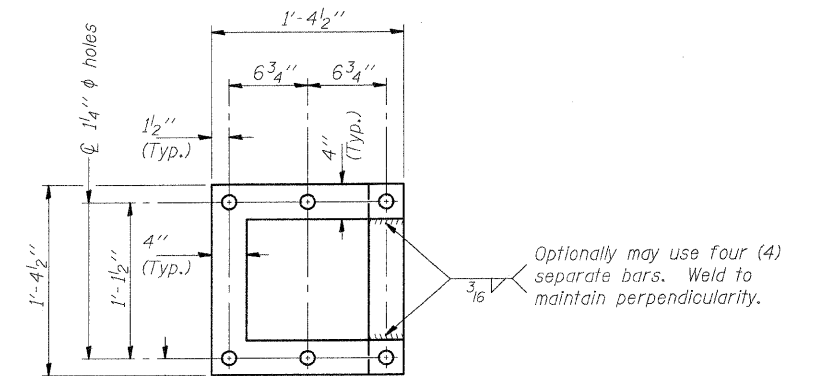
**SADDLE SHIM DETAIL**

ASTM B26 Alloy 356-F  
or  
ASTM B209 Alloy 6061-T651  
(4 required per sign truss)

Truss Chord Nominal Dia.	a
5"	3/4"
5 1/2"	13/16"
6"	7/8"
6 1/2"	15/16"

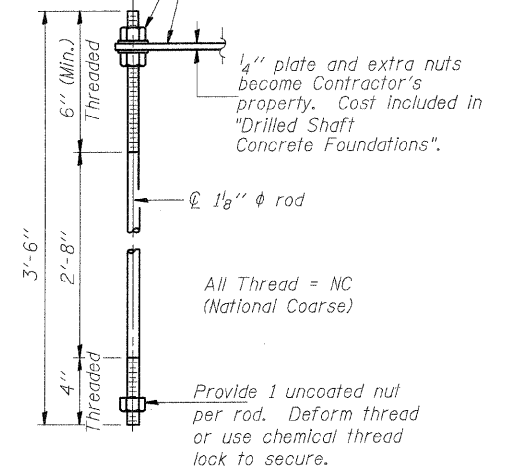


**ANCHOR ROD DETAIL**  
Spread Footing Foundation



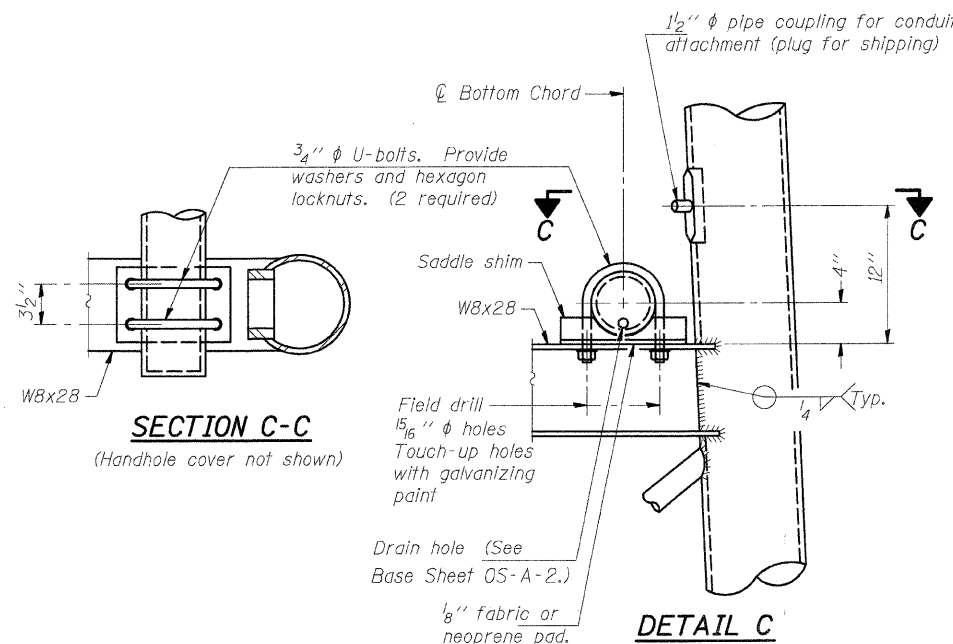
**POSITIONING PLATE(S)**

At each location, provide 1/4 inch thick positioning plate(s) and six (6) additional nuts to be used with leveling nuts to maintain anchor bolts position during concrete placement.



**ANCHOR ROD DETAIL**  
Drilled Shaft Foundation

Anchor rods shall conform to AASHTO M314 Grade 36 or 55 and meet Charpy V-Notch (CVN) energy of 15 lb.-ft. at 40 degrees F. Galvanize upper 12 inches per AASHTO M232. No welding shall be permitted on rods.



**SECTION C-C**

(Handhole cover not shown)

**DETAIL C**

**TYPE I-A TRUSS**  
**8" DIAMETER PIPE SUPPORT FRAME DETAILS**

NUMBER	REVISION	DATE

DESIGNED - BTO	20
CHECKED - JAN	EXAMINED
DRAWN - BTO	ENGINEER OF STRUCTURAL SERVICES
CHECKED - JAN	PASSED
	ENGINEER OF BRIDGES AND STRUCTURES

OVERHEAD SIGN STRUCTURES  
SUPPORT FRAME DETAILS ALUMINUM TRUSS

FAI ROUTE 70  
SECTION 60-10K-1, 60-10-4HB  
MADISON COUNTY