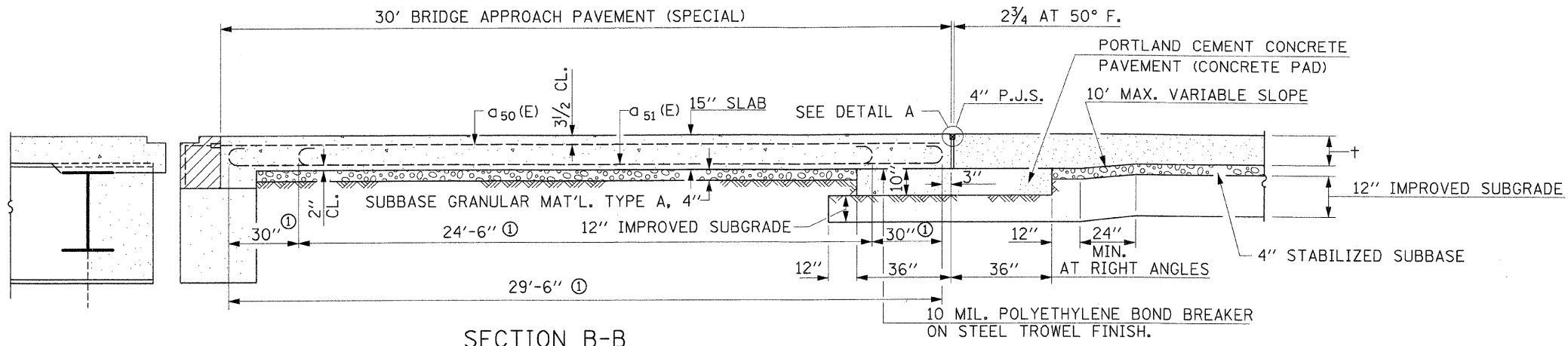
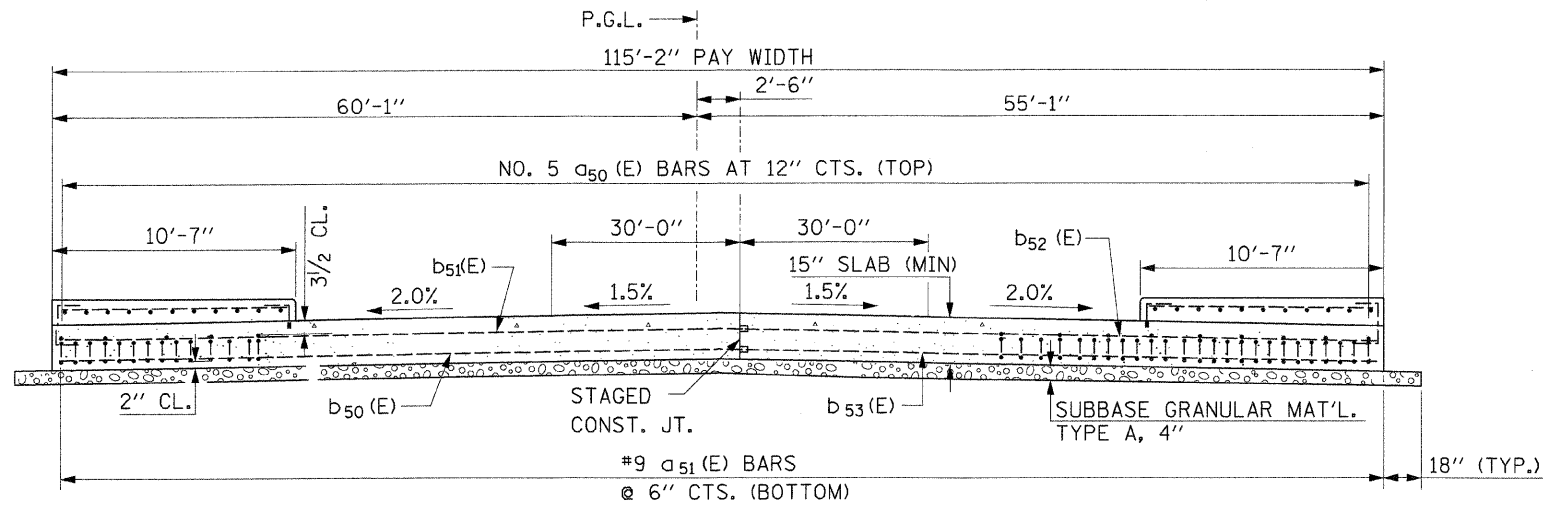


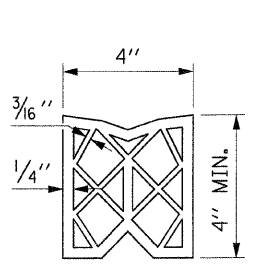
F.A. RTE.	SECTION	COUNTY	TOTAL SHEETS	SHEET NO.
70	•	MADISON	420	209
STA.		TO STA.		
FED. ROAD DIST. NO.		ILLINOIS	FED. AID PROJECT	
• 60-10K-1, 60-10HB				



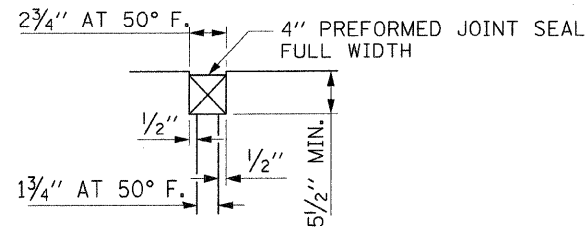
SECTION B-B
 ① STAGGER NO.9 a BARS AS SHOWN ON PLAN - FULL WIDTH



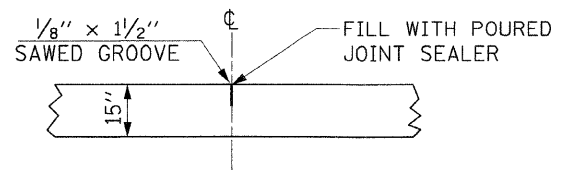
SECTION A-A
 (SEE PLAN FOR DIMENSIONS NOT SHOWN, ALSO SEE STRUCTURAL PLANS)
 ALL REINFORCEMENT BARS SHALL BE EPOXY COATED.



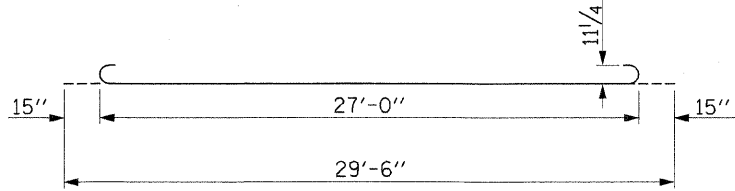
PREFORMED JOINT SEAL



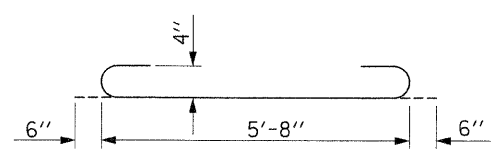
DETAIL A



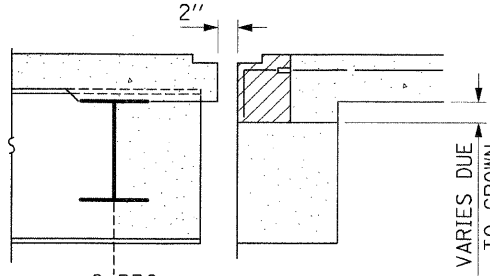
DETAIL B



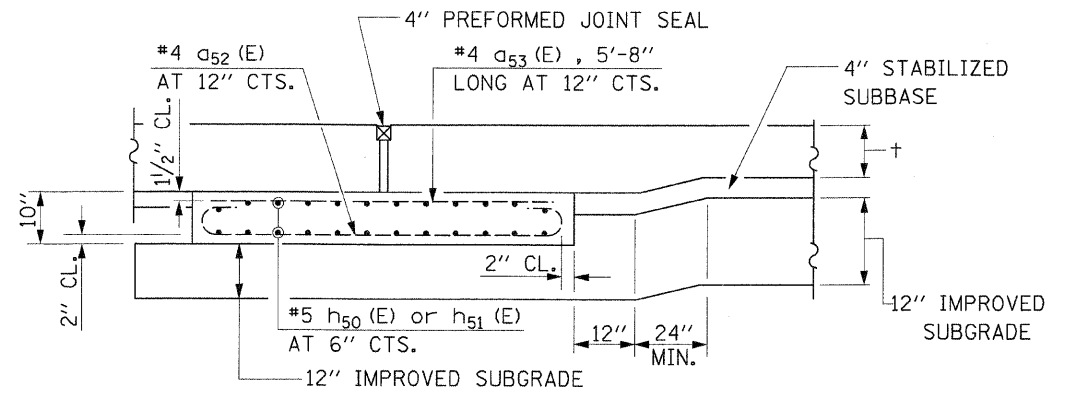
BAR a50 (E)



BAR a52 (E)



SECTION E-E



SECTION C-C - RIGID PAVEMENT
 (SHOWING REINFORCEMENT)

DESIGN STRESSES

FY = 60,000 P.S.I.
 F'C = 3,500 P.S.I.
 N = 8.5

GENERAL NOTES

1. THICKNESS - "+" = THICKNESS OF PAVEMENT
2. ALL DIMENSIONS ARE IN INCHES UNLESS OTHERWISE SHOWN.

REVISIONS	
NAME	DATE

ILLINOIS DEPARTMENT OF TRANSPORTATION
 BRIDGE APPROACH PAVEMENT
 DETAILS
 FAI ROUTE 70
 SECTION 60-10K, 60-10-4HB
 MADISON COUNTY
 SCALE: NOT TO SCALE
 DATE: 4/06
 DRAWN BY: HJB
 CHECKED BY: JAW