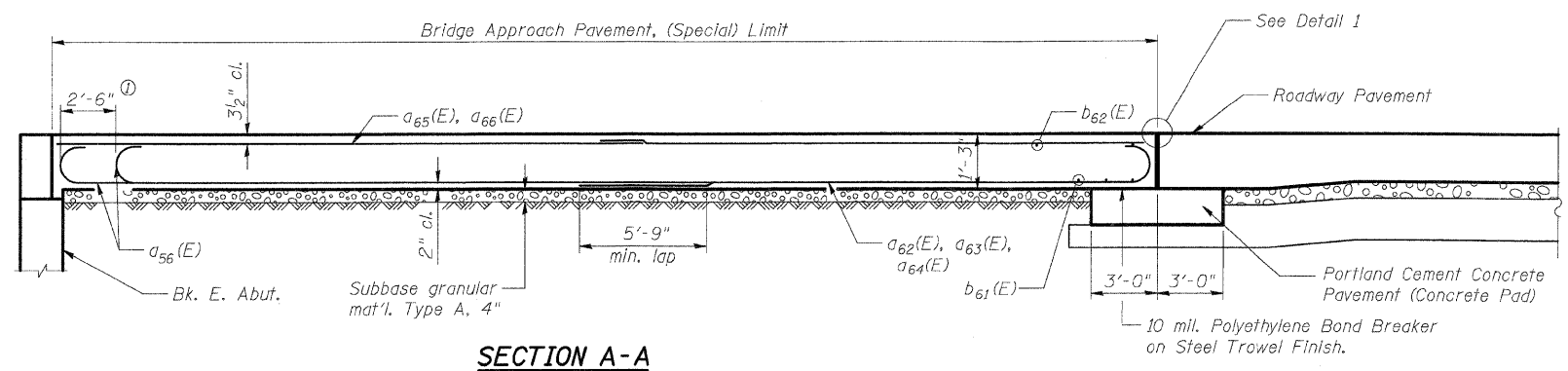
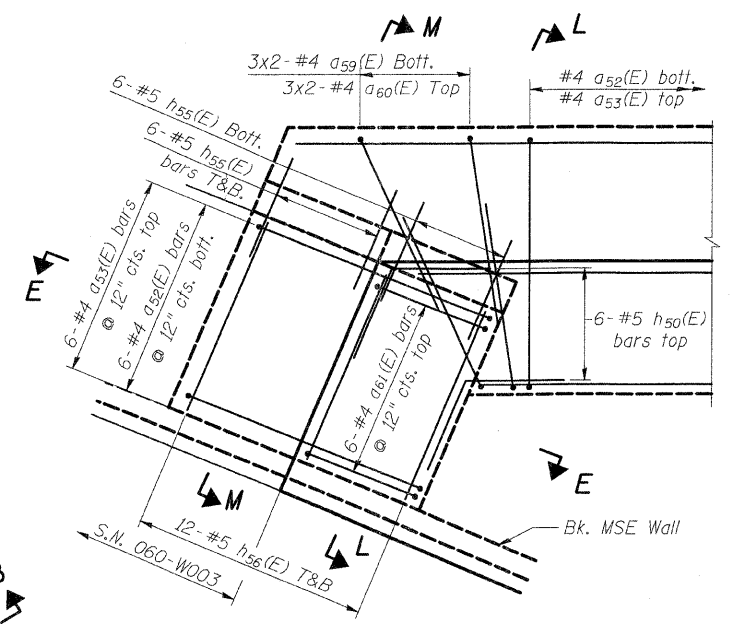


F.A.I. RTE.	SECTION	COUNTY	TOTAL SHEETS	SHEET NO.
70		MADISON	420	213
STA.	TO STA.			
FED. ROAD DIST. NO.	ILLINOIS	FED. AID PROJECT		
60-10K-1, 60-10HB CONTRACT NO. 76709				



SECTION A-A

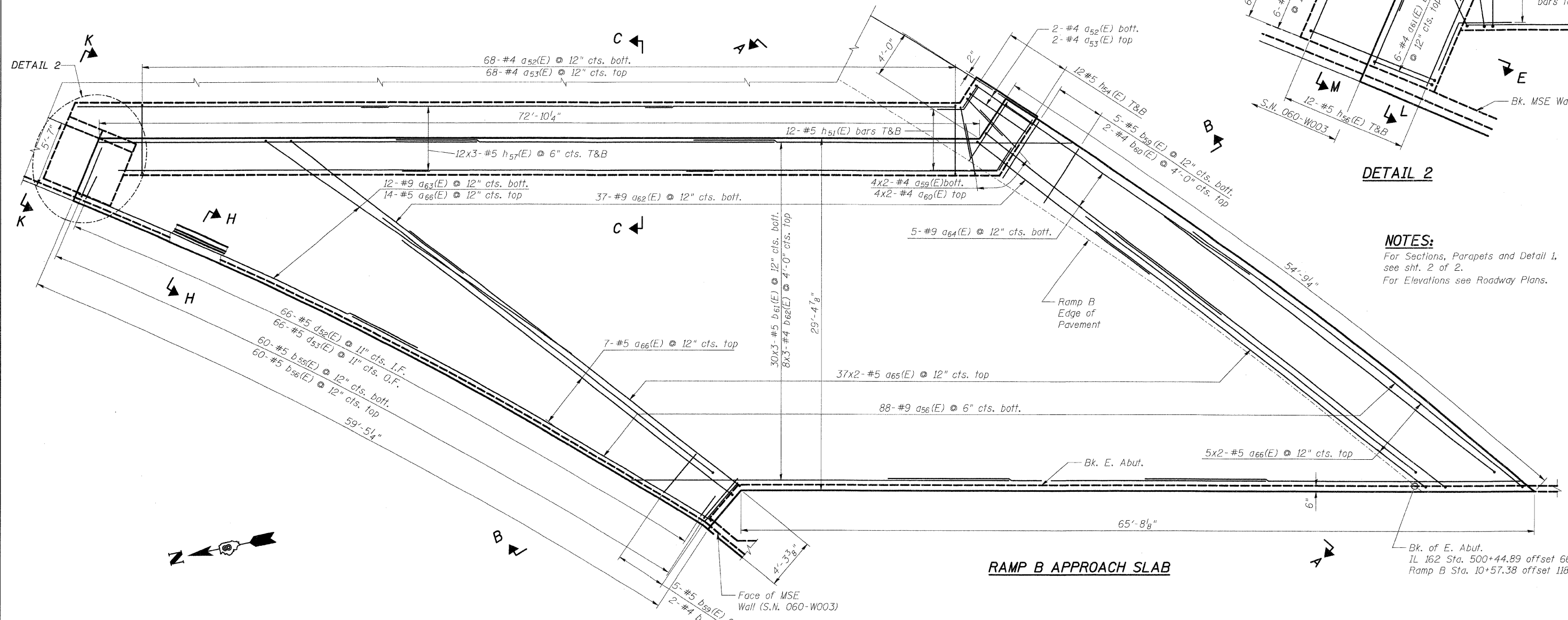
① Stagger #9 a56(E) bars as shown on plan - full width



DETAIL 2

NOTES:

For Sections, Parapets and Detail 1, see shf. 2 of 2.
For Elevations see Roadway Plans.



RAMP B APPROACH SLAB

Bk. of E. Abut.
IL 162 Sta. 500+44.89 offset 66.88' Lt.
Ramp B Sta. 10+57.38 offset 118.34' Lt.



REVISIONS	
NAME	DATE

ILLINOIS DEPARTMENT OF TRANSPORTATION
IL ROUTE 162 OVER I-55/70 IN TROY
F.A.I ROUTE 70 SECTION 60-10K-1, 60-10HB
MADISON COUNTY STATION 499+48.35
STRUCTURE NO. 060-0338
RAMP B APPROACH SLAB (SPECIAL)
DESIGNED: JAW
CHECKED: BTO
DRAWN: BTO
CHECKED: JAN
DATE: 4/06

SHT. 1 OF 2
STV Incorporated
Engineers/Architects/Planners/Construction Managers
200 W. Monroe Street, Suite 1650
Chicago, IL 60606-5015
312-553-0655, FAX 312-553-0661