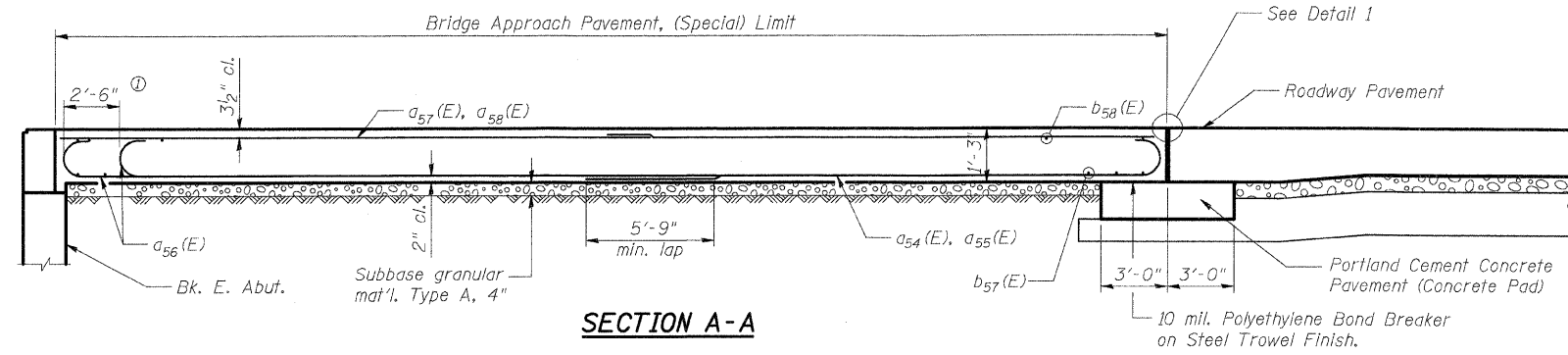
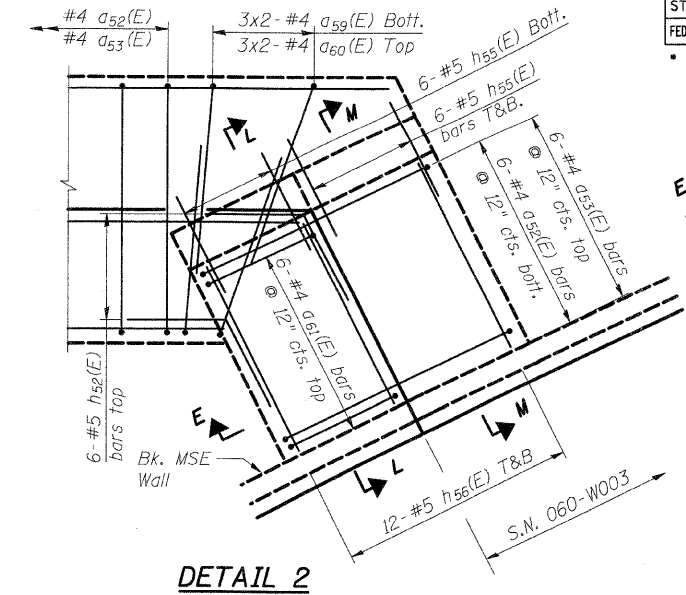


F.A.I. RTE.	SECTION	COUNTY	TOTAL SHEETS	SHEET NO.
70	*	MADISON	420	215
STA.	TO STA.			
FED. ROAD DIST. NO.	ILLINOIS	FED. AID PROJECT		
* 60-10K-1, 60-10HB CONTRACT NO. 76709				

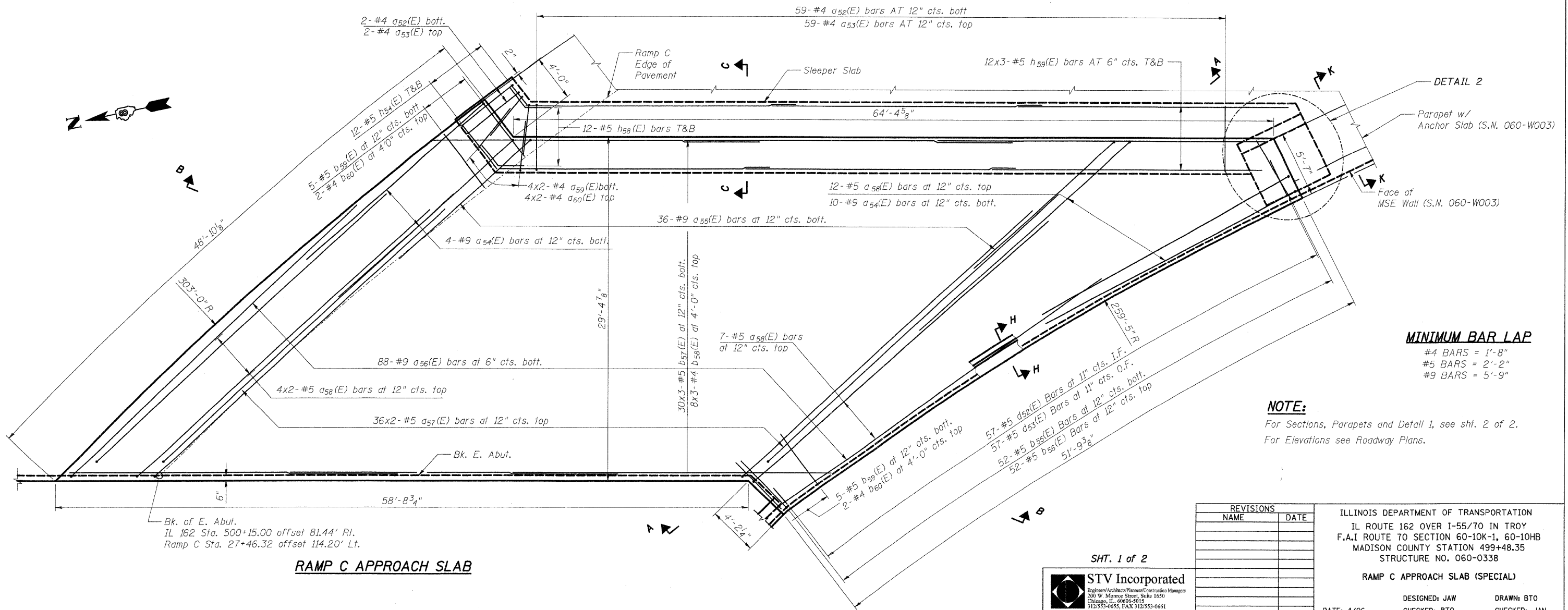


**SECTION A-A**

① Stagger #9 a56(E) bars as shown on plan - full width



**DETAIL 2**



**RAMP C APPROACH SLAB**

Bk. of E. Abut.  
IL 162 Sta. 500+15.00 offset 81.44' Rt.  
Ramp C Sta. 27+46.32 offset 114.20' Lt.

**MINIMUM BAR LAP**  
#4 BARS = 1'-8"  
#5 BARS = 2'-2"  
#9 BARS = 5'-9"

**NOTE:**  
For Sections, Parapets and Detail 1, see sht. 2 of 2.  
For Elevations see Roadway Plans.

REVISIONS	
NAME	DATE

ILLINOIS DEPARTMENT OF TRANSPORTATION  
IL ROUTE 162 OVER I-55/70 IN TROY  
F.A.I ROUTE 70 SECTION 60-10K-1, 60-10HB  
MADISON COUNTY STATION 499+48.35  
STRUCTURE NO. 060-0338  
**RAMP C APPROACH SLAB (SPECIAL)**  
DESIGNED: JAW DRAWN: BTO  
CHECKED: BTO CHECKED: JAN  
DATE: 4/06

SHT. 1 of 2

**STV Incorporated**  
Engineers/Architects/Planners/Construction Managers  
200 W. Monroe Street, Suite 1650  
Chicago, IL 60606-3015  
312/333-0655, FAX 312/553-0661