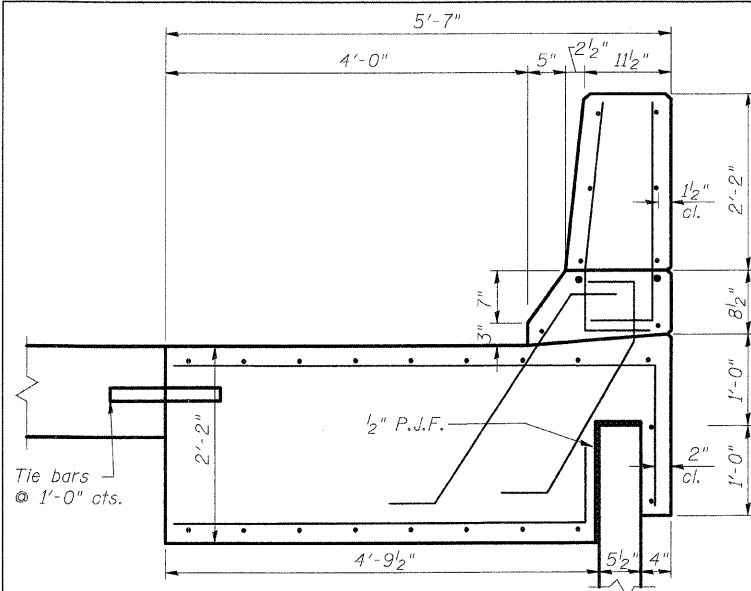
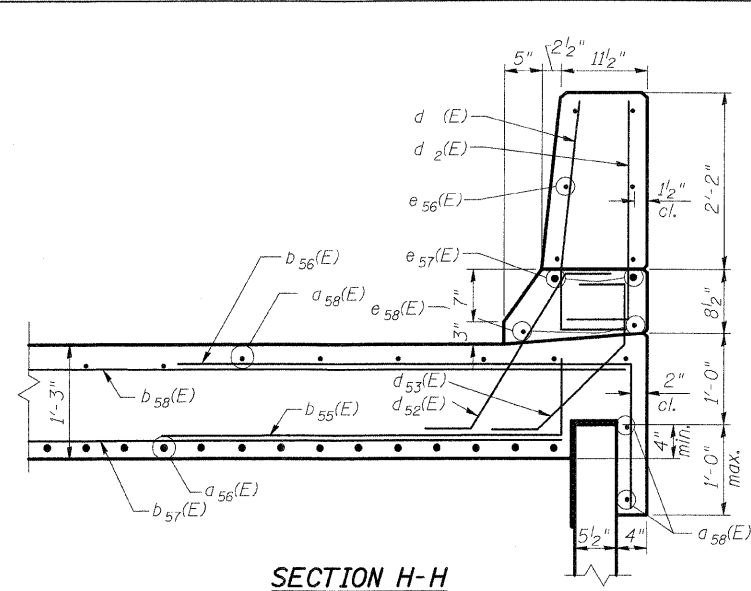


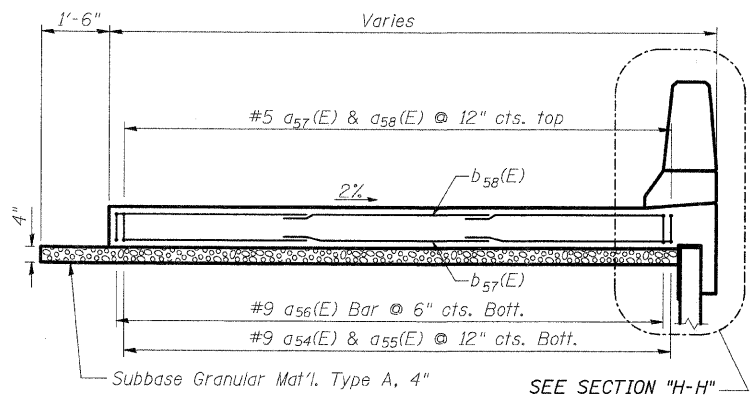
F.A.I. NO.	SECTION	COUNTY	TOTAL SHEETS	SHEET NO.
TO	MADISON	420	216	
STA.	TO STA.			
FED. ROAD DIST. NO.	ILLINOIS	FED. AID PROJECT		
• 60-10K-1, 60-10HB CONTRACT NO. 76709				



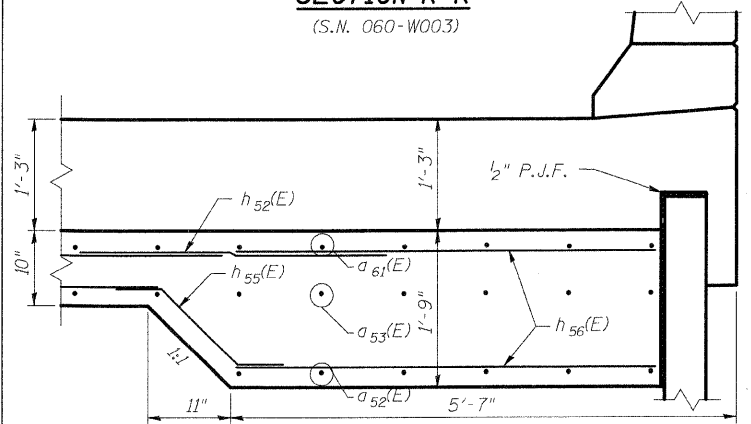
SECTION K-K
(S.N. 060-W003)



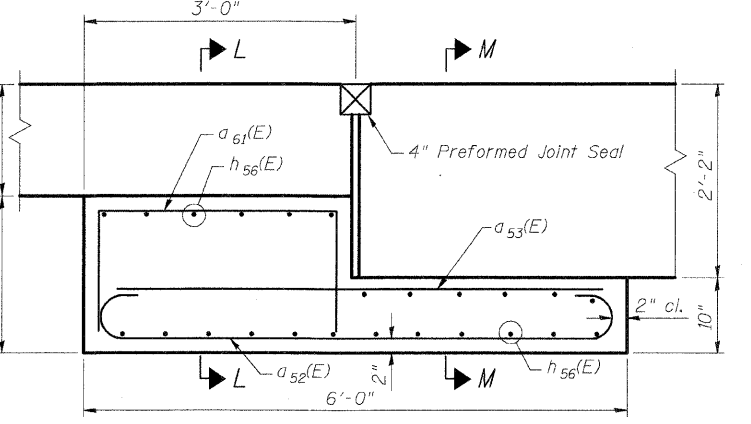
SECTION H-H



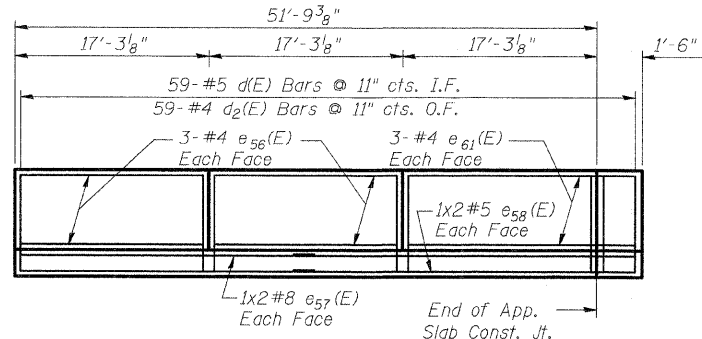
SECTION B-B



SECTION L-L



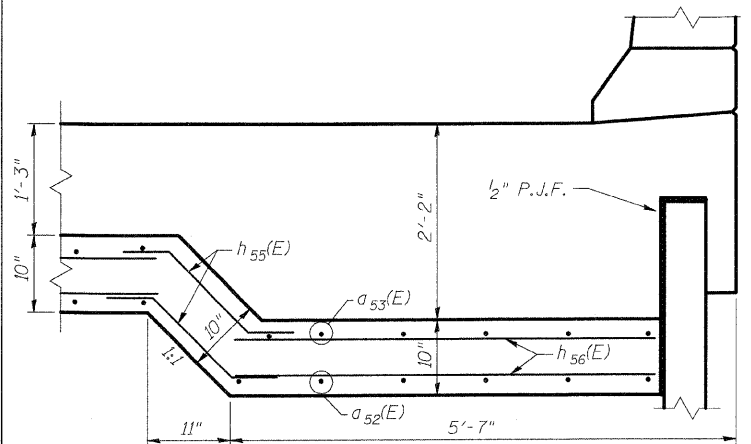
SECTION E-E



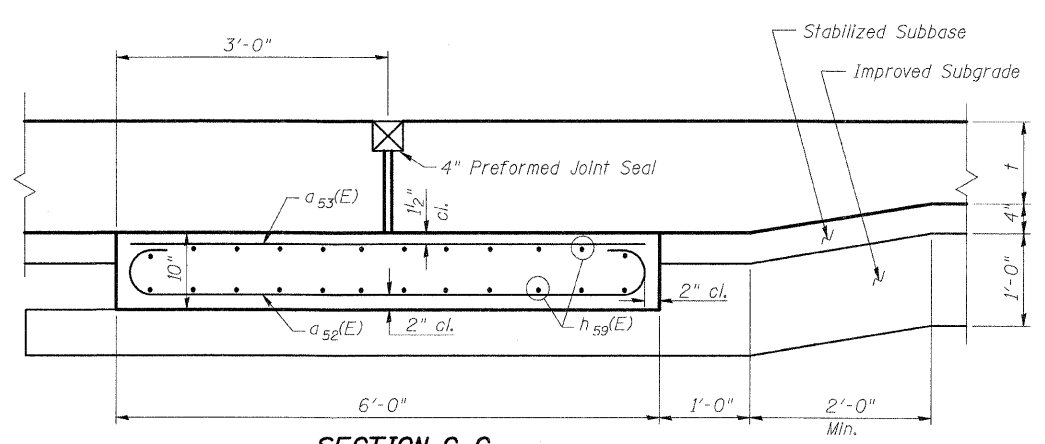
INSIDE PARAPET ELEVATION AT RAMP "C" APPROACH SLAB (SPECIAL)

MINIMUM BAR LAP

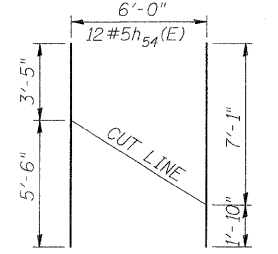
- #4 bars = 1'-8"
- #5 bars = 2'-2"
- #9 bars = 5'-9"



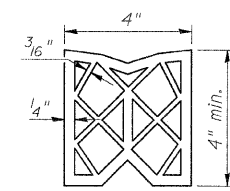
SECTION M-M



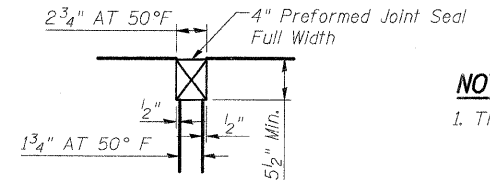
SECTION C-C



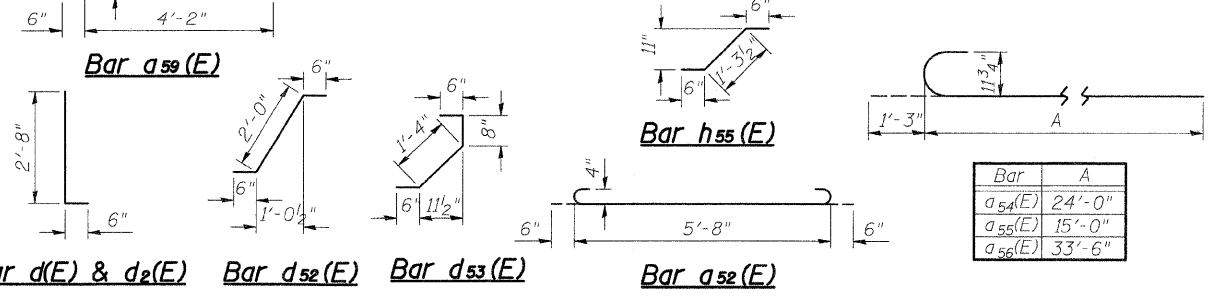
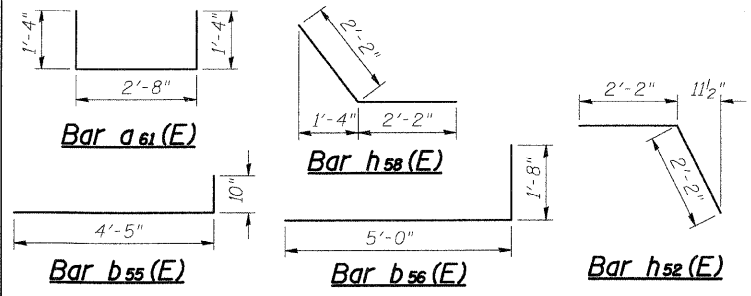
Bar h54(E) CUTTING DIAGRAM



PREFORMED JOINT SEAL



DETAIL 1



Bar	A
a54(E)	24'-0"
a55(E)	15'-0"
a56(E)	33'-6"

SHT. 2 OF 2



REVISIONS	
NAME	DATE

BILL OF MATERIAL RAMP "C"

Bar	No.	Size	Length	Shape
a52(E)	67	#4	6'-8"	┌───┐
a53(E)	67	#4	5'-8"	┌───┐
a54(E)	14	#9	25'-3"	┌───┐
a55(E)	36	#9	16'-3"	┌───┐
a56(E)	88	#9	34'-9"	┌───┐
a57(E)	72	#5	22'-7"	┌───┐
a58(E)	27	#5	27'-0"	┌───┐
a59(E)	14	#4	4'-8"	┌───┐
a60(E)	14	#4	4'-2"	┌───┐
a61(E)	6	#4	5'-4"	┌───┐
b55(E)	52	#5	5'-3"	┌───┐
b56(E)	52	#5	6'-8"	┌───┐
b57(E)	90	#5	27'-11"	┌───┐
b58(E)	24	#4	27'-7"	┌───┐
b59(E)	10	#5	6'-4"	┌───┐
b60(E)	4	#4	5'-10"	┌───┐
d(E)	59	#5	3'-2"	┌───┐
d2(E)	59	#4	3'-2"	┌───┐
d52(E)	57	#5	3'-0"	┌───┐
d53(E)	57	#4	3'-0"	┌───┐
e56(E)	12	#4	17'-0"	┌───┐
e57(E)	4	#8	28'-9"	┌───┐
e58(E)	4	#5	27'-7"	┌───┐
e61(E)	6	#4	18'-6"	┌───┐
h52(E)	6	#5	4'-4"	┌───┐
h54(E)	12	#5	8'-11"	┌───┐
h55(E)	18	#5	2'-4"	┌───┐
h56(E)	24	#5	4'-6"	┌───┐
h58(E)	48	#5	4'-4"	┌───┐
h59(E)	72	#5	22'-10"	┌───┐
Reinforcement Bars, Epoxy Coated		Pound	23,950	
Concrete		Cu. Yd.	120	
Preformed Joint Seal		Foot	74	
Concrete Pad		Sq. Yd.	49	
Polyethylene Bond Breaker		Sq. Yd.	49	
Bridge Approach Pavement (Special)		Sq. Yd.	238	

* Items included in the cost for Bridge Approach Pavement, (Special)

NOTES:

1. Thickness - "t" = thickness of pvmt.

ILLINOIS DEPARTMENT OF TRANSPORTATION
IL ROUTE 162 OVER I-55/70 IN TROY
F.A.I. ROUTE 70 SECTION 60-10K-1, 60-10HB
MADISON COUNTY STATION 499+48.35
STRUCTURE NO. 060-0338

RAMP C APPROACH SLAB DETAILS (SPECIAL)

DESIGNED: JAW DRAWN: BTO
CHECKED: BTO CHECKED: JAN
DATE: 4/06