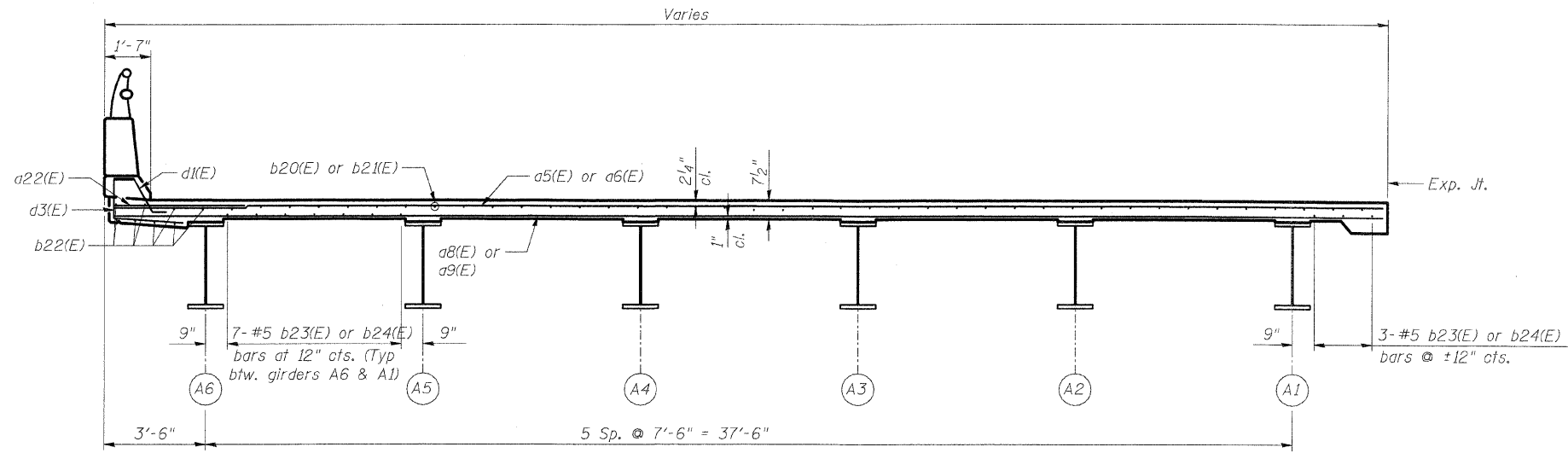
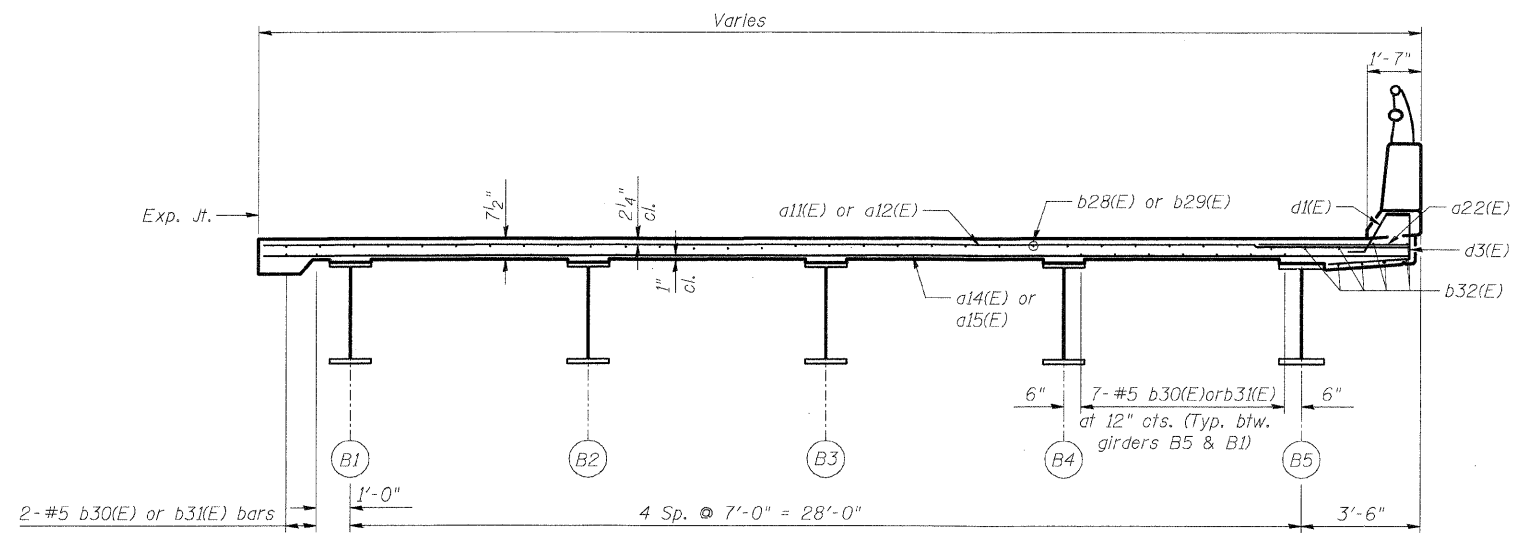


F.A.I. RTE.	SECTION	COUNTY	TOTAL SHEETS	SHEET NO.
70	60-10K-1,60-10HB	MADISON	420	240
STA.	TO STA.			
FED. ROAD DIST. NO.	ILLINOIS	FED. AID PROJECT		

CONTRACT NO. 76709



**DECK CROSS SECTION F-F**



**DECK CROSS SECTION G-G**

**NOTES:**

1. Reinforcement Bars designated (E) shall be epoxy coated.
2. For locations of sections F-F & G-G see Shts. S-17 & S-18.

REVISIONS	
NAME	DATE

ILLINOIS DEPARTMENT OF TRANSPORTATION  
 IL ROUTE 162 OVER I-55/70 IN TROY  
 F.A.I ROUTE 70 SECTION 60-10K-1, 60-10HB  
 MADISON COUNTY STATION 499+48.35  
 STRUCTURE NO. 060-0338

DECK CROSS SECTIONS - RAMPS A & B

DESIGNED: BTO  
 CHECKED: JAW  
 DATE: 03/06

DRAWN: BTO  
 CHECKED: JAW

SHT. S-22 OF S-68

**STV Incorporated**  
 Engineers/Architects/Planners/Construction Managers  
 200 W. Monroe Street, Suite 1650  
 Chicago, IL 60606-5015  
 312/855-0655, FAX 312/855-0661