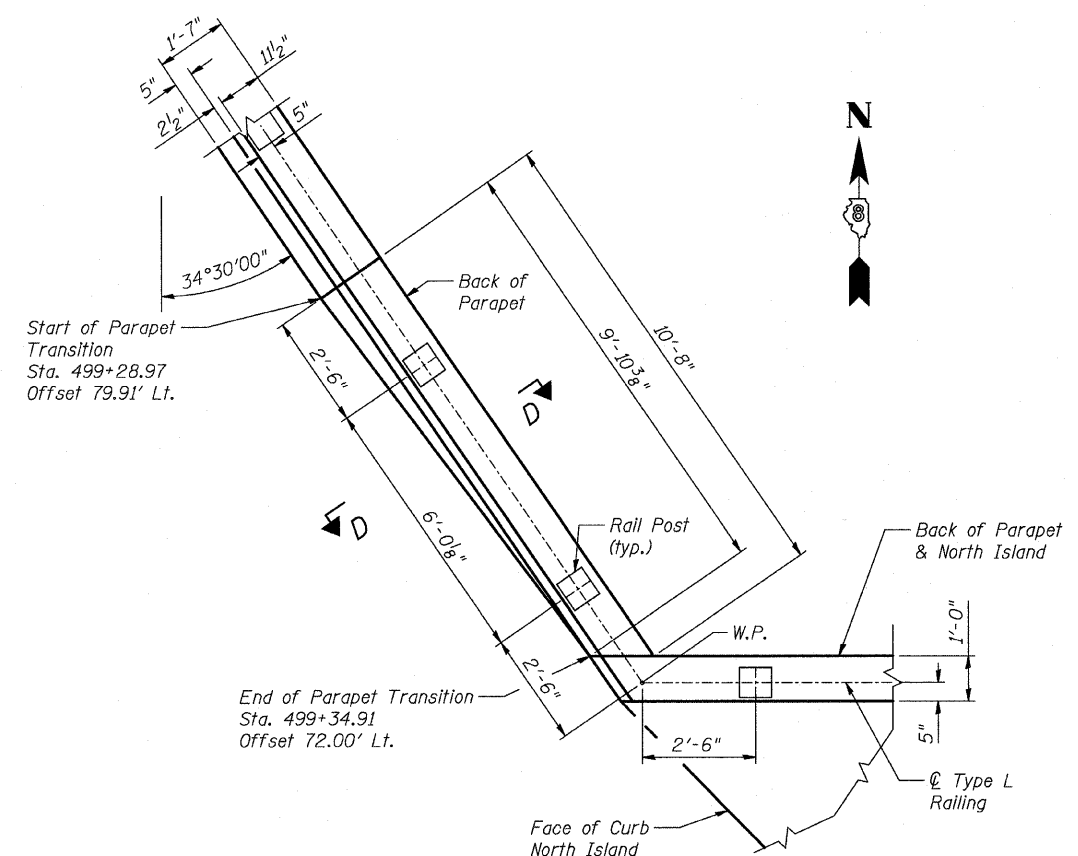
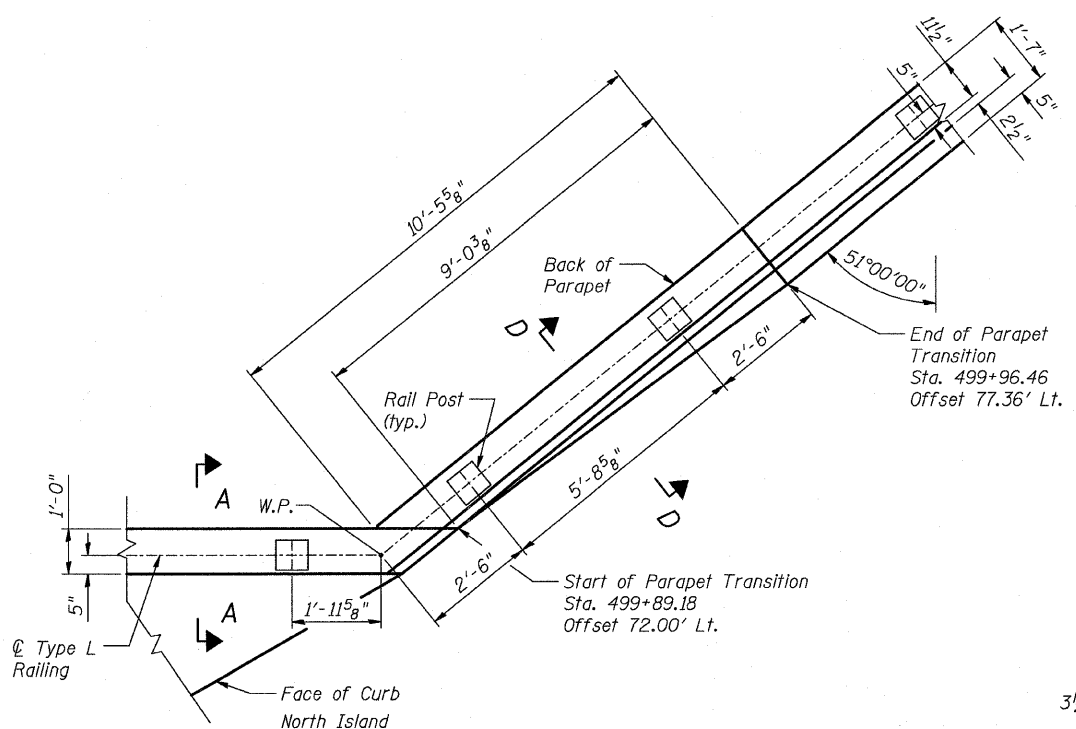


F.A.I. RTE.	SECTION	COUNTY	TOTAL SHEETS	SHEET NO.
70	60-10K-1,60-10HB	MADISON	420	245
STA.	TO STA.			
FED. ROAD DIST. NO.	ILLINOIS	FED. AID PROJECT		

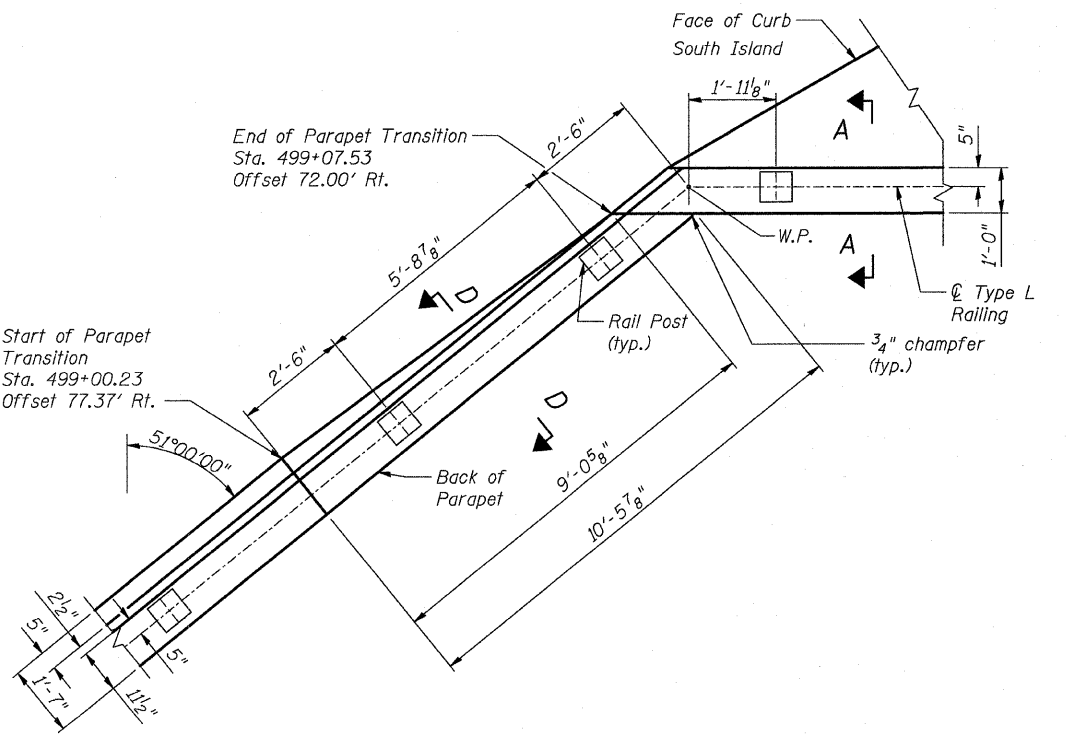
CONTRACT NO. 76709



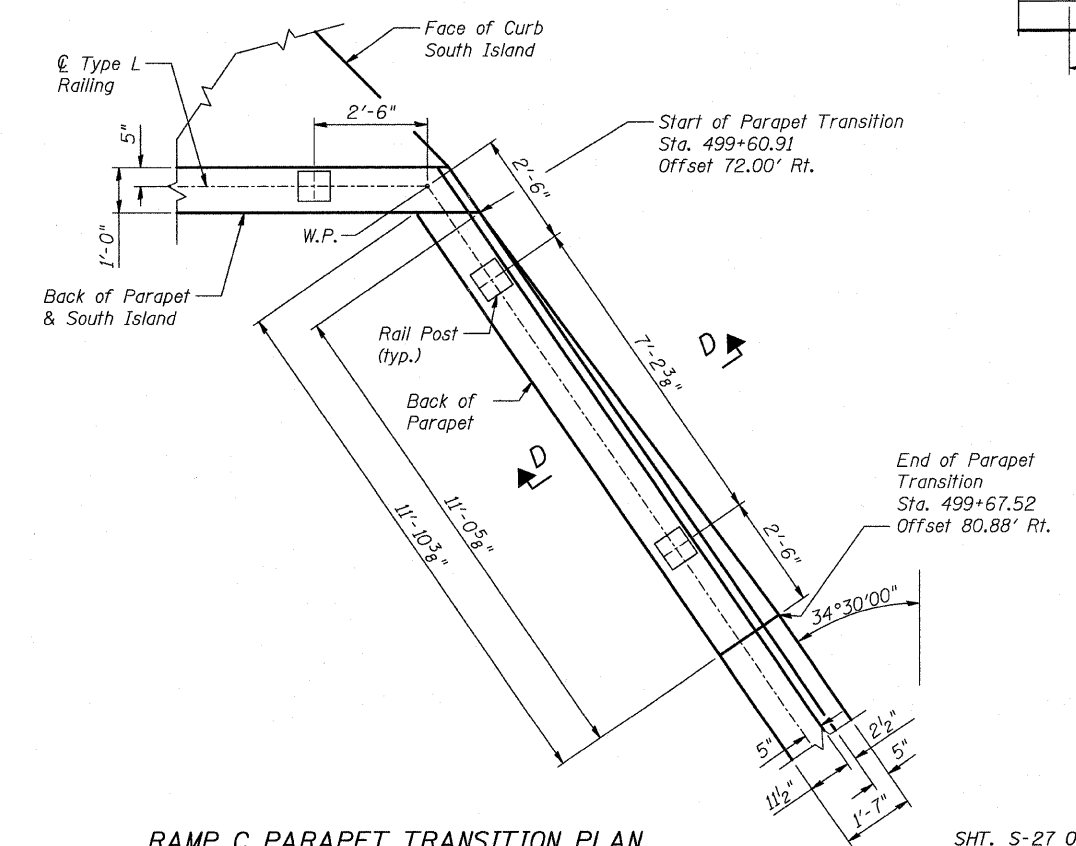
RAMP A PARAPET TRANSITION PLAN



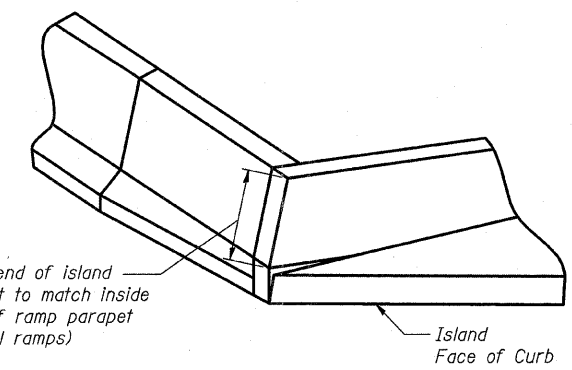
RAMP B PARAPET TRANSITION PLAN



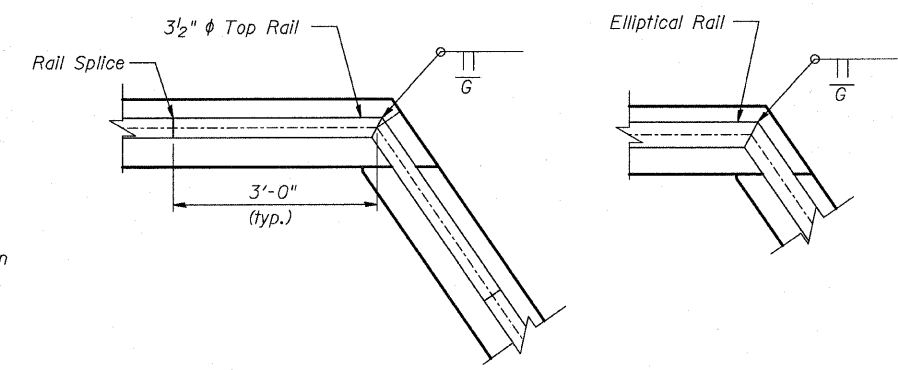
RAMP D PARAPET TRANSITION PLAN



RAMP C PARAPET TRANSITION PLAN



RAMP A INSIDE PARAPET ISOMETRIC VIEW



RAILING TRANSITION CONN. DETAIL (TYP.)

See Sht. S-36 for Railing Details

NOTES:

1. For section A-A, see Sht. S-26.
2. For section D-D, see Sht. S-24.
3. For typical section thru ramp parapet, see Sht. S-24.

STV Incorporated
 Engineers/Architects/Planners/Construction Managers
 200 W. Monroe Street, Suite 1650
 Chicago, IL 60606-5015
 312/553-0655, FAX 312/553-0661

SHT. S-27 OF S-68

REVISIONS	
NAME	DATE

ILLINOIS DEPARTMENT OF TRANSPORTATION
 IL ROUTE 162 OVER I-55/70 IN TROY
 F.A.I ROUTE 70 SECTION 60-10K-1, 60-10HB
 MADISON COUNTY STATION 499+48.35
 STRUCTURE NO. 060-0338

PARAPET DETAIL AT RAMP CORNERS

DESIGNED: BTO DRAWN: BTO
 CHECKED: JAW CHECKED: JAW

DATE: 03/06