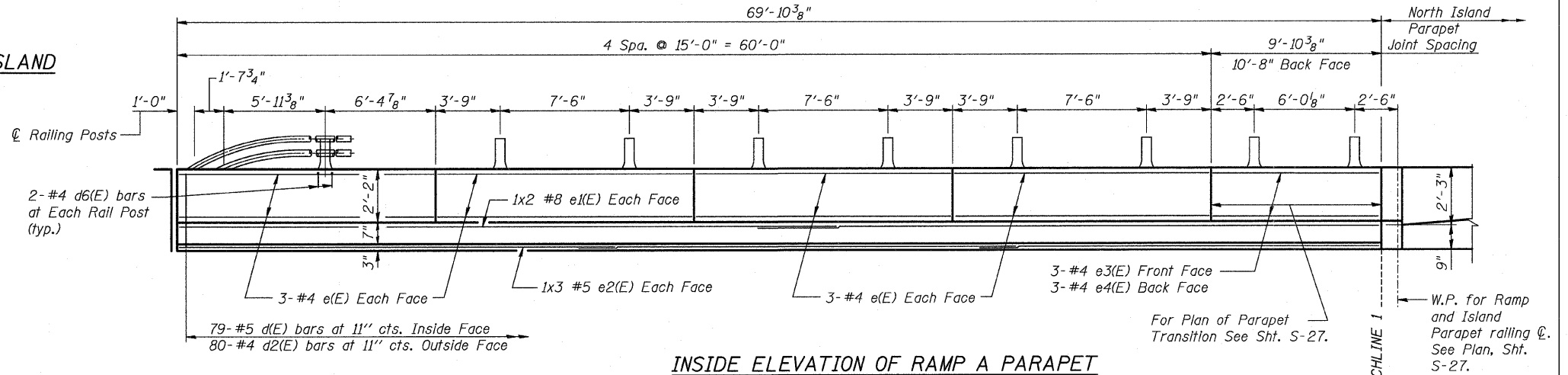
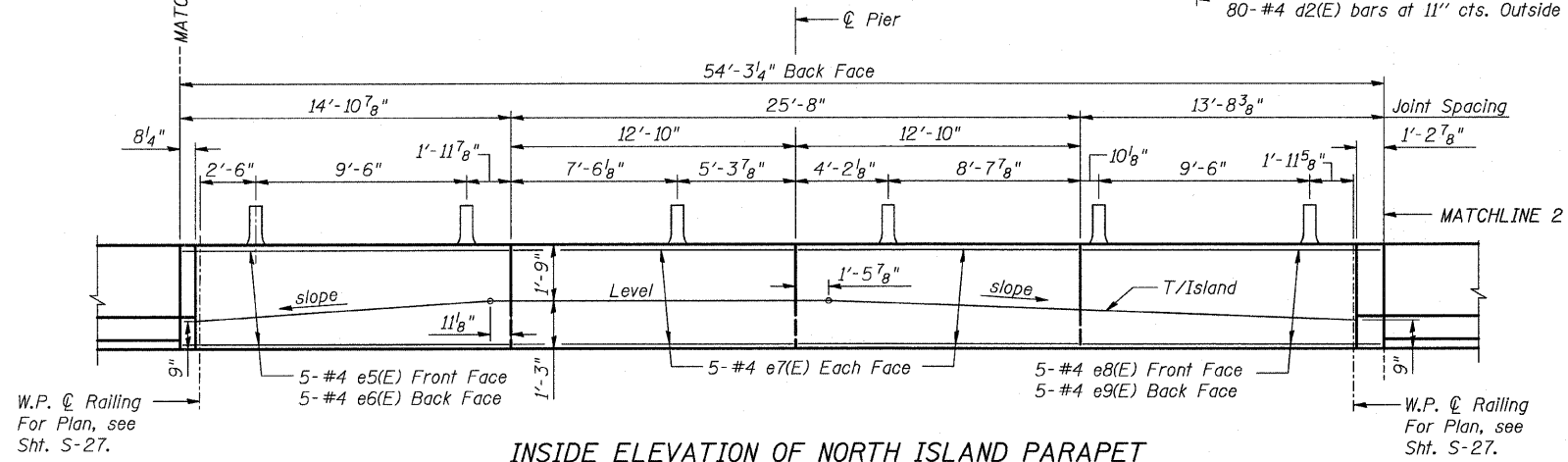


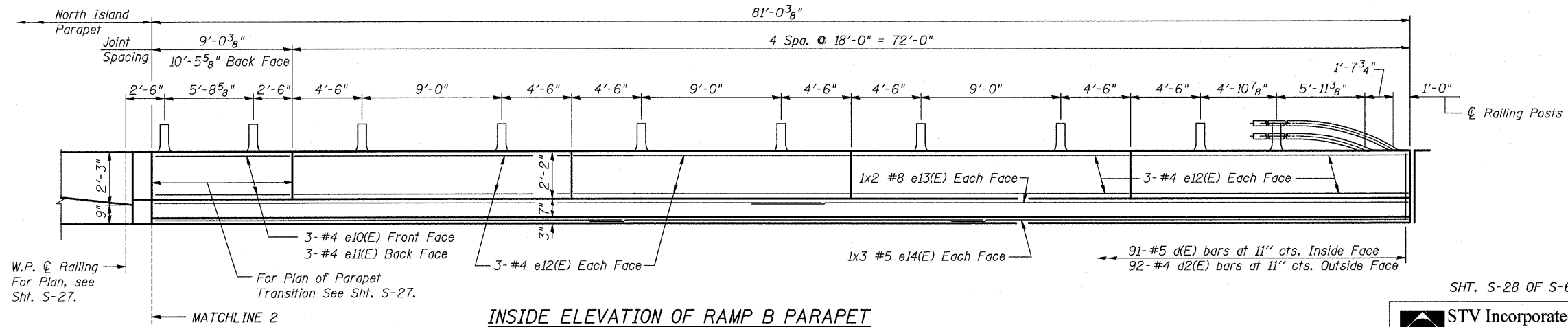
PARAPET JOINT DETAILS



INSIDE ELEVATION OF RAMP A PARAPET



INSIDE ELEVATION OF NORTH ISLAND PARAPET



INSIDE ELEVATION OF RAMP B PARAPET

MIN. BAR LAP

#5 - 2'-2"

#8 - 4'-6"

REVISIONS	
NAME	DATE

STV Incorporated
 Engineers/Architects/Planners/Construction Managers
 200 W. Monroe Street, Suite 1650
 Chicago, IL 60606-3015
 312/555-0655, FAX 312/553-0661

ILLINOIS DEPARTMENT OF TRANSPORTATION
 IL ROUTE 162 OVER I-55/70 IN TROY
 F.A.I. ROUTE 70 SECTION 60-10K-1, 60-10HB
 MADISON COUNTY STATION 499+48.35
 STRUCTURE NO. 060-0338
 PARAPET ELEVATIONS & DETAILS
 RAMPS A, B, & NORTH ISLAND

DESIGNED: BTO DRAWN: BTO
 CHECKED: JAW CHECKED: JAW

DATE: 03/06

SHT. S-28 OF S-68