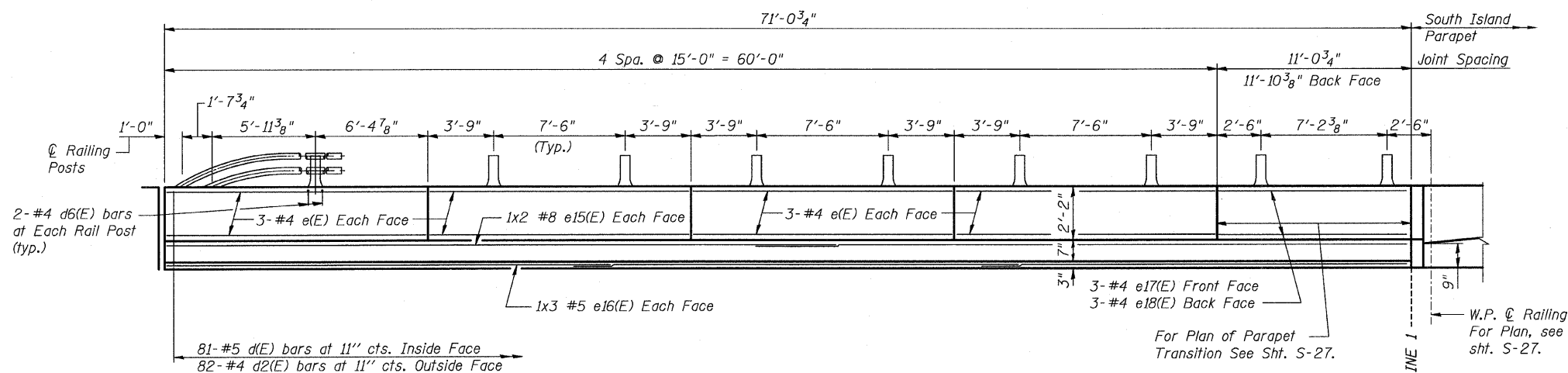
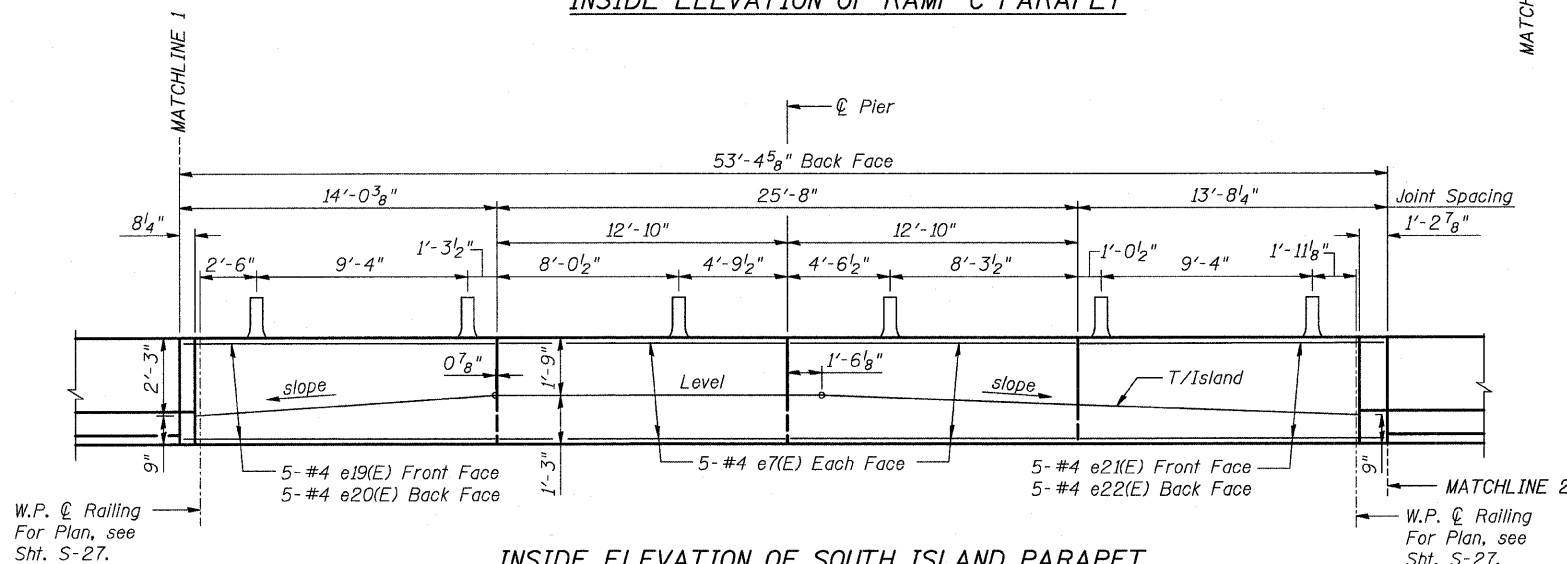


F.A.I. RTE.	SECTION	COUNTY	TOTAL SHEETS	SHEET NO.
70	60-10K-1,60-10HB	MADISON	420	247
STA.	TO STA.			
FED. ROAD DIST. NO.	ILLINOIS	FED. AID PROJECT		

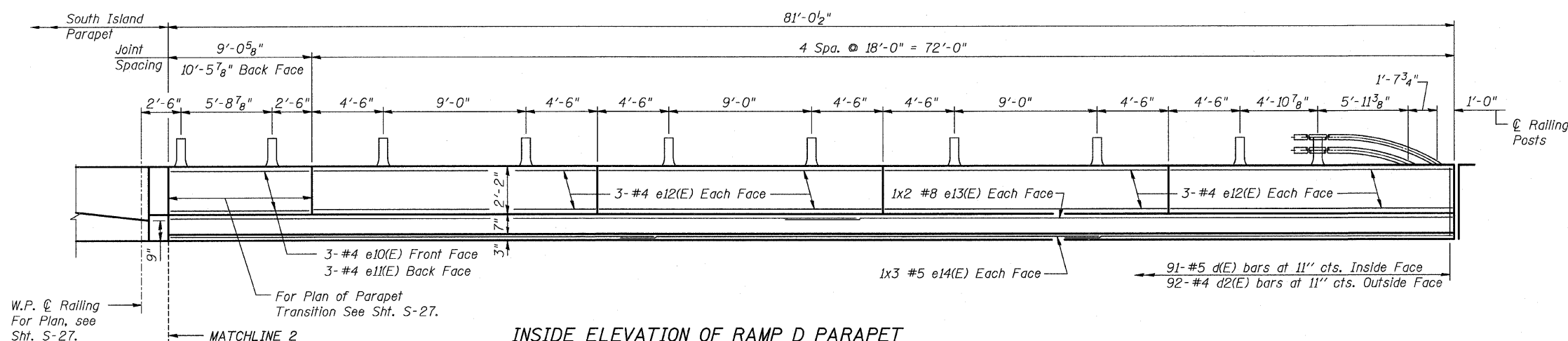
CONTRACT NO. 76709



INSIDE ELEVATION OF RAMP C PARAPET



INSIDE ELEVATION OF SOUTH ISLAND PARAPET



INSIDE ELEVATION OF RAMP D PARAPET

MIN. BAR LAP

- #5 - 2'-2"
- #8 - 4'-6"

REVISIONS	
NAME	DATE

ILLINOIS DEPARTMENT OF TRANSPORTATION
 IL ROUTE 162 OVER I-55/70 IN TROY
 F.A.I ROUTE 70 SECTION 60-10K-1, 60-10HB
 MADISON COUNTY STATION 499+48.35
 STRUCTURE NO. 060-0338
 PARAPET ELEVATIONS
 RAMPS B, C, & SOUTH ISLAND
 DESIGNED: BTO DRAWN: BTO
 CHECKED: JAW CHECKED: JAW
 DATE: 03/06

SHT. S-29 OF S-68

STV Incorporated
 Engineers/Architects/Planners/Construction Managers
 200 W. Monroe Street, Suite 1650
 Chicago, IL 60606-5015
 312/553-0655, FAX 312/553-0661