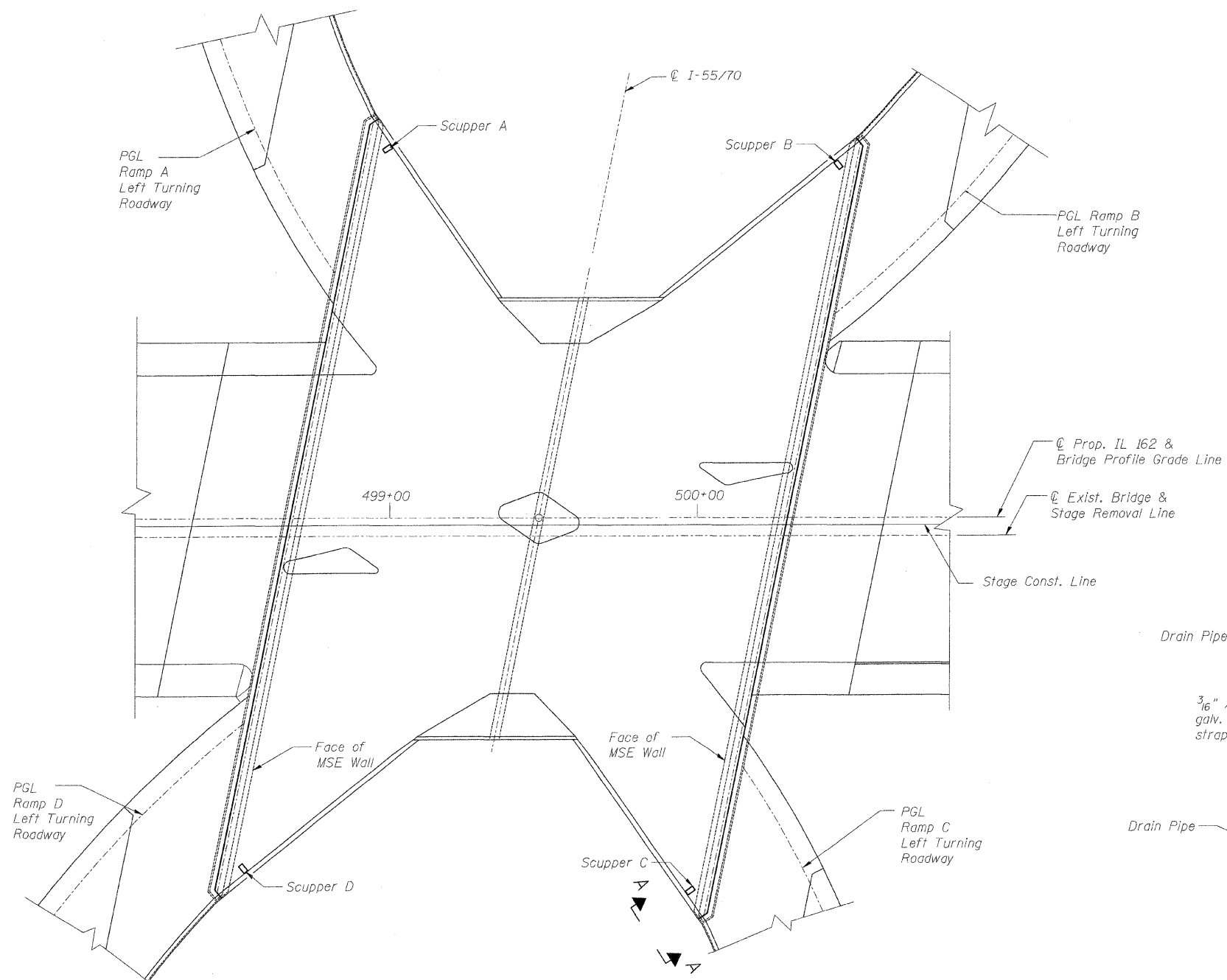


F.A.I. RTE.	SECTION	COUNTY	TOTAL SHEETS	SHEET NO.
70	60-10K-1,60-10HB	MADISON	420	252
STA.	TO STA.			
FED. ROAD DIST. NO.	ILLINOIS	FED. AID PROJECT		

CONTRACT NO. 76709



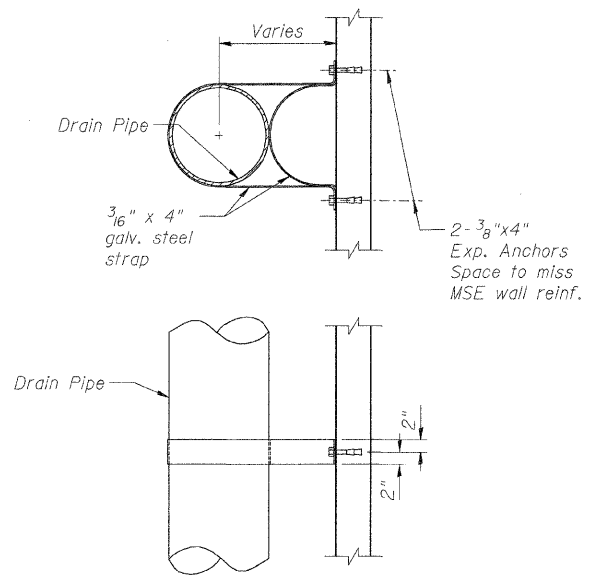
PLAN

Scupper	Station	Offset
A	49900.65	121.13 (L)
B	50044.68	116.41 (L)
C	49995.84	122.11 (R)
D	49852.01	116.42 (R)

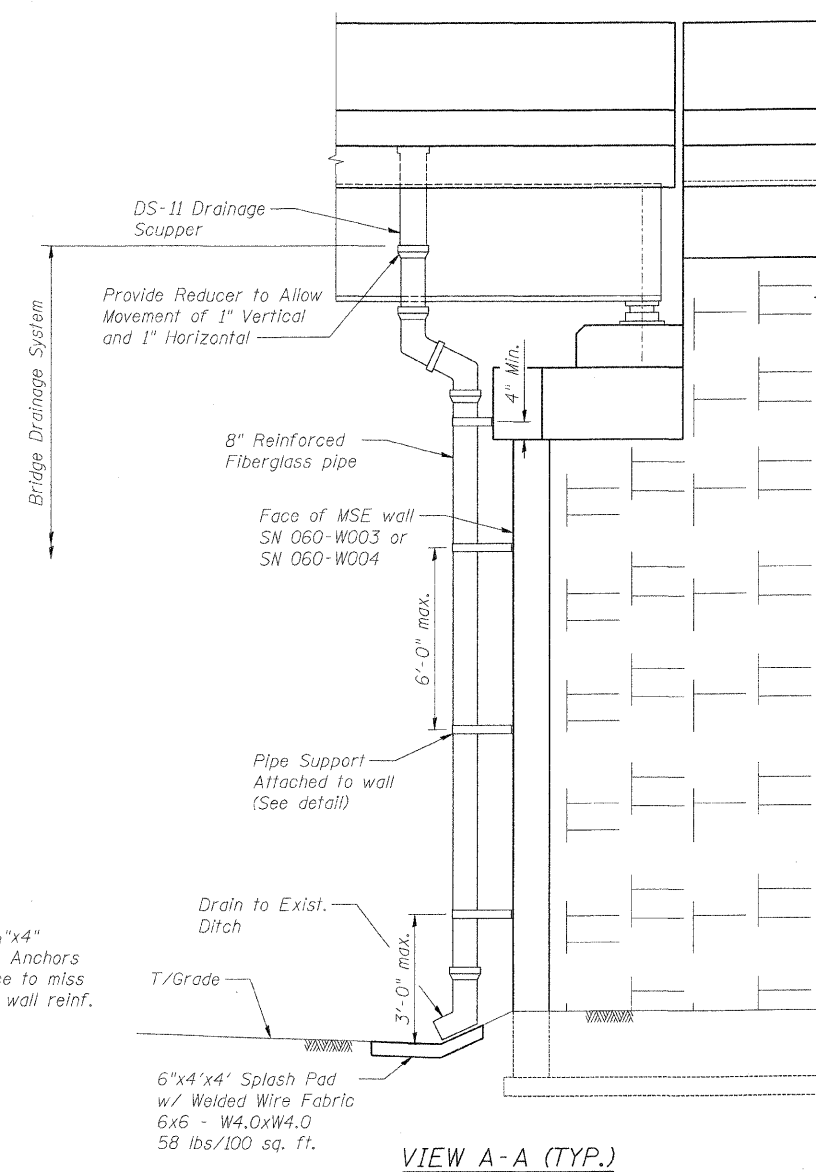
SCUPPER LOCATION TABLE

**NOTES:**

- See S-24 for section thru ramp parapet.
- For Scupper locations, see deck plans S-17 thru S-20.



PIPE BRACKET DETAIL AT MSE WALL



VIEW A-A (TYP.)

**BILL OF MATERIAL**

Item	Unit	Total
Drainage System	L.S.	1

REVISIONS	
NAME	DATE

ILLINOIS DEPARTMENT OF TRANSPORTATION  
 IL ROUTE 162 OVER I-55/70 IN TROY  
 F.A.I ROUTE 70 SECTION 60-10K-1, 60-10HB  
 MADISON COUNTY STATION 499+48.35  
 STRUCTURE NO. 060-0338

BRIDGE DRAINAGE SYSTEM

DESIGNED: JAN  
 CHECKED: AWB  
 DATE: 03/06

DRAWN: BTO  
 CHECKED: JAN

SHT. S-34 OF S-68

**STV Incorporated**  
 Engineers/Architects/Planners/Construction Managers  
 200 W. Monroe Street, Suite 1650  
 Chicago, IL 60606-3015  
 312/233-0653, FAX 312/253-0661