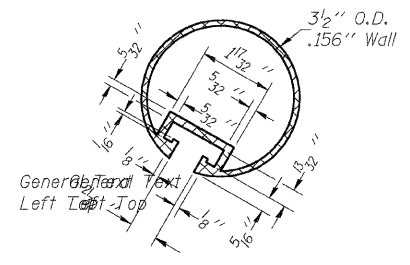
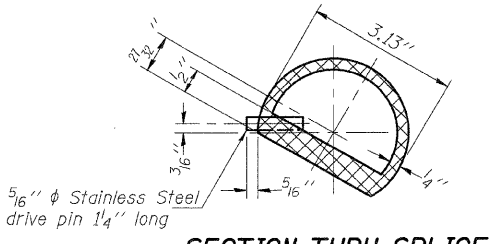


F.A.I. RTE.	SECTION	COUNTY	TOTAL SHEETS	SHEET NO.
TO 60-10K-1, 60-10HB	MADISON	420	254	
STA.	TO STA.			
FED. ROAD DIST. NO.	ILLINOIS	FED. AID PROJECT		

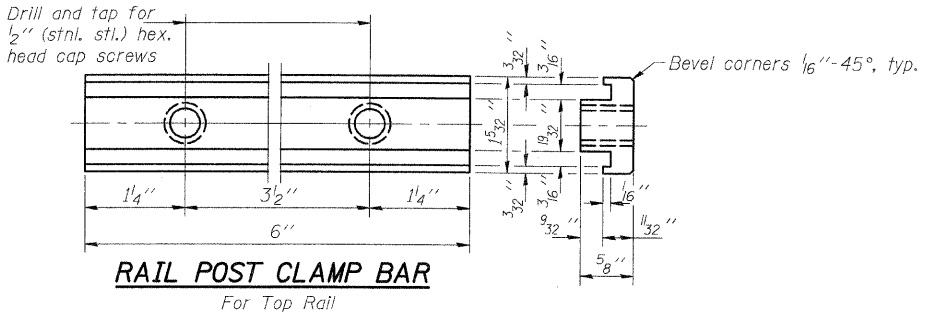
CONTRACT NO. 76709



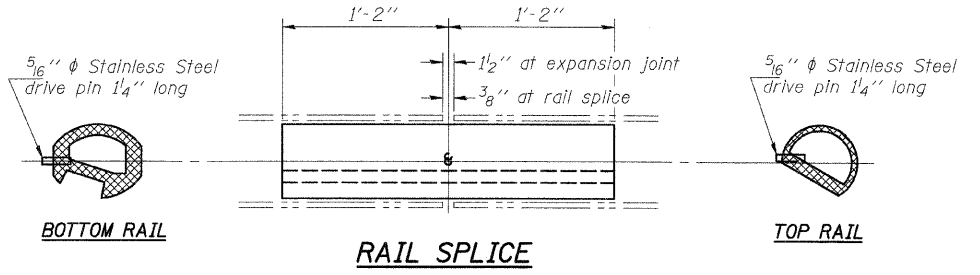
SECTION THRU TOP RAIL



SECTION THRU SPLICE  
For Top Rail

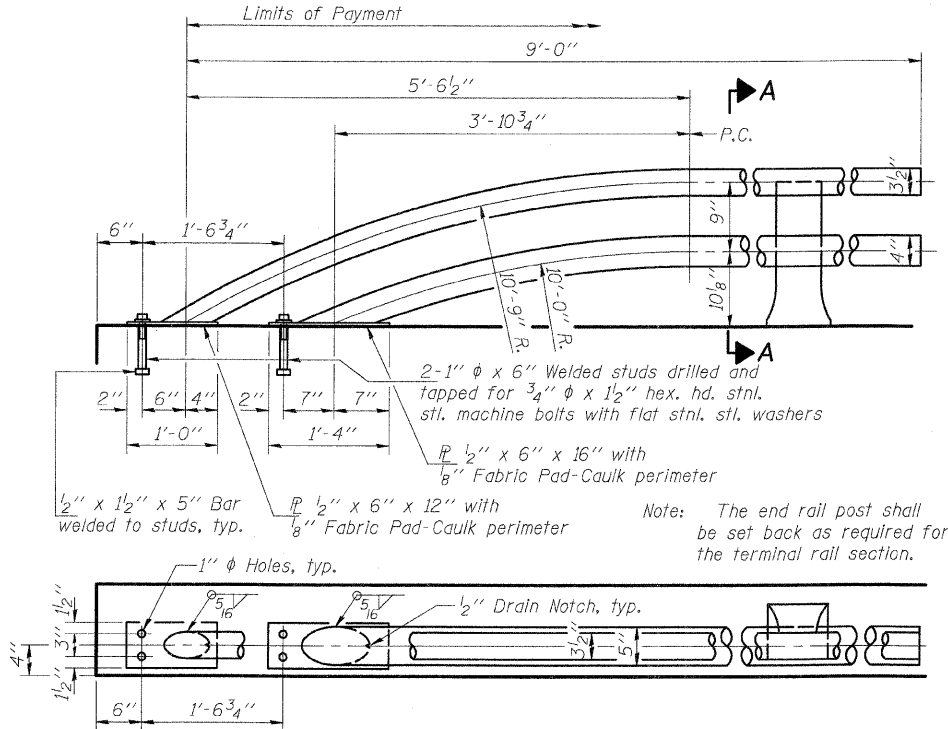


RAIL POST CLAMP BAR  
For Top Rail



RAIL SPLICE

Notes: All Posts shall be normal to parapet.  
All Aluminum Alloy Extruded Rail shall be supplied in modular lengths of 30 feet, except at the end of bridge or over open joints in bridge deck where the rail shall be attached to a minimum of 2 posts. If the rail is on a horizontal curve of 2300 foot radius or less, the modular lengths may be reduced but shall be attached to a minimum of 2 posts.  
All joints in rail shall be spliced per detail.  
Provide 1-1/8" and 2-1/16" Aluminum Shims for 25% of the Posts. Rail elements shall be parallel to Grade-high spots will be ground and low spots shimmed.  
Railing shall be according to Section 509 of the Standard Specifications, except as noted, and will be paid for at the contract unit price per foot for ALUMINUM RAILING, TYPE L.  
Aluminum alloy rail shall conform to ASTM B 221 alloy 6061-T6 or 6351-T5 with min. yield 35 ksi, min. tensile 38 ksi, and elongation of 10% in 2 inches.

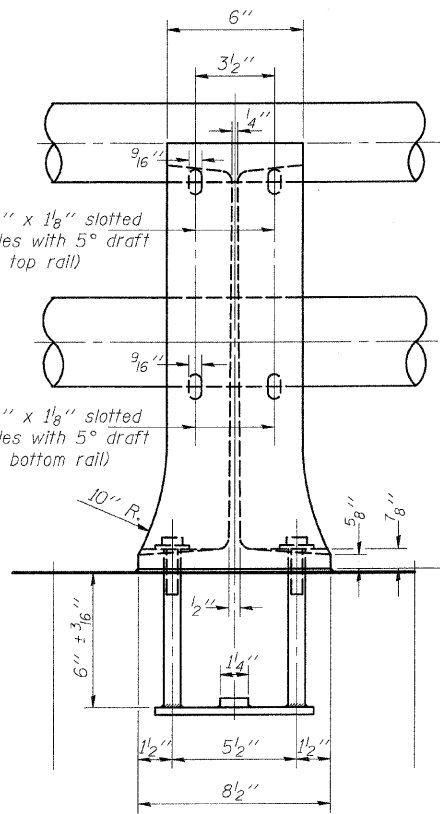


RAIL TERMINAL SECTION

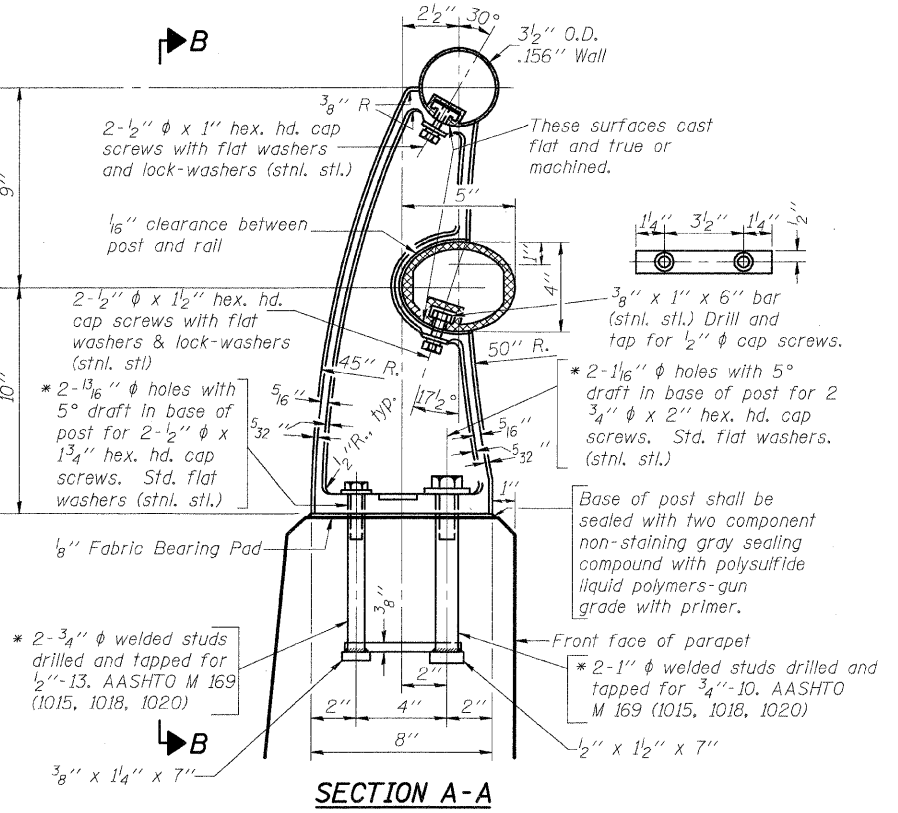
BILL OF MATERIAL

Item	Unit	Quantity
Aluminum Railing, Type L	Foot	408

TYPE L ALUMINUM RAILING

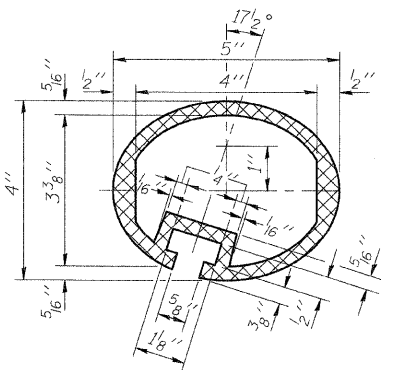


VIEW B-B

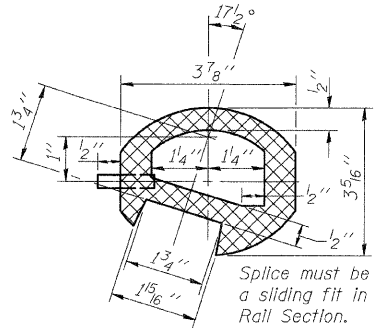


SECTION A-A

RAIL POST DETAILS



SEC. THRU ELLIPTICAL RAIL SECTION



SEC. THRU SPLICE

\* In lieu of the cast-in-place anchor device shown, the Contractor has the option of drilling and epoxy grouting stainless steel anchor rods of the same diameter and grade as the specified cap screws. Embedment shall be according to the manufacturer's specifications.

SHT. S-36 OF S-68

**STV Incorporated**  
Engineers/Architects/Planners/Construction Managers  
200 W. Monroe Street, Suite 1550  
Chicago, IL 60606-5013  
312-553-0055, FAX 312-553-0661

REVISIONS	
NAME	DATE

ILLINOIS DEPARTMENT OF TRANSPORTATION  
IL ROUTE 162 OVER I-55/70 IN TROY  
F.A.I. ROUTE 70 SECTION 60-10K-1, 60-10HB  
MADISON COUNTY STATION 499+48.35  
STRUCTURE NO. 060-0338

TYPE L RAILING

DESIGNED: BTO  
CHECKED: JAN

DRAWN: BTO  
CHECKED: JAN

DATE: 03/06