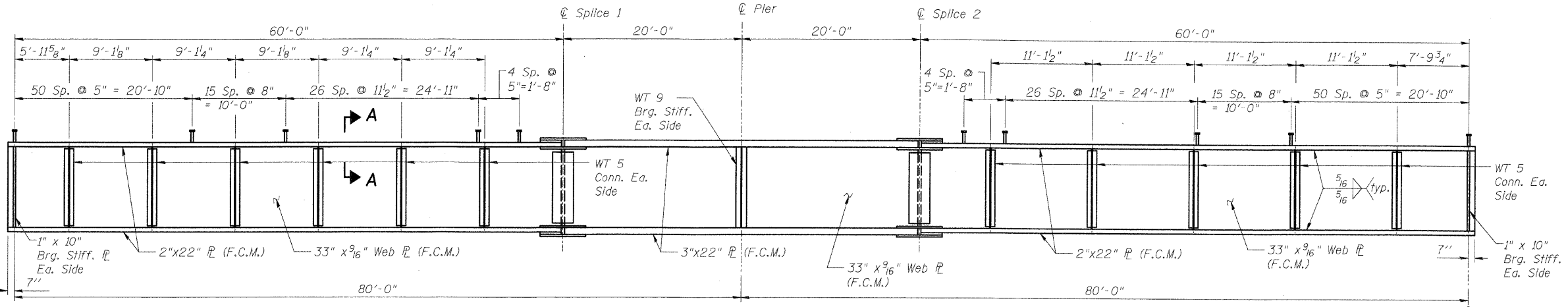
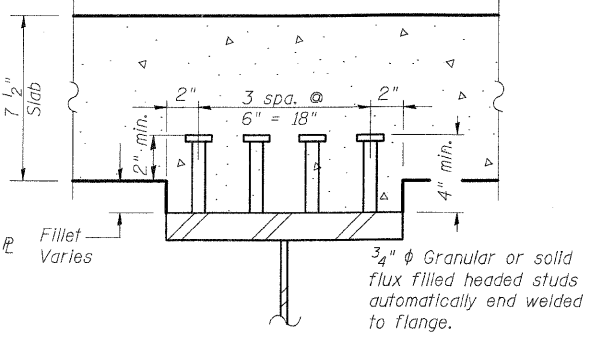


F.A.I. RTE.	SECTION	COUNTY	TOTAL SHEETS	SHEET NO.
TO 60-10K-1,60-10HB	MADISON	420	259	
STA.	TO STA.			
FED. ROAD DIST. NO. ILLINOIS FED. AID PROJECT				

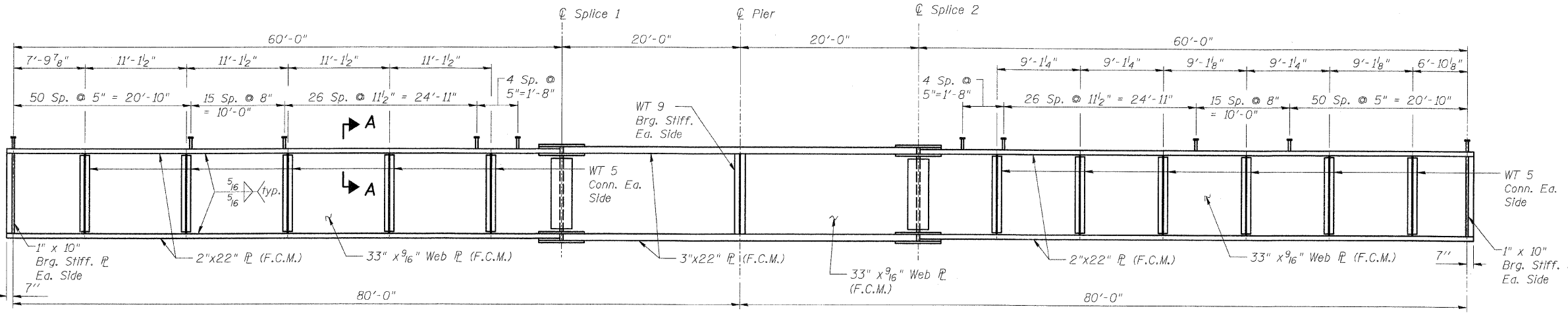
CONTRACT NO. 76709



ELEVATION GIRDER 1
(Looking North)



SECTION A-A



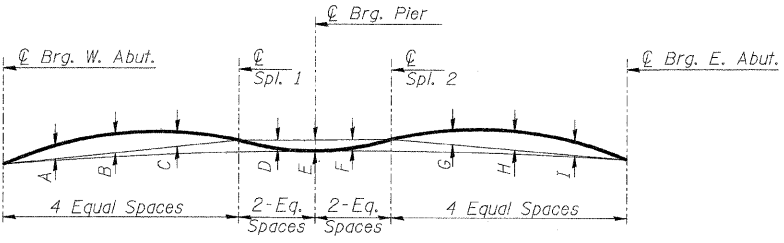
ELEVATION GIRDER 17
(Looking North)

BILL OF MATERIAL

Item	Unit	Total
Stud Shear Connectors	Each	1536

TOP OF WEB ELEVATIONS
(For Fabrication Only)

GIRDER	WEST ABUT. BRG.	Q SPLICE 1	Q PIER	Q SPLICE 2	EAST ABUT. BRG.
1	585.718	585.890	585.877	585.948	585.950
2	585.870	586.088	586.077	586.149	586.114
16	585.662	585.989	586.014	586.122	586.196
17	585.494	585.783	585.810	585.919	586.039



CAMBER DIAGRAM

GIRDER	A	B	C	D	E	F	G	H	I
1	1/2	5/8	1/2	1/8	1/2	1/8	1/2	5/8	1/2
2	1/2	3/4	1/2	1/8	1/2	1/8	1/2	3/4	1/2
16	1/2	3/4	1/2	1/8	1/2	1/8	1/2	3/4	1/2
17	1/2	5/8	1/2	1/8	1/2	1/8	1/2	5/8	1/2

CAMBER VALUES
(Dimensions in inches)

NOTES:

1. F.C.M. denotes fracture critical member or Member Component.
2. For splice details, see Sht. S-47.
3. For Bearing Stiffener details, see Sht. S-48.
4. For Ramp Beam connection details, see Sht. S-49.
5. All steel shown on this sheet shall be AASHTO M270 Grade 50.

SHT. S-41 OF S-68

STV Incorporated
Engineers/Architects/Planners/Construction Managers
200 W. Monroe Street, Suite 1650
Chicago, IL 60606-5015
312/553-0655, FAX 312/553-0661

REVISIONS	
NAME	DATE

ILLINOIS DEPARTMENT OF TRANSPORTATION
IL ROUTE 162 OVER I-55/70 IN TROY
F.A.I ROUTE 70 SECTION 60-10K-1, 60-10HB
MADISON COUNTY STATION 499+48.35
STRUCTURE NO. 060-0338

ELEVATION - GIRDERS 1 & 17

DESIGNED: AWH
CHECKED: JAN
DATE: 03/06
DRAWN: BTO
CHECKED: JAN