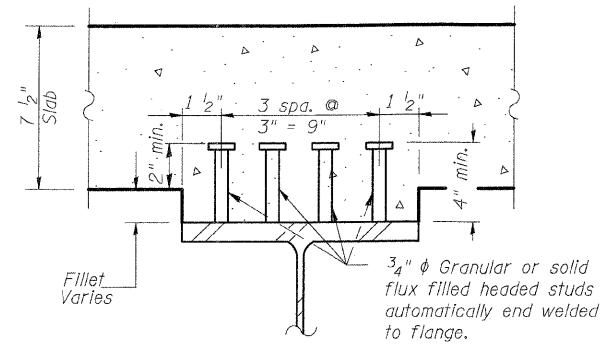
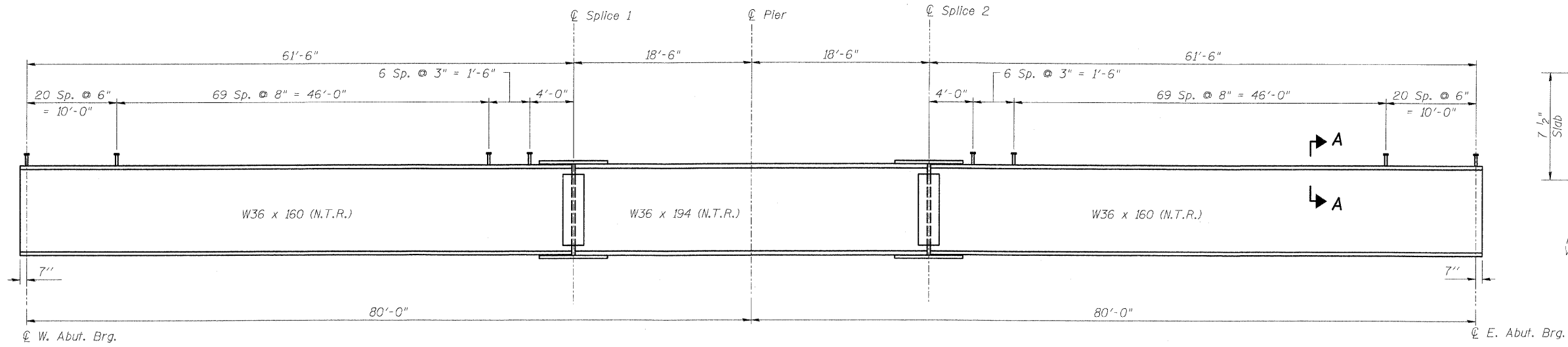


F.A.I. RTE.	SECTION	COUNTY	TOTAL SHEETS	SHEET NO.
70	60-10K-1,60-10HB	MADISON	420	261
STA.		TO STA.		
FED. ROAD DIST. NO.		ILLINOIS FED. AID PROJECT		

CONTRACT NO. 76709



ELEVATION GIRDERS 3-15

SECTION A-A

TOP OF GIRDER ELEVATION (GIRDERS 3-15)
(For Fabrication Only)

GIRDER	WEST ABUT. BRG.	☉ SPLICE 1	☉ PIER	☉ SPLICE 2	EAST ABUT. BRG.
3	586.165	586.385	586.415	586.446	586.429
4	586.335	586.562	586.595	586.628	586.620
5	586.504	586.740	586.775	586.811	586.810
6	586.661	586.905	586.942	586.980	586.988
7	586.784	587.036	587.076	587.116	587.132
8	586.907	587.167	587.209	587.252	587.275
9	587.030	587.298	587.343	587.388	587.419
10	586.878	587.153	587.201	587.248	587.287
11	586.725	587.008	587.058	587.108	587.155
12	586.572	586.863	586.916	586.968	587.023
13	586.386	586.685	586.739	586.794	586.857
14	586.186	586.494	586.551	586.607	586.678
15	585.987	586.302	586.361	586.421	586.500

BILL OF MATERIAL

Item	Unit	Total
Stud Shear Connectors	Each	9984

NOTES:

1. N.T.R. denotes members to which notch toughness requirements are applicable.
2. For splice details, see Sht. S-47.
3. For Diaphragm details, see Shts. S-48 & S-49.
4. All steel shown on this sheet shall be AASHTO M270 Grade 50.

SHT. S-43 OF S-68



REVISIONS	
NAME	DATE

ILLINOIS DEPARTMENT OF TRANSPORTATION
 IL ROUTE 162 OVER I-55/70 IN TROY
 F.A.I ROUTE 70 SECTION 60-10K-1, 60-10HB
 MADISON COUNTY STATION 499+48.35
 STRUCTURE NO. 060-0338
 ELEVATION - GIRDERS 3 THRU 15
 TOP OF GIRDER ELEVATIONS
 DESIGNED: BTO DRAWN: BTO
 CHECKED: RPM CHECKED: BJG
 DATE: 03/06