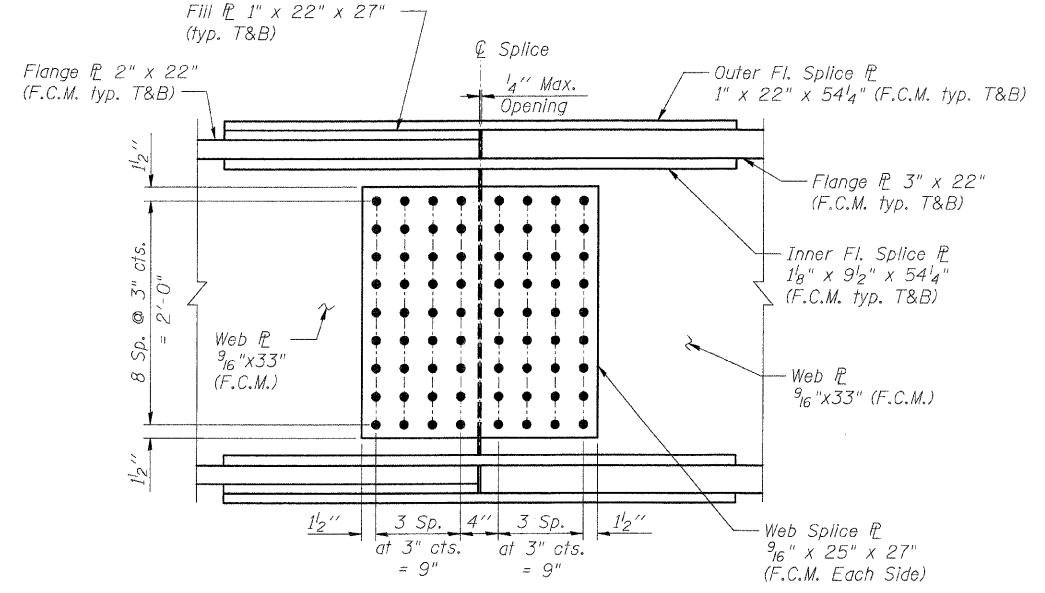
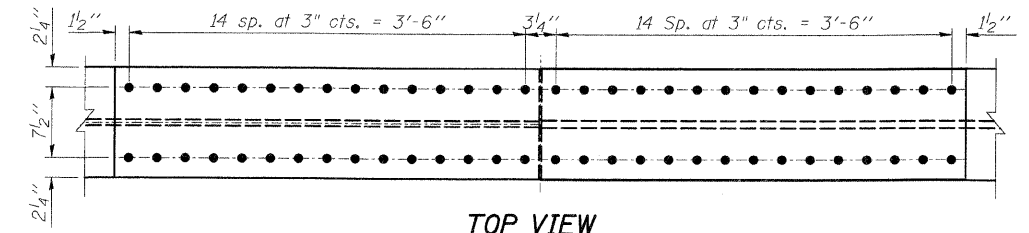


TOP VIEW

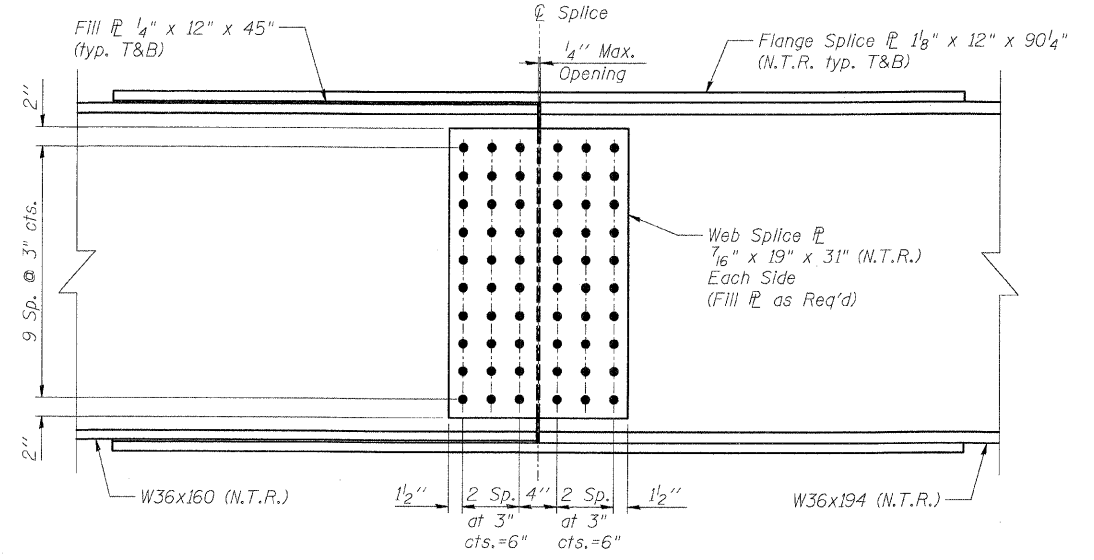


ELEVATION

SPLICE (GIRDERS 1 & 17)

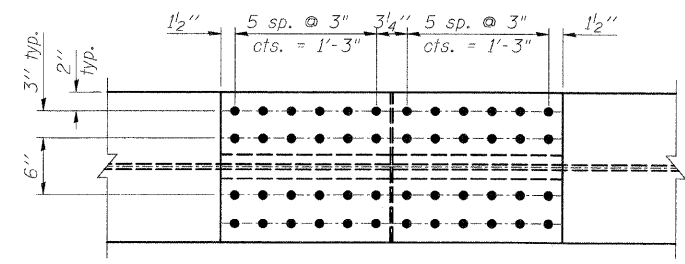


TOP VIEW

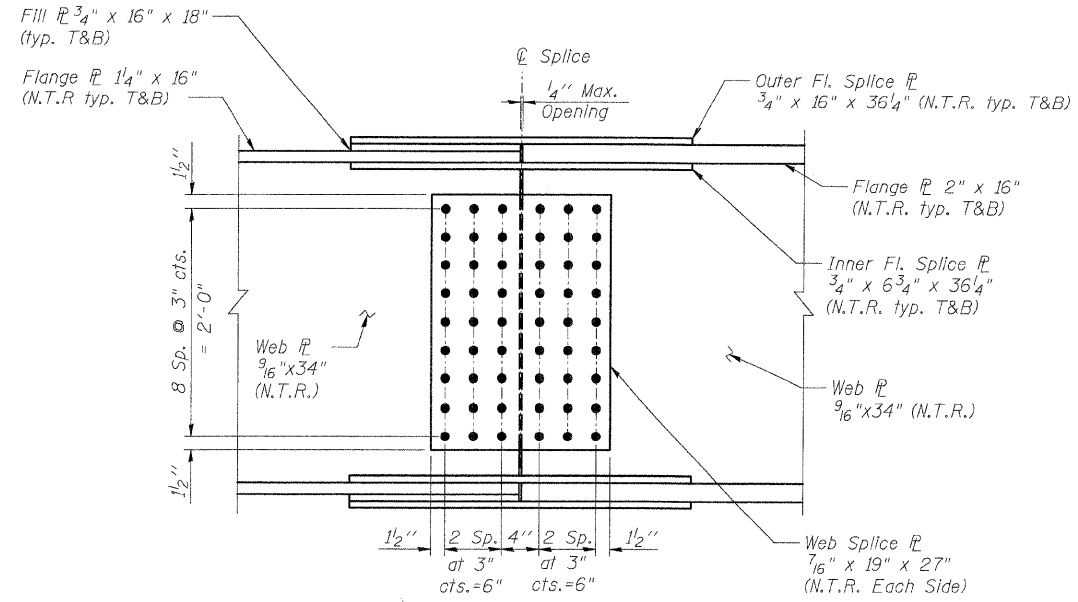


ELEVATION

SPLICE (GIRDERS 3-15)



TOP VIEW



ELEVATION

SPLICE (GIRDERS 2 & 16)

**NOTES:**

1. F.C.M. denotes Fracture Critical Member.
2. N.T.R. denotes members to which notch toughness requirements are applicable.
3. Structural steel for splice plates shall be AASHTO M270 Grade 50.
4. High Strength bolts shall conform to AASHTO M-164 specification. Bolts shall be 7/8"  $\phi$ , open holes 15/16"  $\phi$ .

REVISIONS	
NAME	DATE

ILLINOIS DEPARTMENT OF TRANSPORTATION  
 IL ROUTE 162 OVER I-55/70 IN TROY  
 F.A.I ROUTE 70 SECTION 60-10K-1, 60-10HB  
 MADISON COUNTY STATION 499+48.35  
 STRUCTURE NO. 060-0338

STEEL DETAILS - SPLICES

DESIGNED: BTO  
 CHECKED: JAN  
 DATE: 03/06

DRAWN: BTO  
 CHECKED: JAN

SHT. S-47 OF S-68

**STV Incorporated**  
 Engineers/Architects/Planners/Construction Managers  
 200 W. Monroe Street, Suite 1650  
 Chicago, IL 60606-2015  
 312/553-0655, FAX 312/553-0661