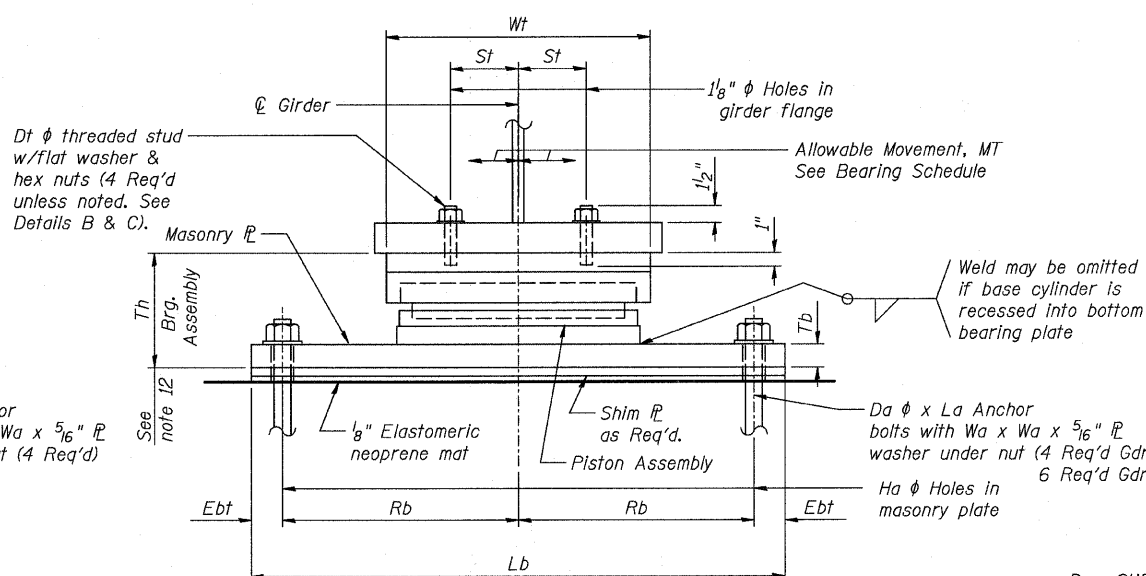
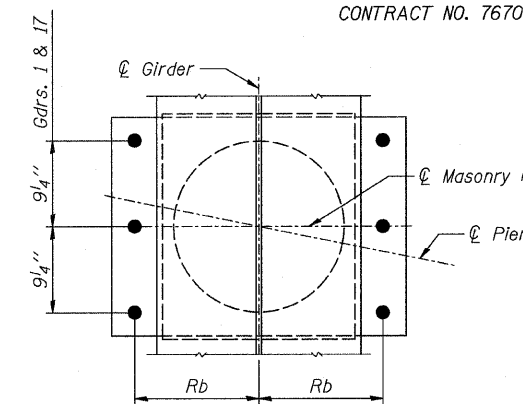


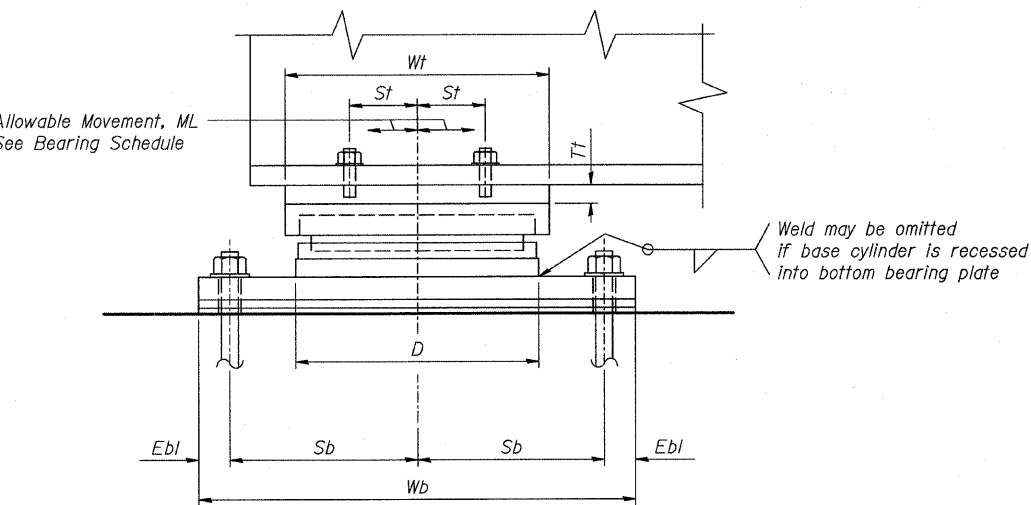
SECTION



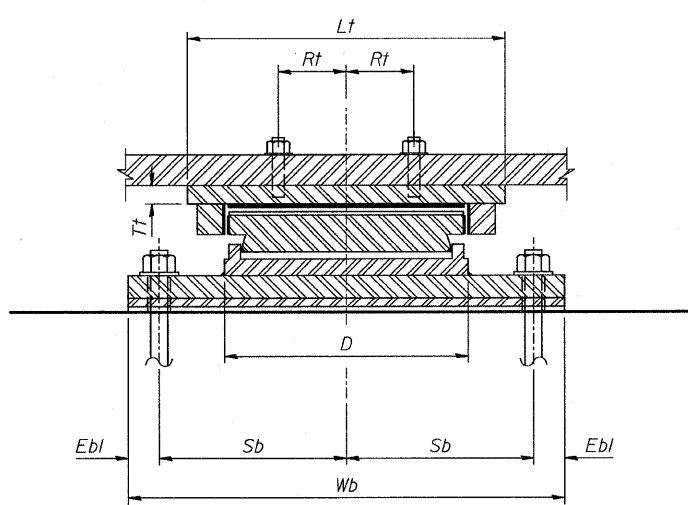
ELEVATION



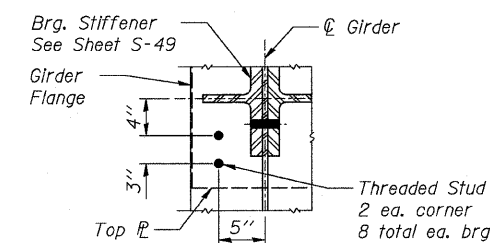
DETAIL "A"



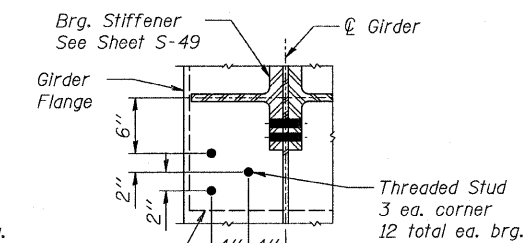
ELEVATION



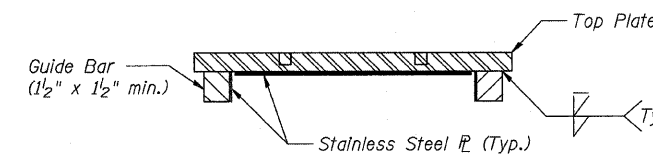
SECTION



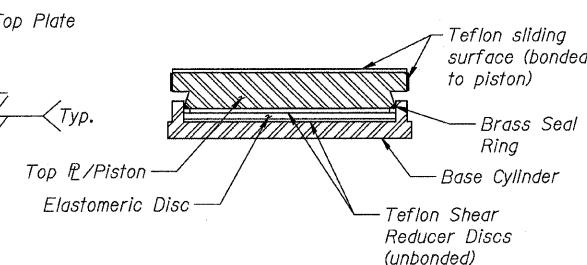
DETAIL "B"



DETAIL "C"



TOP PLATE ASSEMBLY



PISTON ASSEMBLY

GUIDED EXPANSION BEARING - LONGITUDINAL TO GIRDER

GUIDED EXPANSION BEARING - TRANSVERSE TO GIRDER

BEARING SCHEDULE

Type	Vertical Capacity K	Lateral Capacity K	Quantity Each	Location	Girders	Guided Expansion	ML in	MT in	Th in	D in	Top Plate/Bearing Assembly						Masonry Plate										
											Lt in	Wt in	Dt in	Tt in	St in	Rt in	Lb in	Wb in	Tb in	Sb in	Rb in	Ebl in	Ebt in	Dσ in	Lσ in	Hσ in	Wa in
High Load Multi-Rotation Bearings, Guided Expansion, 100K	100	50	26	Abutment	3-15	Long.	2	-	6.601	7.5	12.50	10	1	1.5	3	4.25	20	11.0	1.5	3.75	8.25	1.75	1.75	1	14	1.5	2.25
High Load Multi-Rotation Bearings, Guided Expansion, 350K	350	135	2	Pier	2,16	Transv.	-	2	8.625	13.5	19.25	15.75	1	2.25	Detail B	Detail B	28.75	17.00	1.75	5	10.875	3.5	2.625	1.5	20	2	3
High Load Multi-Rotation Bearings, Guided Expansion, 650K	650	250	2	Pier	1,17	Transv.	-	2	10.875	18.375	24.25	20.75	1	3	Detail C	Detail C	32	23.75	2	Detail A	13.375	2.625	2.625	1.5	20	2	3

BILL OF MATERIAL - ANCHORS

Location	Diameter	Length	Total	Type
Pier	1/2"	1'-10"	20	ASTM F1554
E. Abutment	1"	1'-2"	52	ASTM F1554
W. Abutment	1"	1'-2"	52	ASTM F1554

BILL OF MATERIAL - BEARINGS

Item	Unit	Total
High Load Multi-Rotation Bearings, Guided Expansion, 100K	Each	26
High Load Multi-Rotation Bearings, Guided Expansion, 350K	Each	2
High Load Multi-Rotation Bearings, Guided Expansion, 650K	Each	2

NOTES:

- For notes see Sht. S-50.
- Work this sheet with Sht. S-50.
- For location of bearing type, see Sht. S-37.

SHT. S-51 OF S-68



REVISIONS	
NAME	DATE

ILLINOIS DEPARTMENT OF TRANSPORTATION  
 IL ROUTE 162 OVER I-55/70 IN TROY  
 F.A.I. ROUTE 70 SECTION 60-10K-1, 60-10HB  
 MADISON COUNTY STATION 499+48.35  
 STRUCTURE NO. 060-0338  
 HIGH LOAD MULTI-ROTATION BEARINGS  
 - GUIDED EXPANSION

DESIGNED: BTO DRAWN: BTO  
 CHECKED: JAN CHECKED: JAN  
 DATE: 03/06