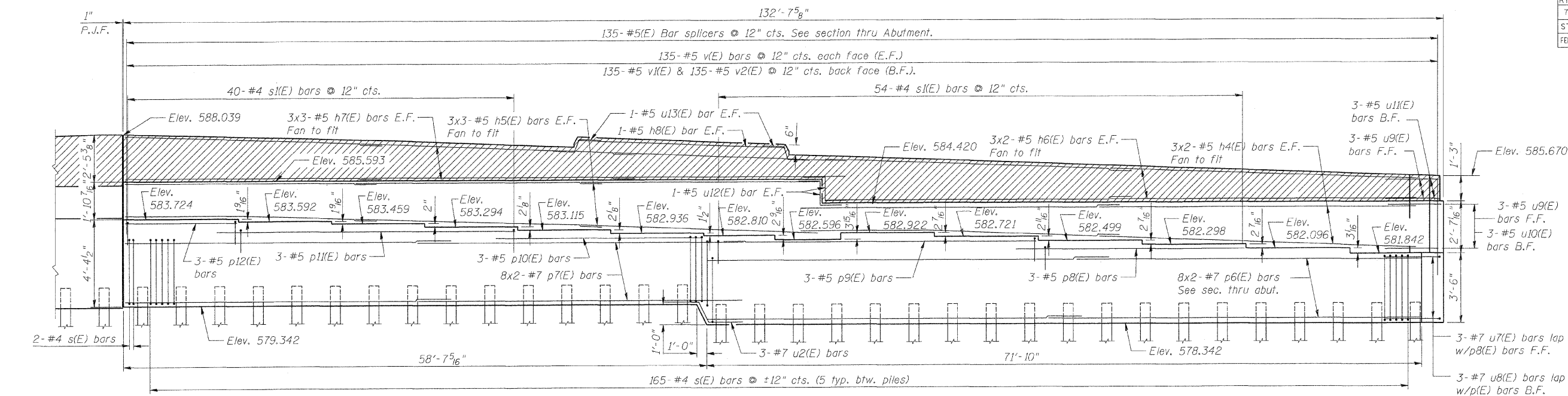
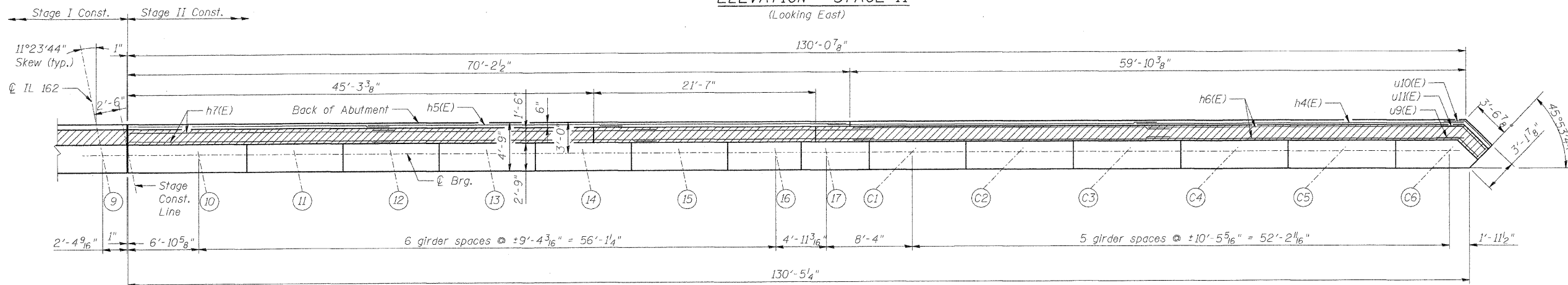


F.A.I. RTE.	SECTION	COUNTY	TOTAL SHEETS	SHEET NO.
70	60-10K-1,60-10HB	MADISON	420	272
STA.	TO STA.			
FED. ROAD DIST. NO.	ILLINOIS FED. AID PROJECT			

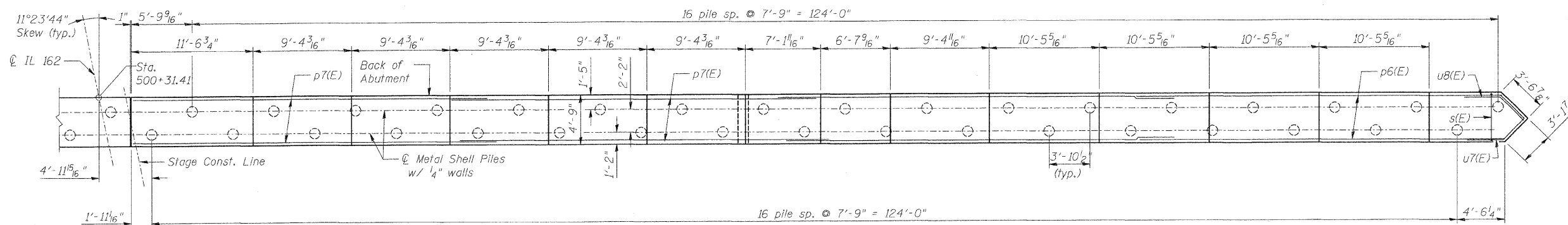
CONTRACT NO. 76709



ELEVATION - STAGE II
(Looking East)



TOP VIEW - STAGE II



PILE CAP PLAN - STAGE II

PILE DATA

Type: 12" ϕ Metal Shell, w/ $\frac{1}{4}$ " wall
 Nominal Required Bearing: 355 kips
 Allowable Resistance Available: 80 kips
 Est. Length: 86 ft
 No. Required: 34

The Metal Shell piles shall be according to ASTM A252 Grade 3.

NOTE:

For notes, see Sht. S-53.

SHT. S-54 OF S-68



REVISIONS	
NAME	DATE

ILLINOIS DEPARTMENT OF TRANSPORTATION
 IL ROUTE 162 OVER I-55/70 IN TROY
 F.A.I ROUTE 70 SECTION 60-10K-1, 60-10HB
 MADISON COUNTY STATION 499+48.35
 STRUCTURE NO. 060-0338

EAST ABUTMENT PLAN & ELEVATION - STAGE II

DESIGNED: BTO DRAWN: BTO
 CHECKED: JAN CHECKED: JAW
 DATE: 03/06