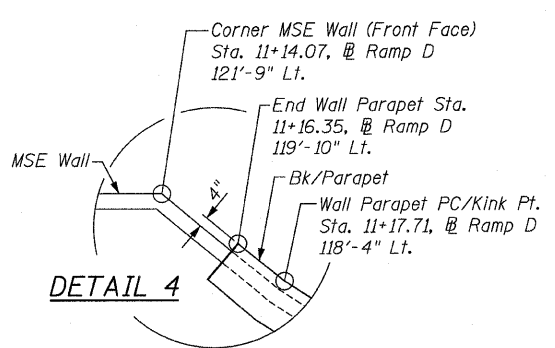
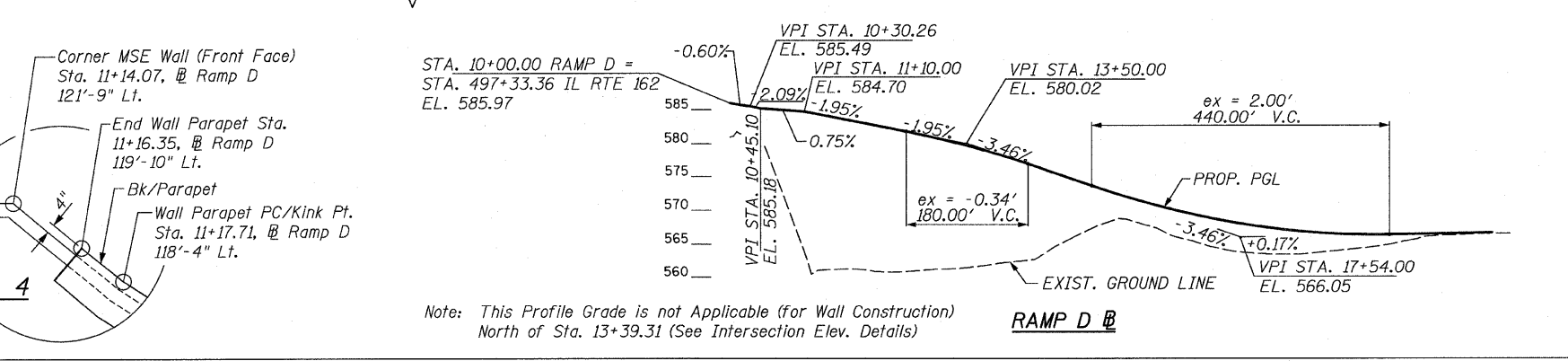
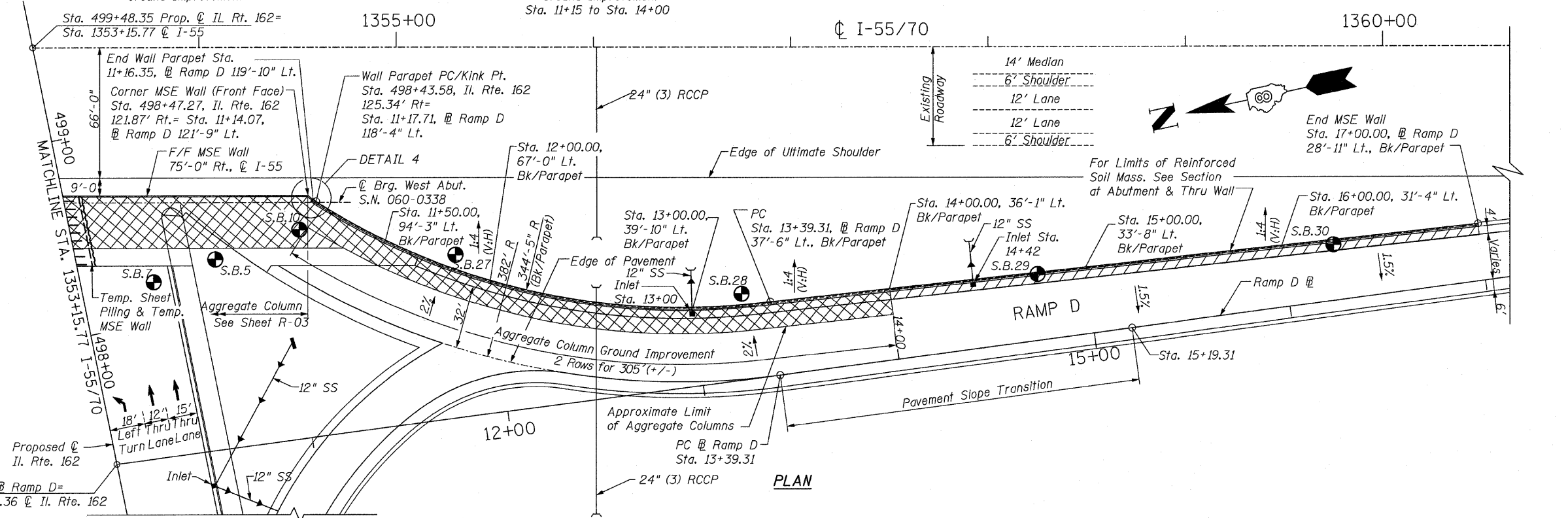
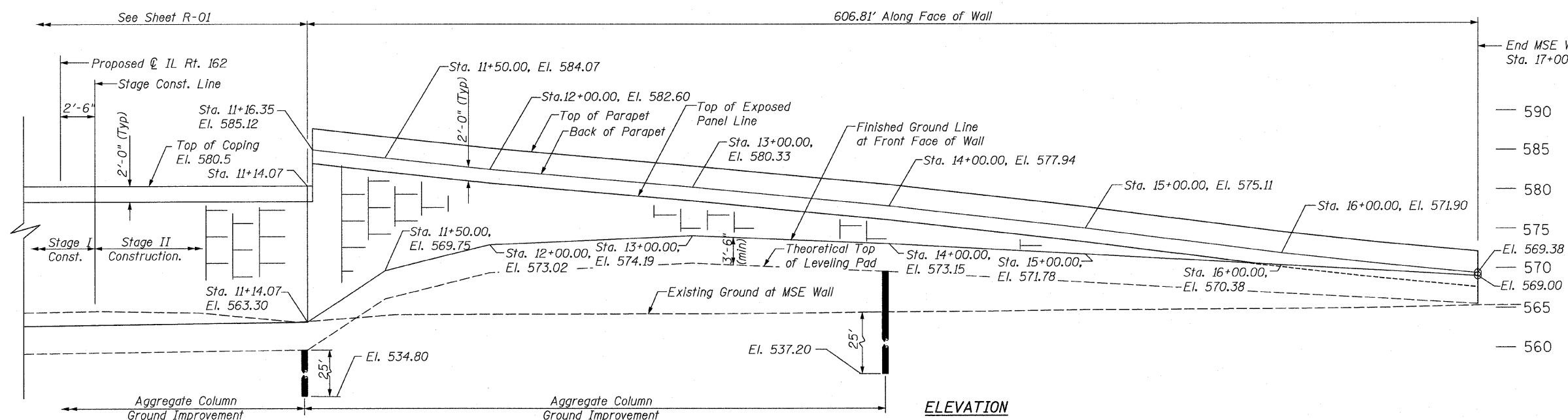


F.A.I. RTE.	SECTION	COUNTY	TOTAL SHEETS	SHEET NO.
TO	MADISON	420	288	
STA.	TO STA.			
FED. ROAD DIST. NO.	ILLINOIS	FED. AID PROJECT		
60-10K-1, 60-10HB CONTRACT NO. 76709				



- = Approximate Limit of Reinforced Soil Mass
- = Approximate Limit of Aggregate Column Ground Improvement & Reinforced Soil Mass

REVISIONS	
NAME	DATE

ILLINOIS DEPARTMENT OF TRANSPORTATION  
 IL ROUTE 162 OVER I-55/70 IN TROY  
 F.A.I ROUTE 70 SECTION 60-10K-1, 60-10HB  
 MADISON COUNTY STA. 18+50 TO STA. 17+00  
 STRUCTURE NO. 060-W004  
 GENERAL PLAN II  
 DATE: 05/2006  
 DRAWN: AWB  
 CHECKED: JAN

Sht. R-02 of R-14

**STV Incorporated**  
 Engineers/Architects/Planners/Construction Managers  
 200 W. Monroe Street, Suite 1650  
 Chicago, IL 60606-5015  
 312/533-0655, FAX 312/533-0661

Note: This Profile Grade is not Applicable (for Wall Construction) North of Sta. 13+39.31 (See Intersection Elev. Details)