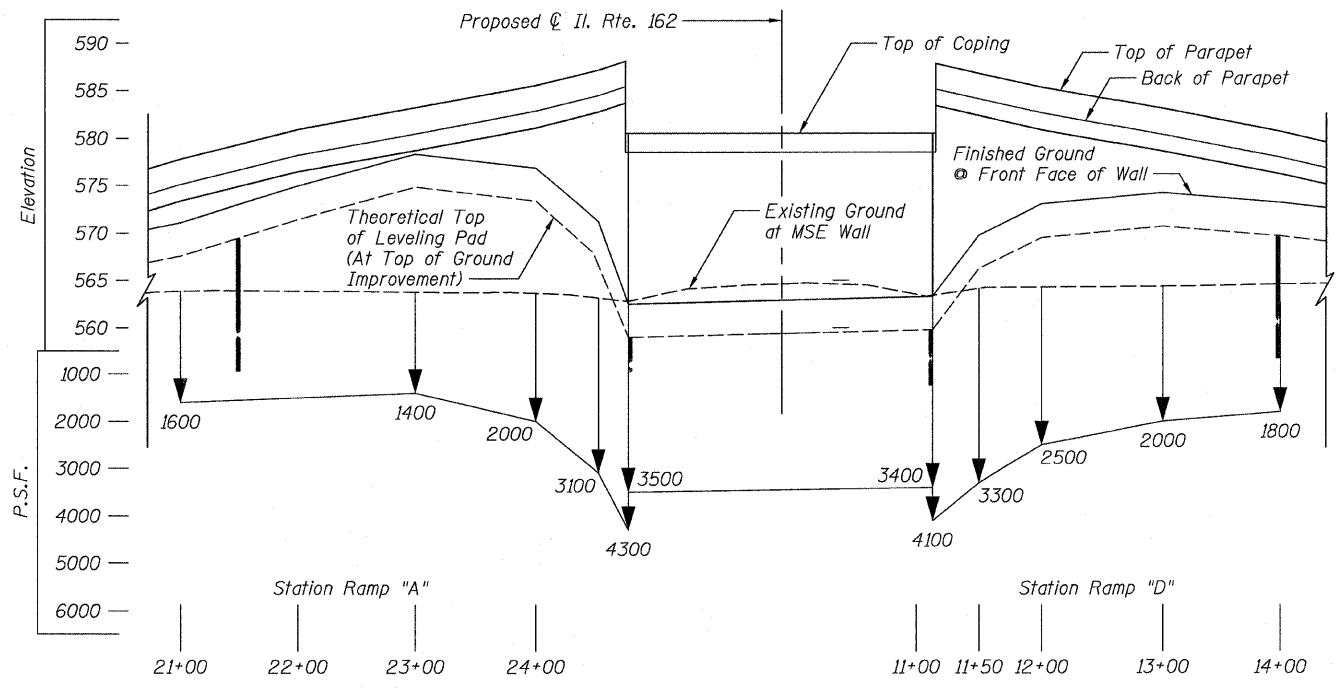
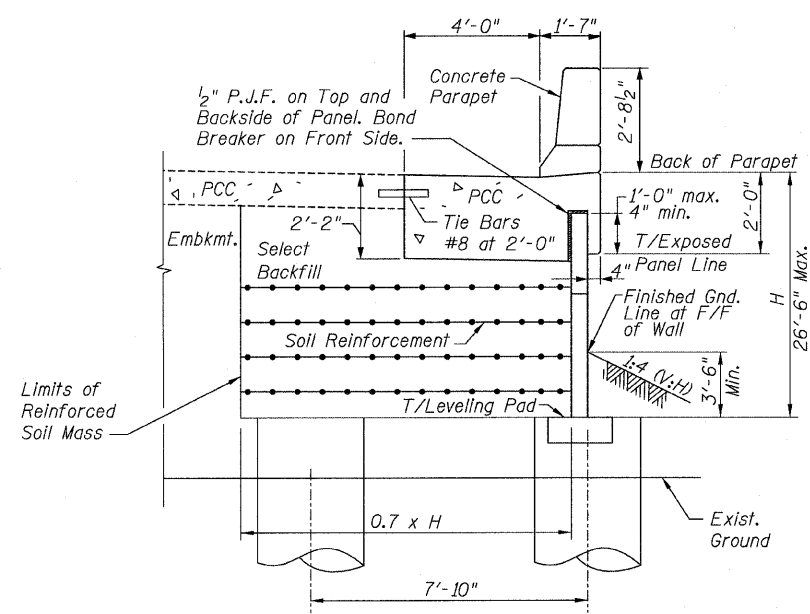


F.A.I. RTE.	SECTION	COUNTY	TOTAL SHEETS	SHEET NO.
70		MADISON	420	289
STA.	TO STA.			
FED. ROAD DIST. NO.	ILLINOIS	FED. AID PROJECT		
		60-10K-1, 60-10HB	CONTRACT NO. 76709	

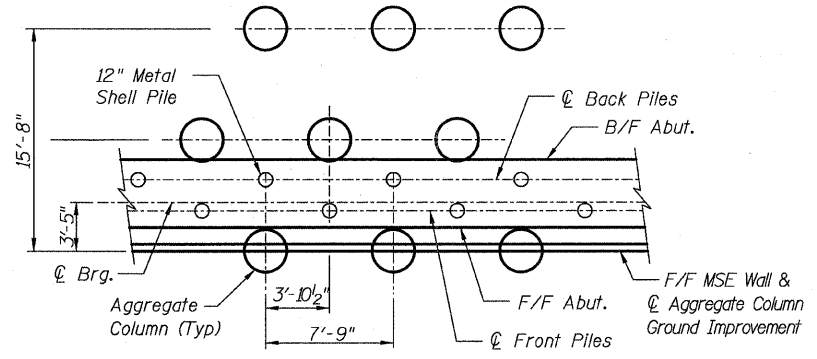
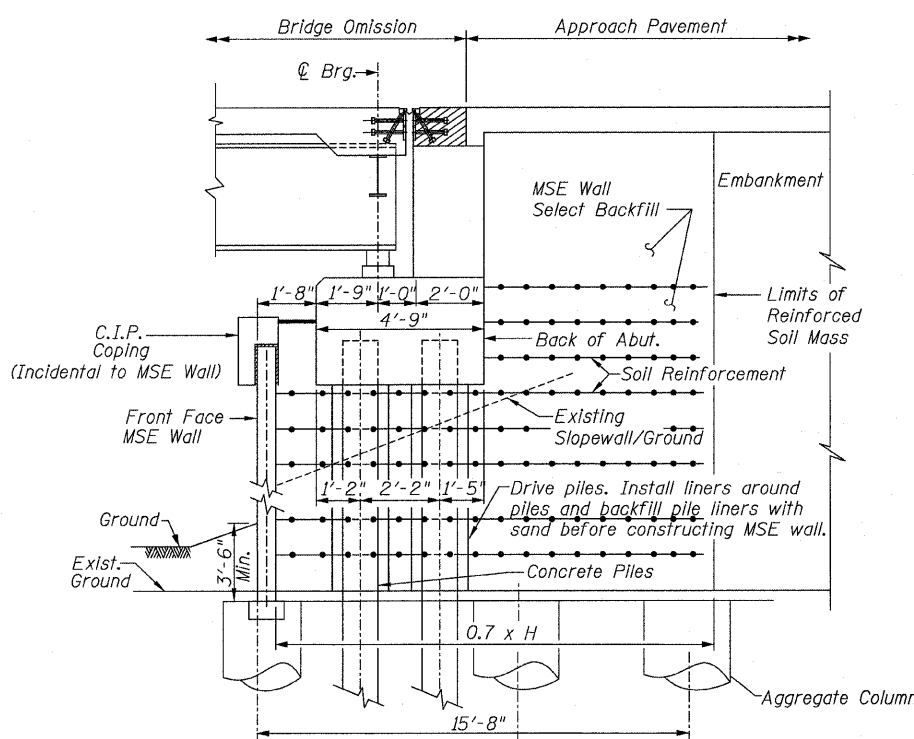


### INDEX OF SHEETS

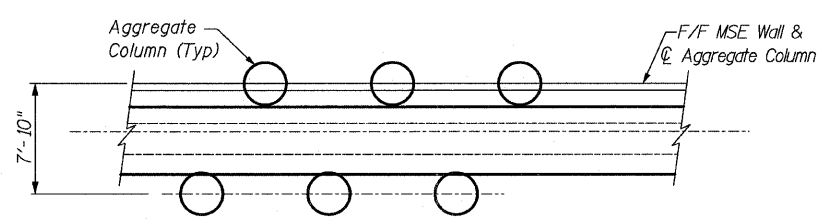
- R-01 General Plan I
- R-02 General Plan II
- R-03 Index of Sheets, General Notes, BOM, Wall Sections & Aggregate Column Ground Improvement Layout
- R-04 Parapet Elevations & Shoulder Plans Ramp A
- R-05 Parapet Elevations & Shoulder Plans Ramp A
- R-06 Parapet Elevation & Shoulder Plan Ramp A
- R-07 Parapet Elevations & Shoulder Plans Ramp D
- R-08 Parapet Elevations & Shoulder Plans Ramp D
- R-09 Parapet Elevation & Shoulder Plan Ramp D
- R-10 Parapet & Anchorage Slab Details Ramp A & D
- R-11 Boring Logs
- R-12 Boring Logs
- R-13 Boring Logs
- R-14 Boring Logs

### TOTAL BILL OF MATERIAL

ITEM	UNIT	TOTAL
Concrete Structures	CU YD	625
Protective Coat	SQ YD	996
Reinforcement Bars, Epoxy Coated	POUND	66,690
Name Plates	EACH	1
Mechanically Stabilized Earth Retaining Wall	SQ FT	16,400
Aggregate Column Ground Improvement	CU YD	4,280



Contractor shall alternate aggregate column and pile spacing as shown.



### GENERAL NOTES:

- Reinforcement bars designated (E) shall be Epoxy Coated.
- All edges shall have a 3/4" chamfer unless otherwise noted.
- Sawed construction joints, and construction joints in shoulders, and grooved joints and expansion joints in parapets, shall be colinear with sawed construction joints in PCC pavement (jointed).
- Reinforcement bars shall conform to the requirements of ASTM A 706 Grade 60
- All construction joints shall be bonded.

REVISIONS	
NAME	DATE

ILLINOIS DEPARTMENT OF TRANSPORTATION  
IL ROUTE 162 OVER I-55/70 IN TROY  
F.A.I. ROUTE TO SECTION 60-10K-1, 60-10HB  
MADISON COUNTY STA. 18+50 TO STA. 17+00  
STRUCTURE NO. 060-W004

INDEX OF SHEETS, GENERAL NOTES, BOM  
WALL SECTIONS & AGGREGATE COLUMN  
GROUND IMPROVEMENT LAYOUT  
RAMP A & D DRAWN BY KM  
DATE: 05/2006 CHECKED BY BJG

Sht. R-03 of R-14

**STV Incorporated**  
Engineers/Architects/Planners/Construction Managers  
209 W. Monroe Street, Suite 1650  
Chicago, IL 60606-5015  
312/553-0655, FAX 312/553-0661