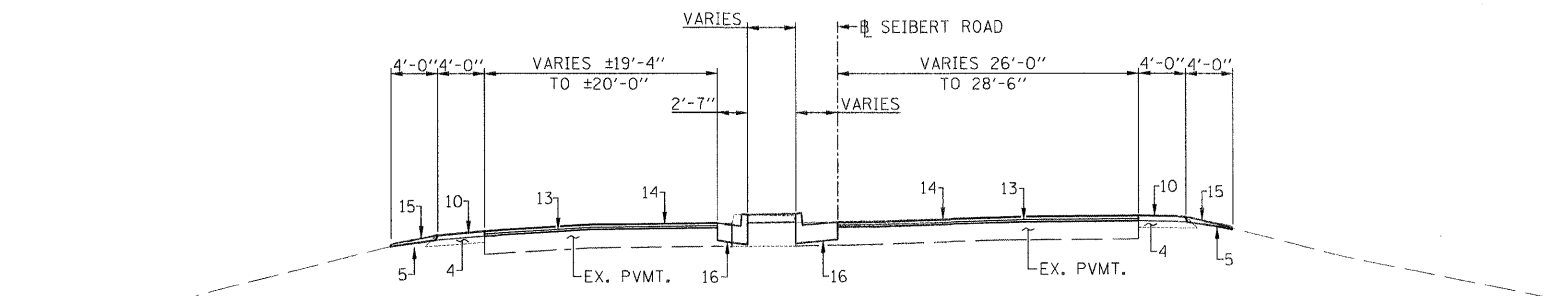
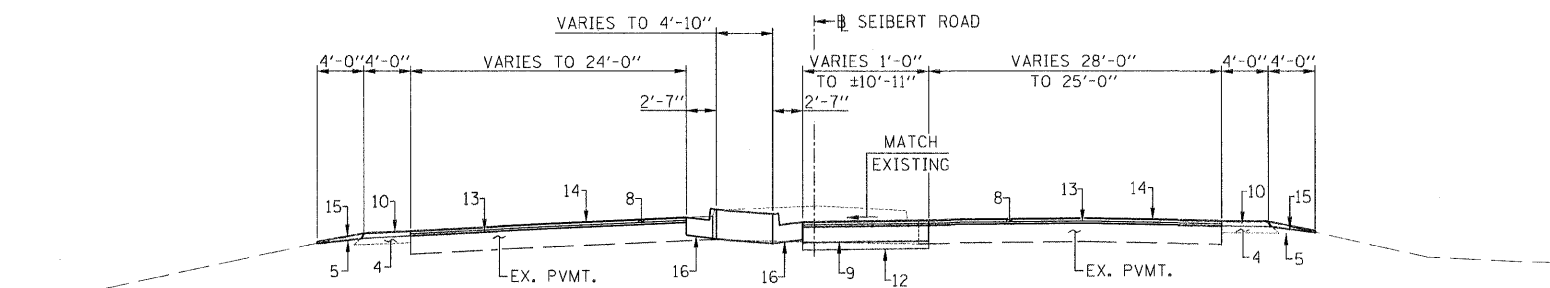


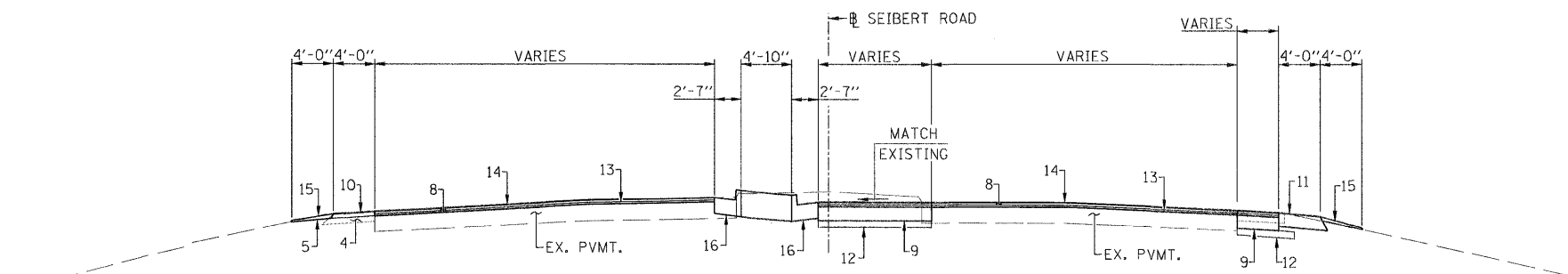
TYPICAL SECTION #6 - IL 158
(STA. 247+00 TO STA. 248+25)



TYPICAL SECTION #7 - SEIBERT RD.
(STA. 1110+00 TO STA. 1110+72.92)



TYPICAL SECTION #8 - SEIBERT RD.
(STA. 1110+72.92 TO STA. 1113+55.53)



TYPICAL SECTION #9 - SEIBERT RD.
(STA. 1113+55.53 TO STA. 1114+71.98)

- LEGEND**
1. EXISTING PCC PAVEMENT, 8"
 2. EXISTING CURB AND GUTTER
 3. EXISTING GRANULAR SUBBASE, 4"
 4. EXISTING HOT-MIX ASPHALT SHOULDERS, 8"
 5. EXISTING AGGREGATE SHOULDERS
 6. EXISTING LEVELING BINDER, 1"
 7. EXISTING SURFACE COURSE, 1 1/2"
 8. PROPOSED HOT-MIX ASPHALT SURFACE REMOVAL, 2 1/2"
 9. PROPOSED PCC BASE COURSE, 8"
 10. PROPOSED HOT-MIX ASPHALT SHOULDERS (2 1/2")
 11. PROPOSED HOT-MIX ASPHALT SHOULDERS, 8"
 12. PROPOSED AGGREGATE BASE COURSE, TYPE A 4"
 13. PROPOSED LEVELING BINDER (MACHINE METHOD) (1")
 14. PROPOSED HOT-MIX ASPHALT SURFACE COURSE (1 1/2")
 15. PROPOSED AGGREGATE WEDGE SHOULDERS, TYPE B
 16. PROPOSED CONCRETE MEDIAN, TYPE SB-6.24

FILE NAME = \$FILEL\$	USER NAME = \$USER\$	DESIGNED -	REVISED -	<p>Allen Henderson & Associates, Inc. Civil and Structural Engineers Springfield, IL 62703 Phone: (217)544-8033 IL Design Firm No. 184-001907</p>	TYPICAL SECTIONS		F.A.P. RTE. 674	SECTION 410-1-N	COUNTY ST. CLAIR	TOTAL SHEETS 58	SHEET NO. 6	
	PLOT SCALE = \$SCALE\$	DRAWN -	REVISED -		SCALE:	SHEET NO. 6 OF 58 SHEETS	STA.	TO STA.	CONTRACT NO. 76C63			
	PLOT DATE = \$DATE\$	CHECKED -	REVISED -									
		DATE -	REVISED -									