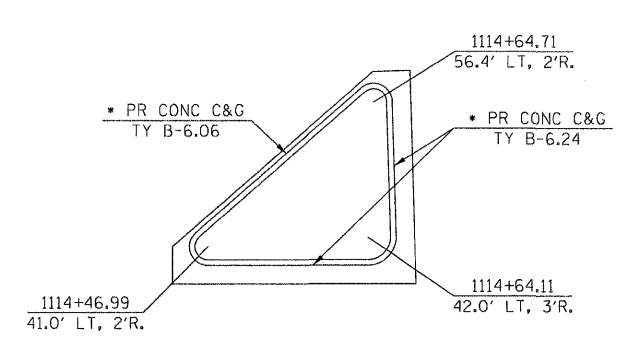
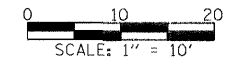



PLAN - S.W. QUADRANT



DETAIL - N.W. ISLAND

ISLAND TO BE PAID FOR AS "CONCRETE MEDIAN, TYPE B-6.24".



FILE NAME = #FILEL#	USER NAME = #USER#	DESIGNED -	REVISED -	 <b>Allen Henderson &amp; Associates, Inc.</b> Civil and Structural Engineers Springfield, IL. 62703 Phone: (217)544-8033 IL Design Firm No. 184-001907	<b>INTERSECTION DETAILS</b> <b>(S.W. &amp; N.W. QUADRANT)</b>		F.A.P. RTE.	SECTION	COUNTY	TOTAL SHEETS	SHEET NO.	
	PLOT SCALE = #SCALE#	CHECKED -	REVISED -				674	410-1-N	ST. CLAIR	58	34	
	PLOT DATE = #DATE#	DATE -	REVISED -		SCALE: 1" = 10'	SHEET NO. 34 OF 58 SHEETS	STA. TO STA.	FED. ROAD DIST. NO. ILLINOIS FED. AID PROJECT				
							CONTRACT NO. 76C63					