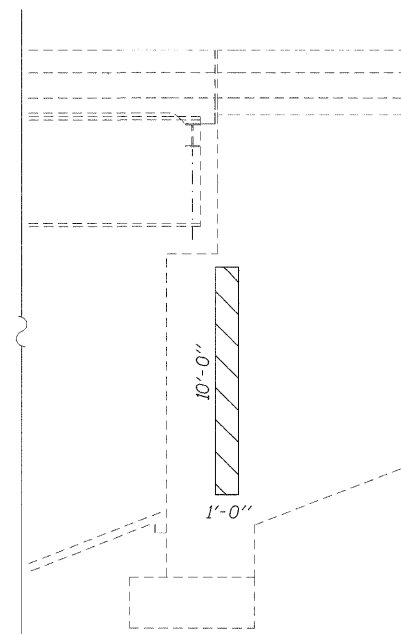
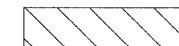


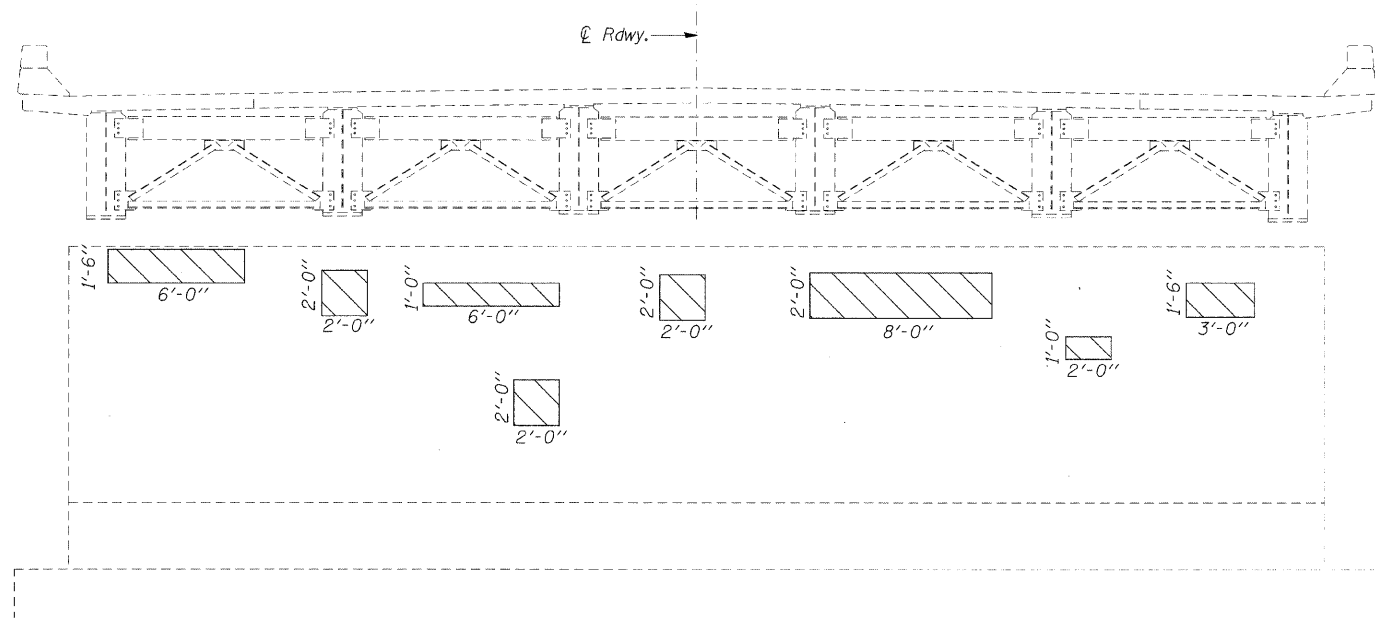
NORTH ABUTMENT
Looking North



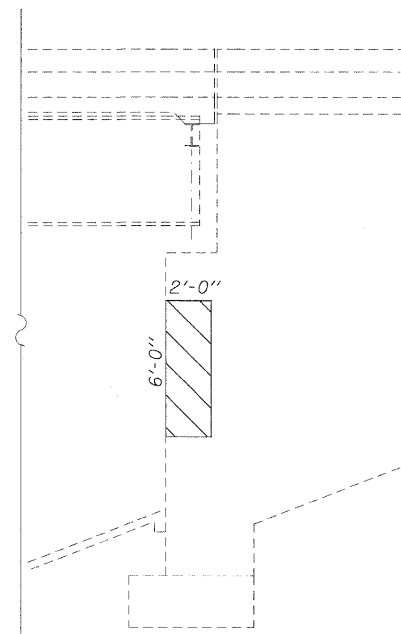
NORTH EAST CORNER
Looking West



Structural Repair of Concrete ≤ 5"



SOUTH ABUTMENT
Looking South



SOUTH WEST CORNER
Looking East

SUBSTRUCTURE REPAIRS
SN 044-0031
JOHNSON COUNTY

FILE NAME =	USER NAME = cornellm	DESIGNED -	REVISED -	STATE OF ILLINOIS DEPARTMENT OF TRANSPORTATION	SUBSTRUCTURE REPAIRS SN 044-0031	F.A.I. RTE.	SECTION	COUNTY	TOTAL SHEETS	SHEET NO.
c:\pw_work\PWIDOT\CORNELLM\dms47925\044-0031-bsmart.dgn	PL01 SCALE = 4.0000 "/> <td>DRAWN -</td> <td>REVISED -</td> <td>24/57</td> <td>D9 BSMART FY09-1</td> <td>JOHNSON/PULASKI</td> <td>20</td> <td>18</td>	DRAWN -	REVISED -			24/57	D9 BSMART FY09-1	JOHNSON/PULASKI	20	18
PL01 SCALE = 4.0000 "/> <td>CHECKED -</td> <td>REVISED -</td> <td colspan="3" style="text-align: center;">CONTRACT NO. 78095</td>	CHECKED -	REVISED -	CONTRACT NO. 78095							
PL01 DATE = 2/27/2009	DATE -	REVISED -	FED. ROAD DIST. NO. ILLINOIS FED. AID PROJECT							
					SCALE:	SHEET NO. OF SHEETS STA.		TO STA.		