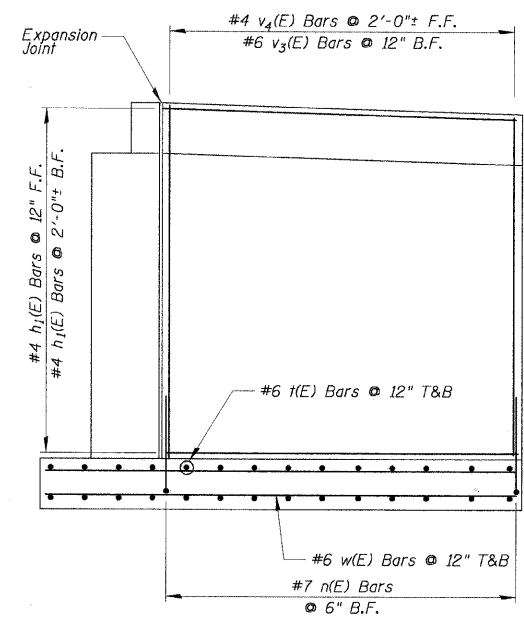
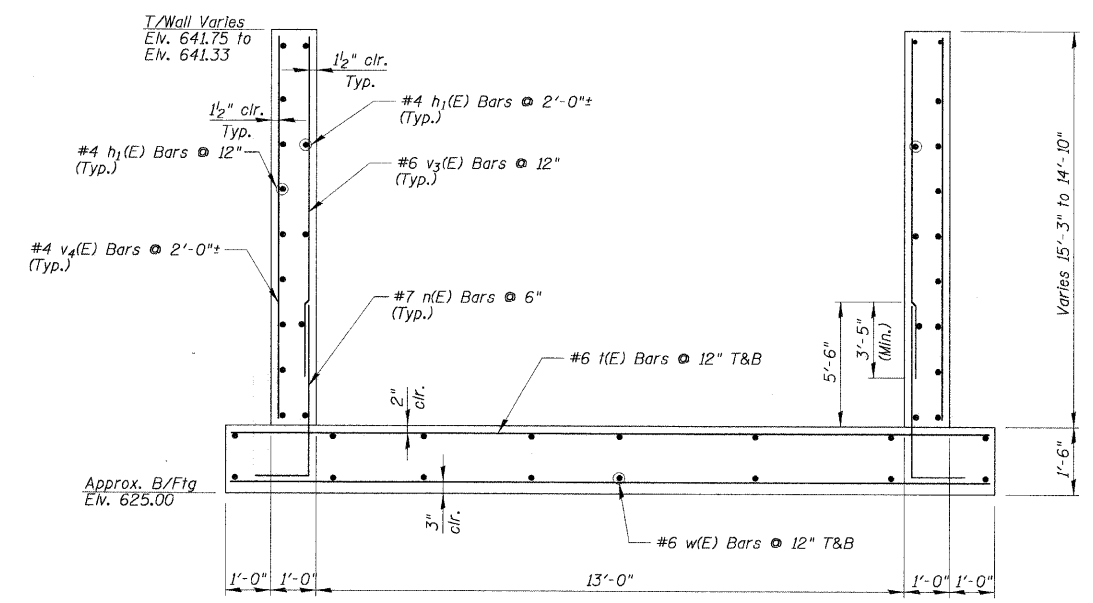


DATE _____ BY _____
 SURVEYED _____
 PLAN _____
 NOTE BOOK _____
 NO. _____

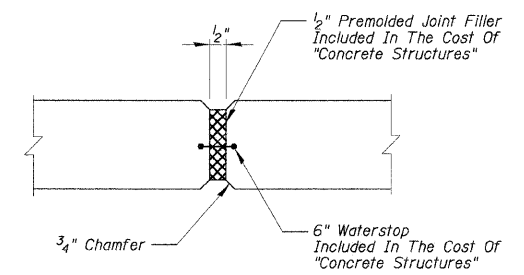
DATE _____ BY _____
 PROFILE _____
 NOTE BOOK _____
 NO. _____



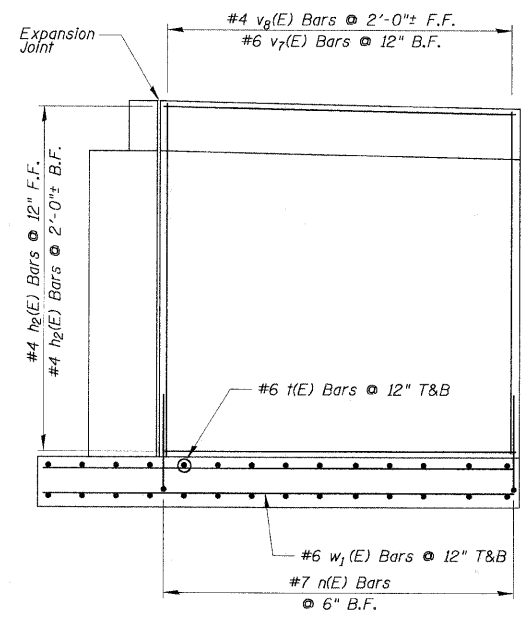
WINGWALL ELEVATION (N)



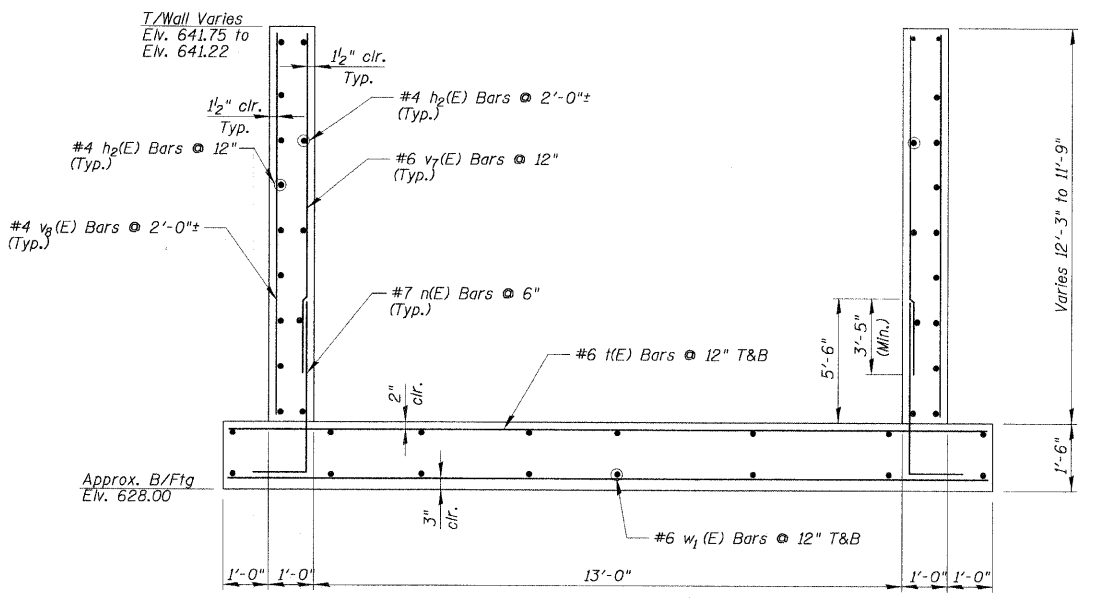
SECTION A-A (N)



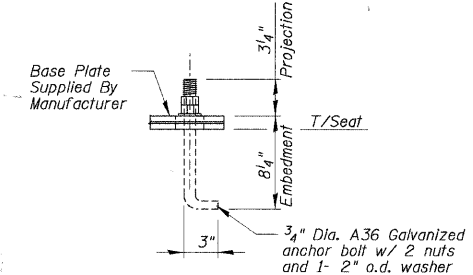
TYPICAL EXPANSION JOINT DETAIL



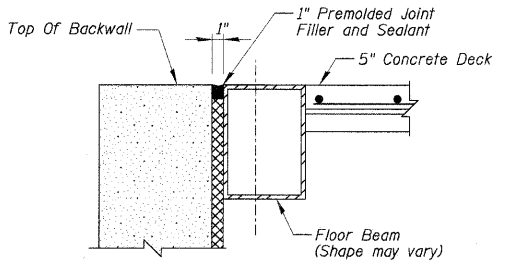
WINGWALL ELEVATION (S)



SECTION A-A (S)



ANCHOR BOLT DETAIL



JOINT SEAL AT ABUTMENT

REVISIONS	
NAME	DATE
1. PER 100T COMMENTS	5/22/09

ILLINOIS DEPARTMENT OF TRANSPORTATION
BRIDGE 2
STA. 90 + 40.00
WINGWALL AND DETAILS

SCALE: NOT TO SCALE
 DATE 5/22/2009
 DRAWN BY PDR
 CHECKED BY PLB

5/22/2009
 N:\Naperville\070014\Struct\070014-SB.PLN