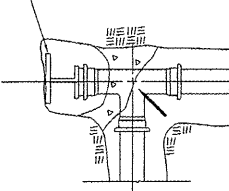


BLOCKING REQUIREMENTS				
MINIMUM SQUARE FOOT OF BEARING ON UNDISTURBED SOIL				
SIZE	TEES AND DEAD ENDS	90° BEND	45° BEND	22.5° BEND
6"	1.9 SF	2.7 SF	1.5 SF	0.8 SF
8"	3.3 SF	4.7 SF	2.6 SF	1.3 SF
12"	7.7 SF	10.9 SF	5.9 SF	3.0 SF

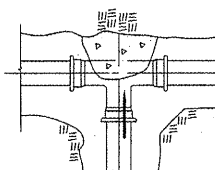
BRACE PLUG AGAINST UNDISTURBED EARTH



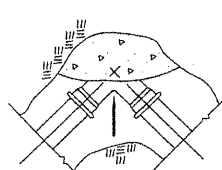
PLUGGED TEE

**NOTES :**

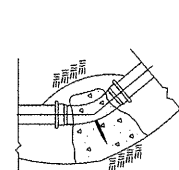
1. ALL BLOCKS BEAR AGAINST UNDISTURBED EARTH
2. ARROWS INDICATE DIRECTION OF THRUST
3. ALL BLOCKS TO BE 3000 P.S.I. CONCRETE
4. ALL FITTINGS SHOWN IN PLAN EXCEPT VERTICAL BEND



TEE

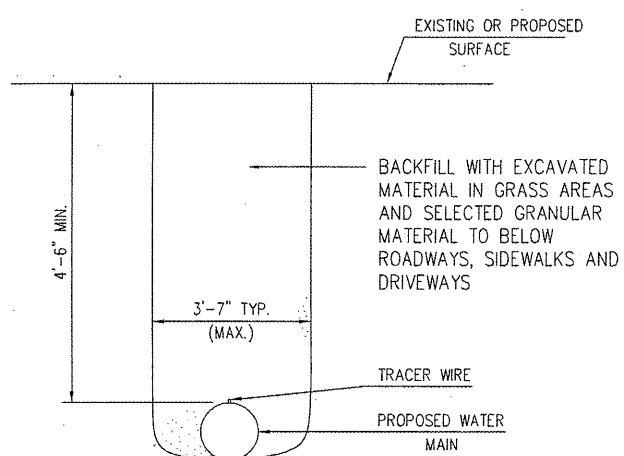


HORIZONTAL BEND

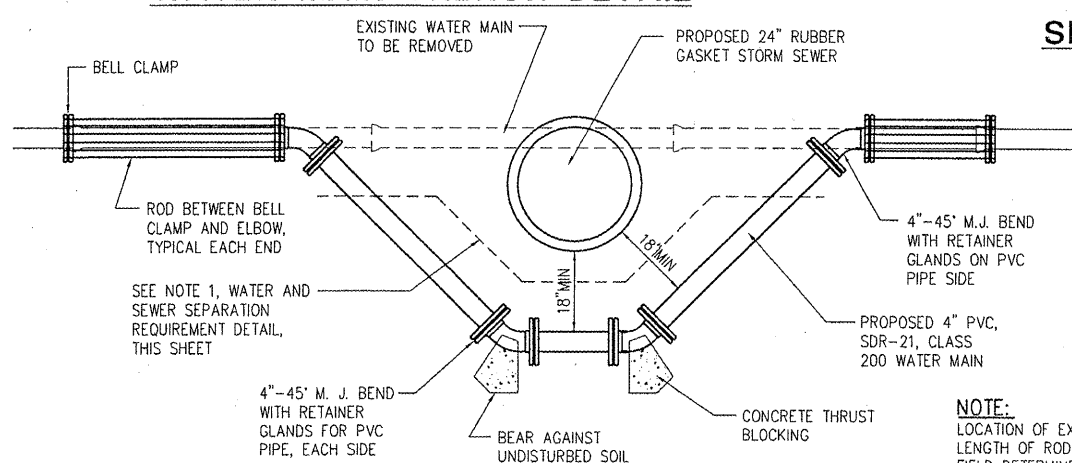


VERTICAL BEND

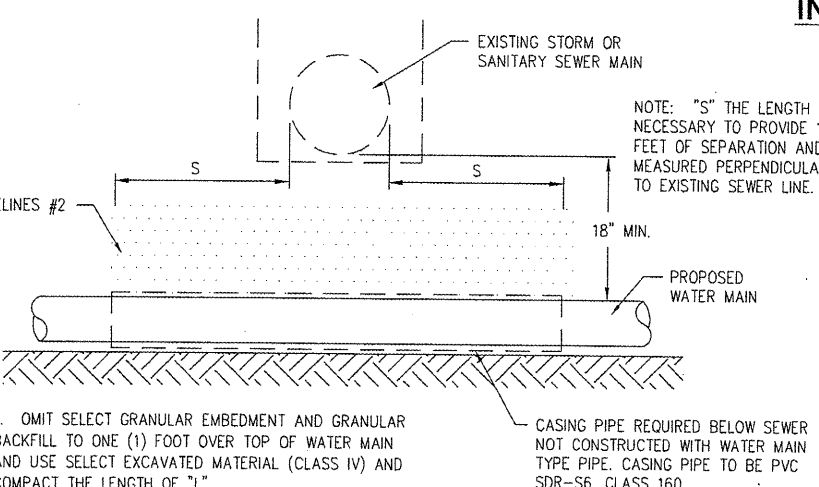
**TYPICAL BLOCKING DETAIL**



**WATER MAIN TRENCH DETAIL**



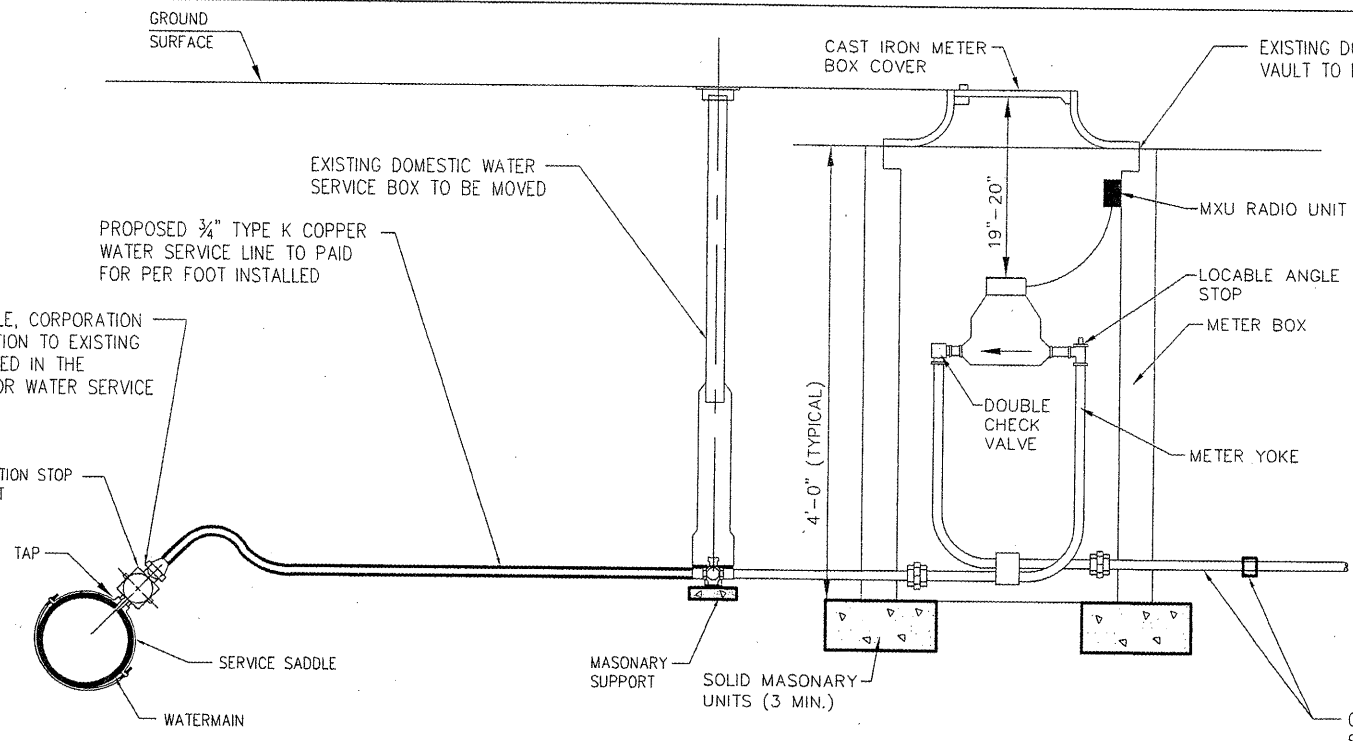
**WATER MAIN ADJUSTMENT DETAIL**



**WATER AND SEWER SEPARATION REQUIREMENTS**

NOT TO SCALE

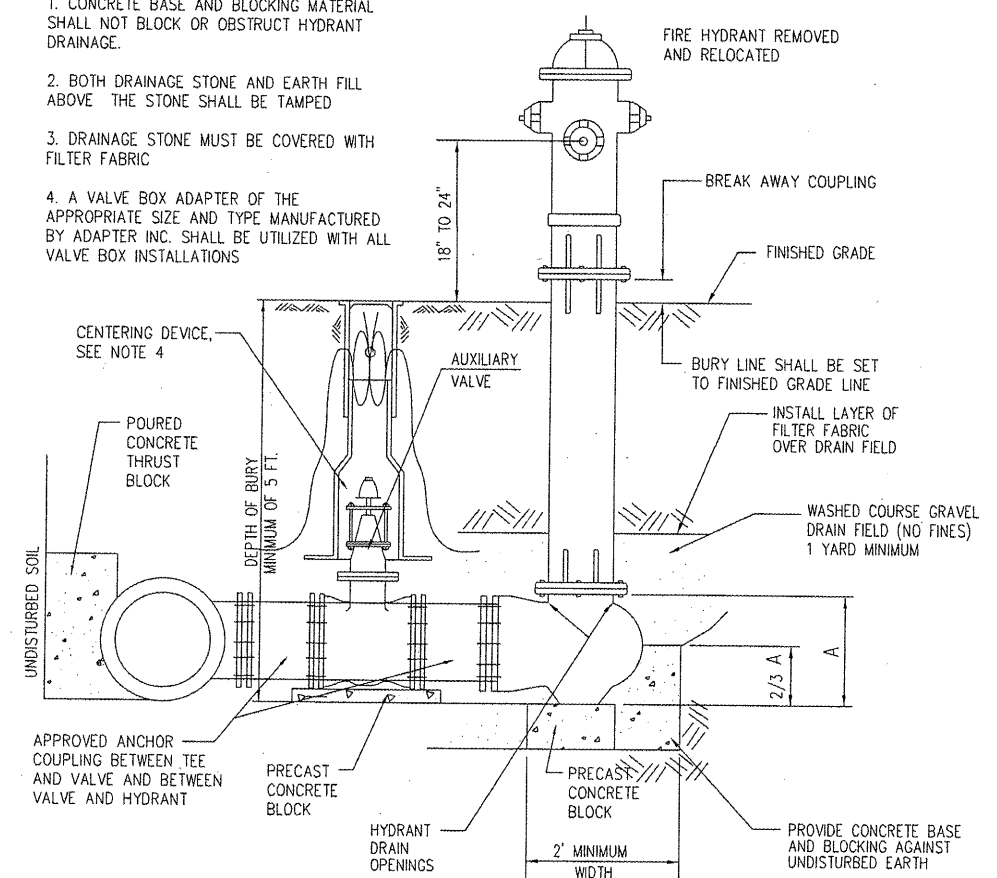
NOTE: LOCATION OF EXISTING BELLS AND LENGTH OF ROD MATERIAL TO BE FIELD DETERMINED



**TYPICAL WATER SERVICE INSTALLATION DETAIL**

**HYDRANT INSTALLATION NOTES:**

1. CONCRETE BASE AND BLOCKING MATERIAL SHALL NOT BLOCK OR OBSTRUCT HYDRANT DRAINAGE.
2. BOTH DRAINAGE STONE AND EARTH FILL ABOVE THE STONE SHALL BE TAMPED
3. DRAINAGE STONE MUST BE COVERED WITH FILTER FABRIC
4. A VALVE BOX ADAPTER OF THE APPROPRIATE SIZE AND TYPE MANUFACTURED BY ADAPTER INC. SHALL BE UTILIZED WITH ALL VALVE BOX INSTALLATIONS



**HYDRANT INSTALLATION DETAIL**

CITY OF MACOMB--WARD STREET	
SEC. 06-00139-00-PV	F.A.U. 6919
PROJ. M05040 (009)	
CONTRACT No. 89469	SHT 37 OF 59

SHEET NO. **37** of **59**

**McClure Engineering Associates, Inc.**  
 Macomb, Illinois 61455  
 714 East Jackson Street  
 (309) 833-4594  
 Design Firm License: #164-000616  
 Copyright: 2008 by McClure Engineering Associates, Inc.

PLOTTING SCALE:	1" = 1'
DRAWN BY:	TAB
CHECKED BY:	JAR
DATE:	OCTOBER 2008

NO.	REVISIONS	DATE

**WARD STREET IMPROVEMENTS**  
**TYPICAL WATER MAIN DETAILS**  
 CITY OF MACOMB

SOUTH WARD ST.  
 FILE NAME: W:\DRAWINGS\MACOMB\WARDST\TYPICAL-SECTIONS FIELD BOOK No. 2257 JOB NUMBER: 03-28-08088  
 MACOMB, ILLINOIS  
 FIELD NUMBER: 03-28-08088