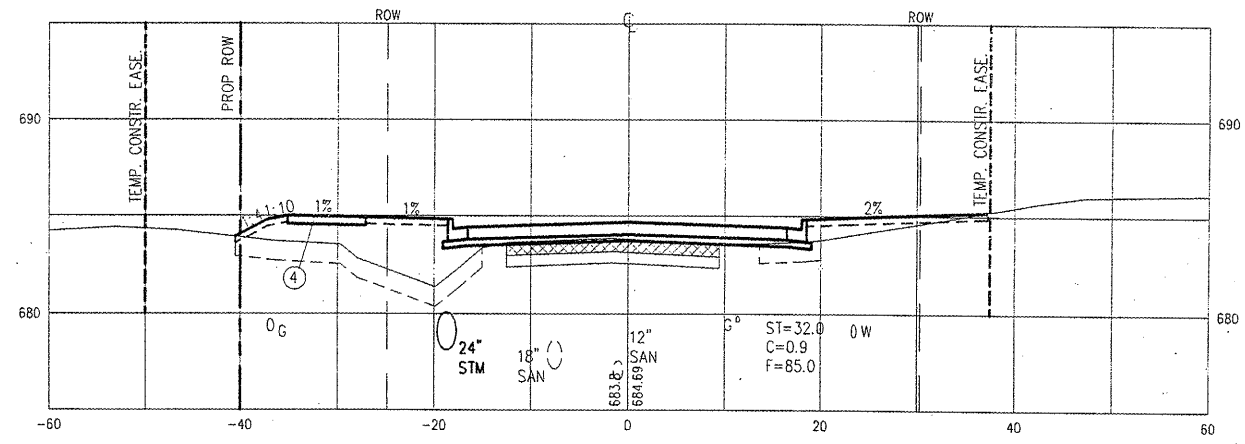


PLOTTING SCALE: 1" = 10'
 DRAWN BY: TAB
 CHECKED BY: JAR
 DATE: OCTOBER 2009

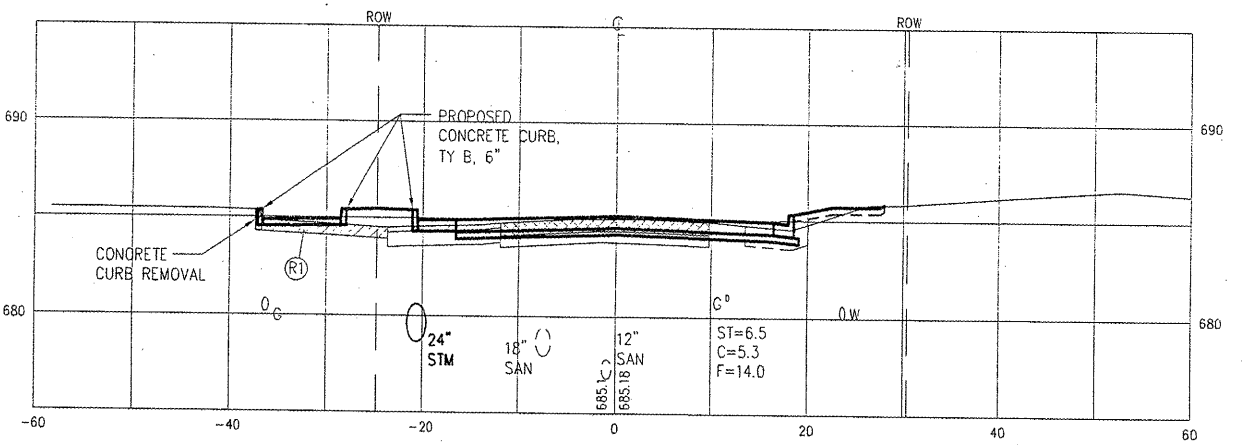
NO.	REVISIONS	DATE

WARD STREET IMPROVEMENTS
CROSS SECTIONS - STA. 311+98 TO 313+00
 CITY OF MACOMB
 SOUTH WARD ST.
 FILE NAME: MACOMB\WARDST\WARD-ST-2007-X-SEC
 FIELD BOOK No: 2257 JOB NUMBER: 01-29-08028
 MACOMB, ILLINOIS

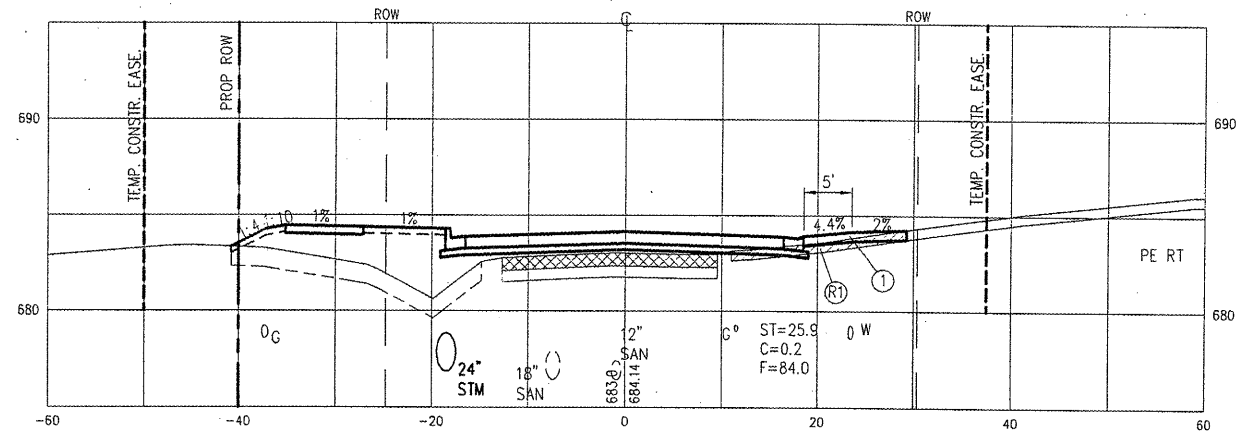
312+50



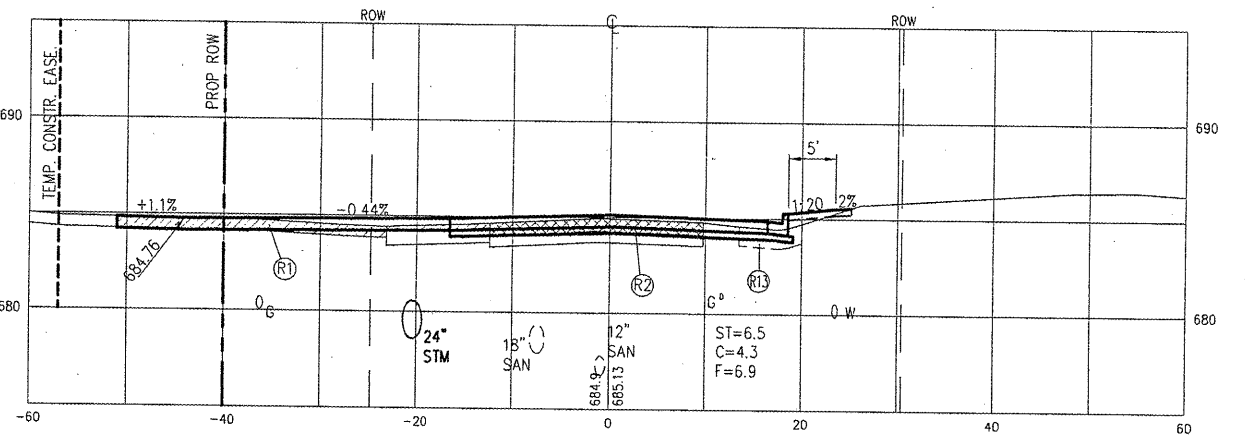
313+00



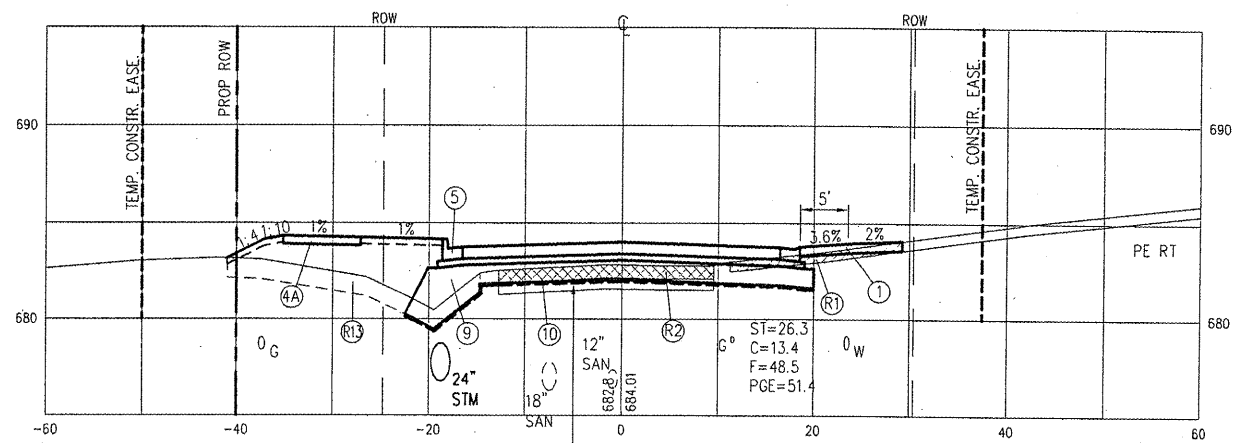
312+07



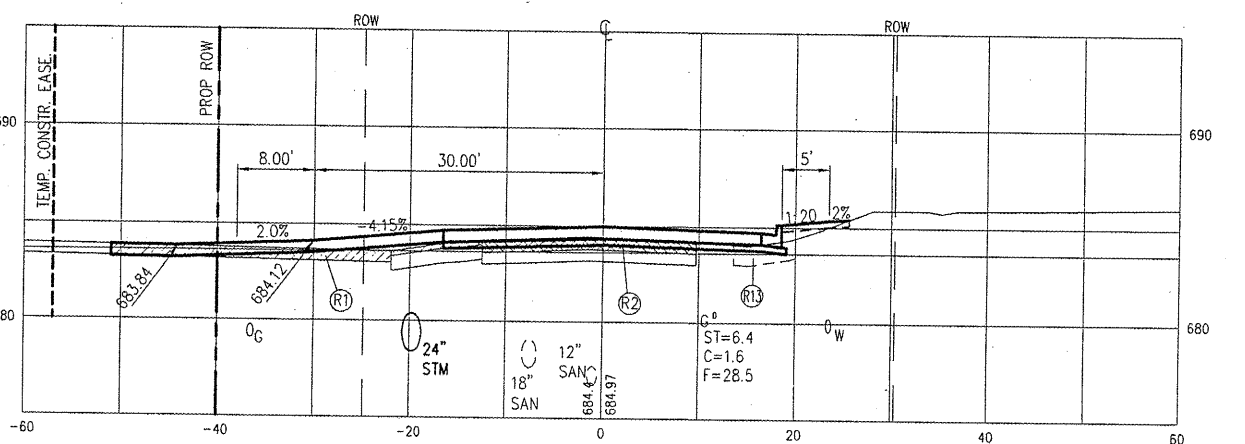
312+95



311+98



312+78



OVEREXCAVATE 12" MIN AND REPLACE WITH POROUS GRANULAR EMBANKMENT AND GEOTECHNICAL FABRIC OR AS DIRECTED BY THE ENGINEER

