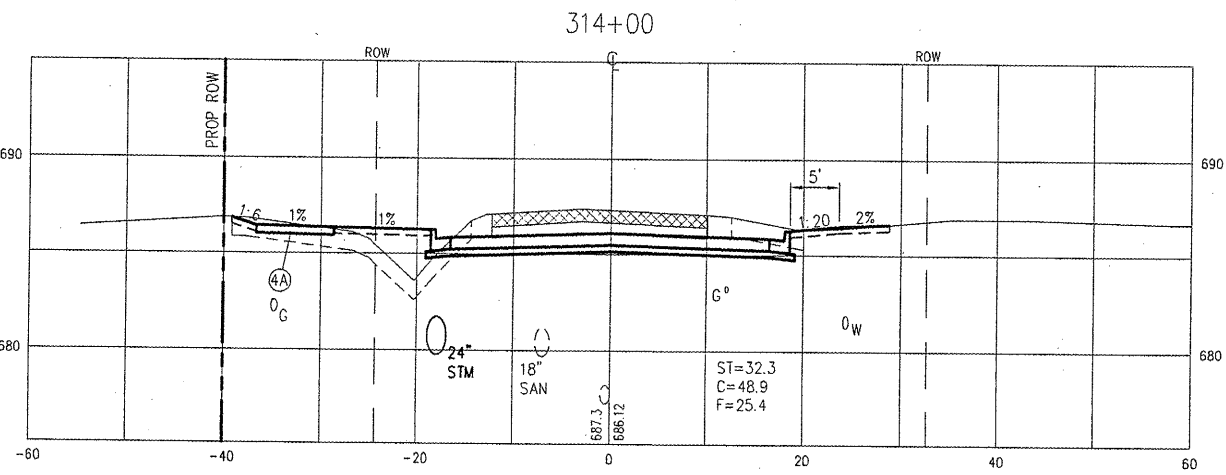
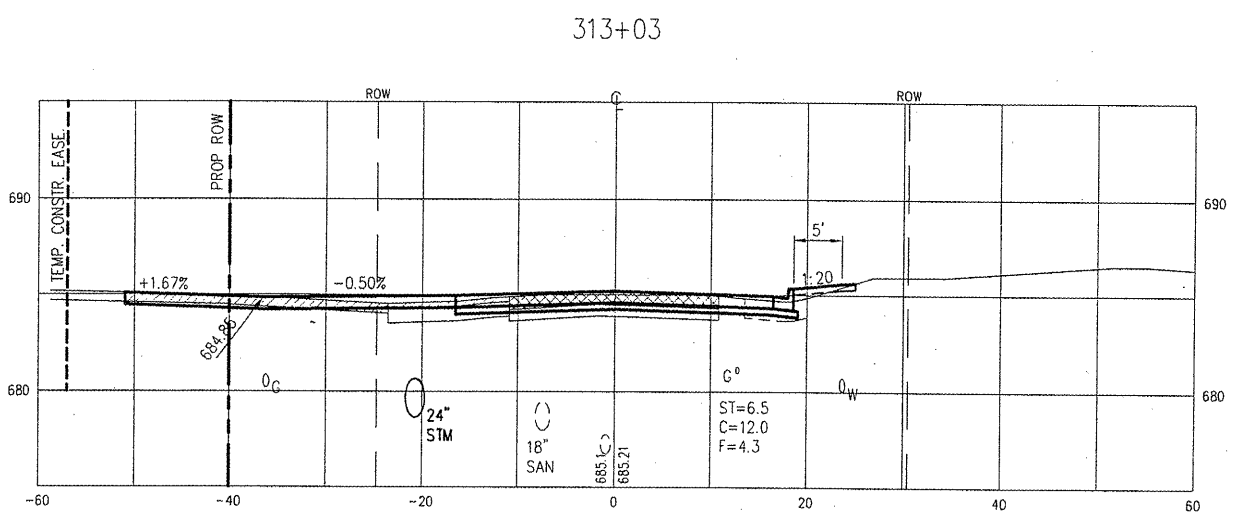
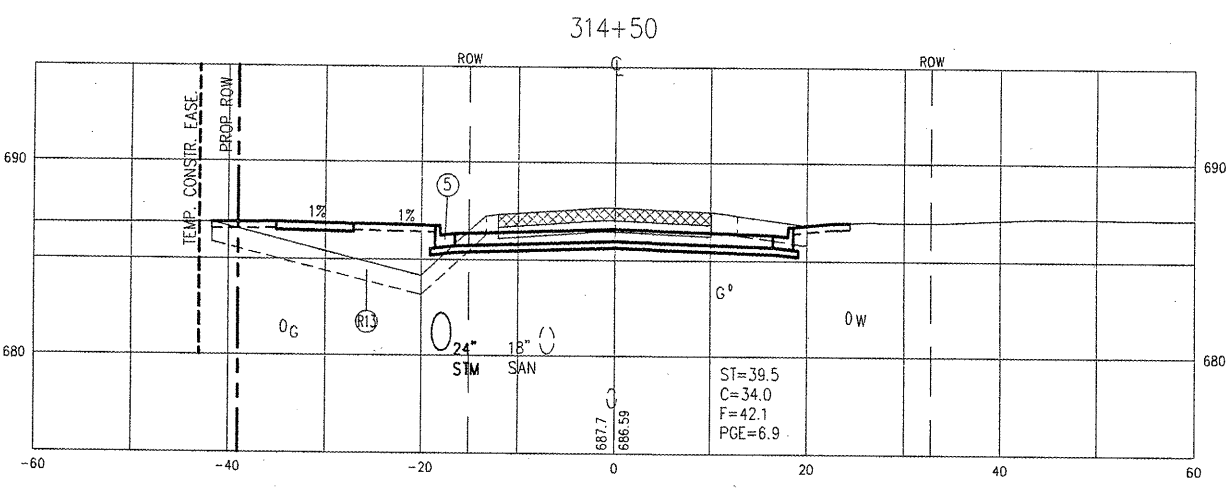
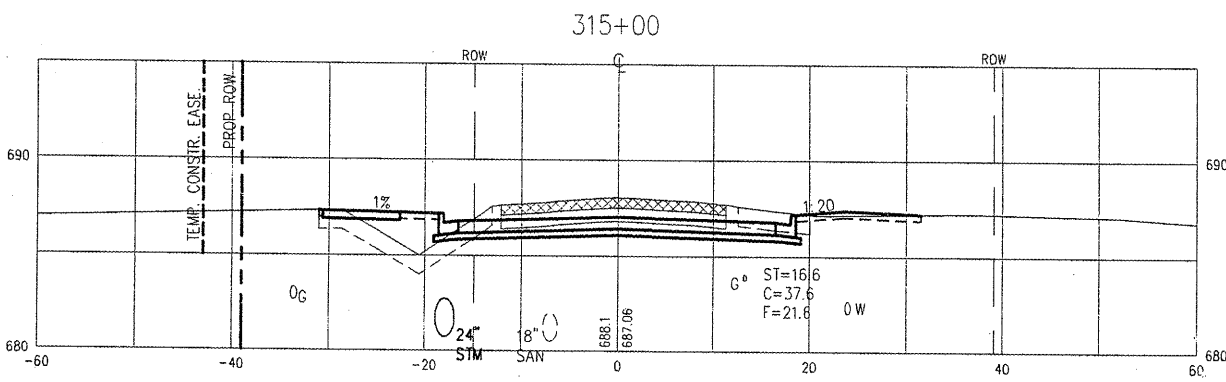
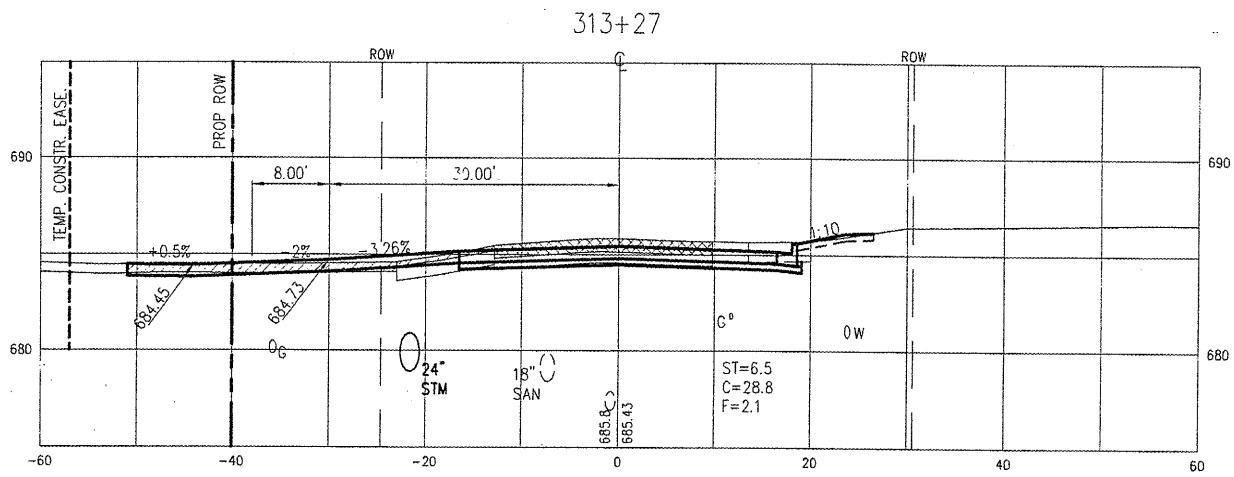
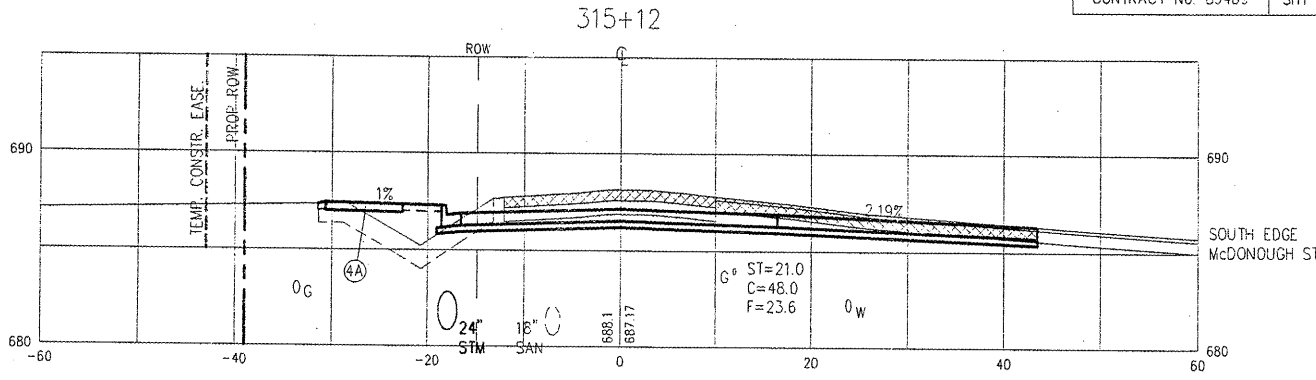
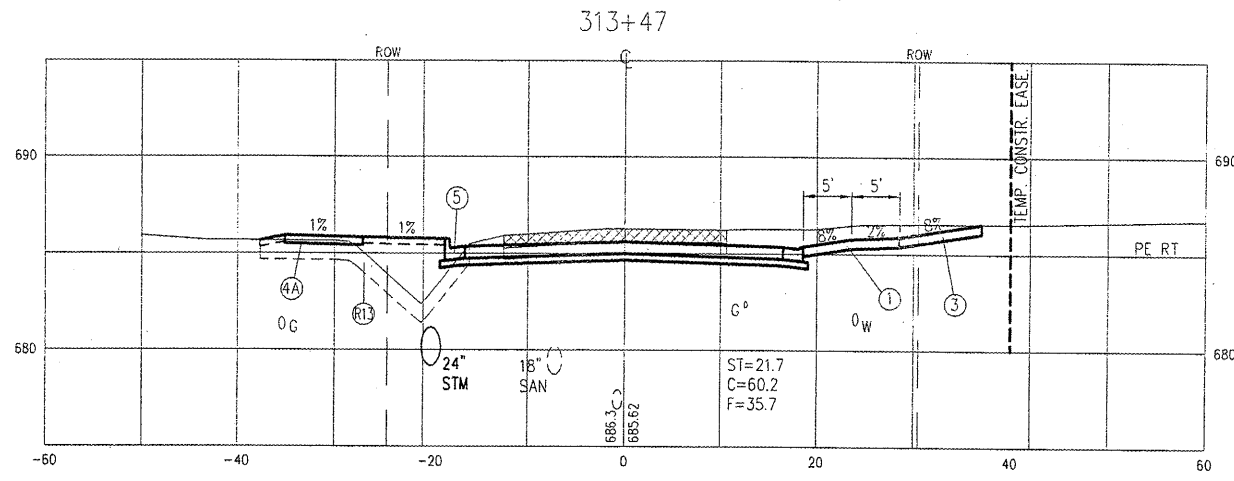


**McClure**  
 Engineering Associates, Inc.  
 714 East Jackson Street  
 Macomb, Illinois 61455  
 (309) 833-4594 FAX (309) 837-9009  
 Design firm License #184-000816 Copyright 2008 by McClure Engineering Associates, Inc.

PLOTTING SCALE: 1" = 10'  
 DRAWN BY: TAB  
 CHECKED BY: JAR  
 DATE: OCTOBER 2008

NO.	REVISIONS	DATE

**WARD STREET IMPROVEMENTS**  
**CROSS SECTIONS - STA. 313+03 TO 315+12**  
 CITY OF MACOMB  
 SOUTH WARD ST.  
 FILE NAME: MACOMB\WARDST\WARD-ST-2007-F-SEC  
 FIELD BOOK No. 2257 JOB NUMBER: 03-28-0699  
 MACOMB, ILLINOIS



**LEGEND**

- |  |   |                                    |
|--|---|------------------------------------|
| ① PCC DRIVEWAY PAVEMENT, 6"            | ④A PCC SIDEWALK 5"                      | Ⓡ1 DRIVEWAY PAVEMENT REMOVAL       |
| ② PCC DRIVEWAY PAVEMENT, 7"            | ⑤ COMB. CONC. CURB & GUTTER, TYPE B6.18 | Ⓡ2 PAVEMENT REMOVAL                |
| ③ AGGREGATE SURFACE COURSE, TYPE A, 6" | ⑥ AGGREGATE SURFACE COURSE, TYPE A, 8"  | Ⓡ3 BRICK SIDEWALK REMOVAL          |
| ④ PCC SIDEWALK, 4"                     | ⑨ POROUS GRANULAR EMBANKMENT            | Ⓡ4 CONCRETE SIDEWALK REMOVAL       |
|  |   | Ⓡ5 CURB AND GUTTER REMOVAL         |
|  |   | Ⓡ13 REMOVAL OF UNSUITABLE MATERIAL |

