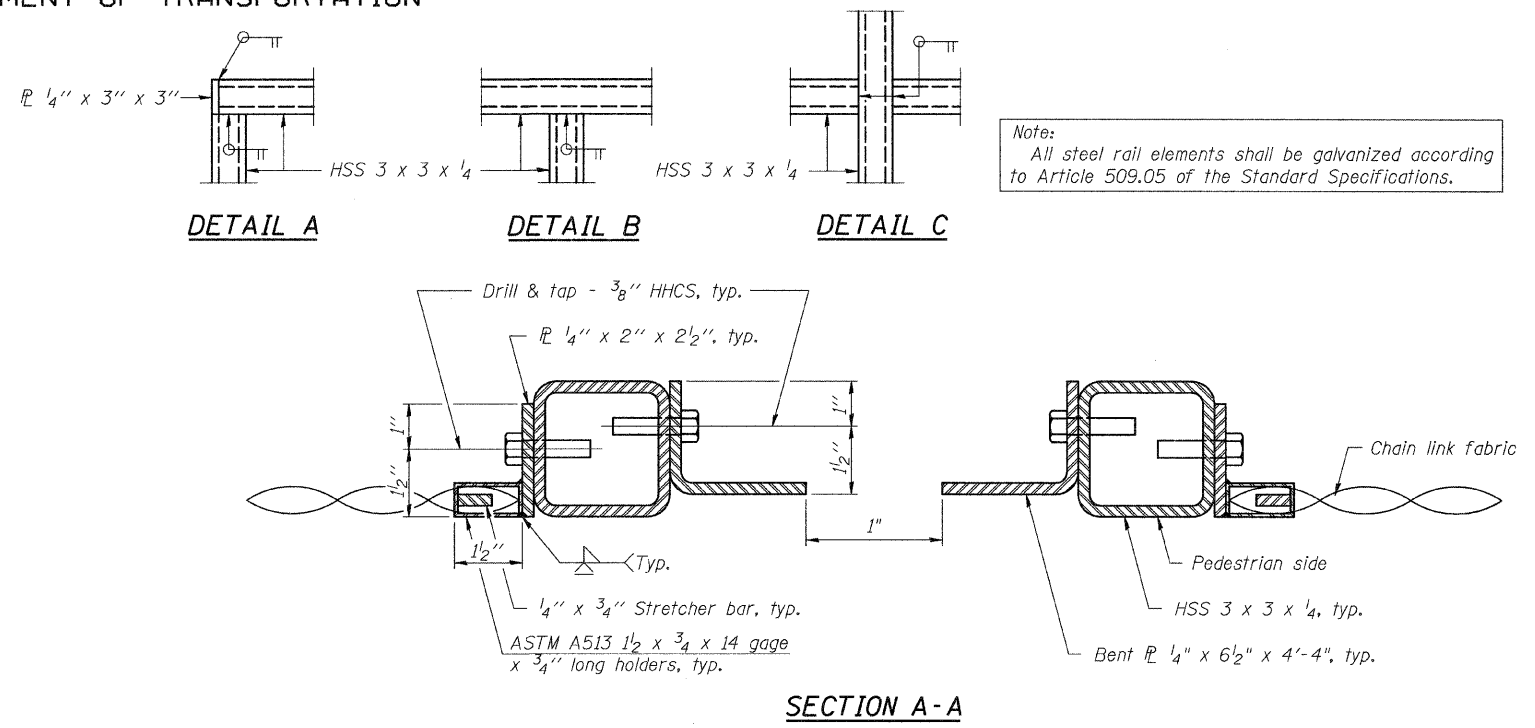
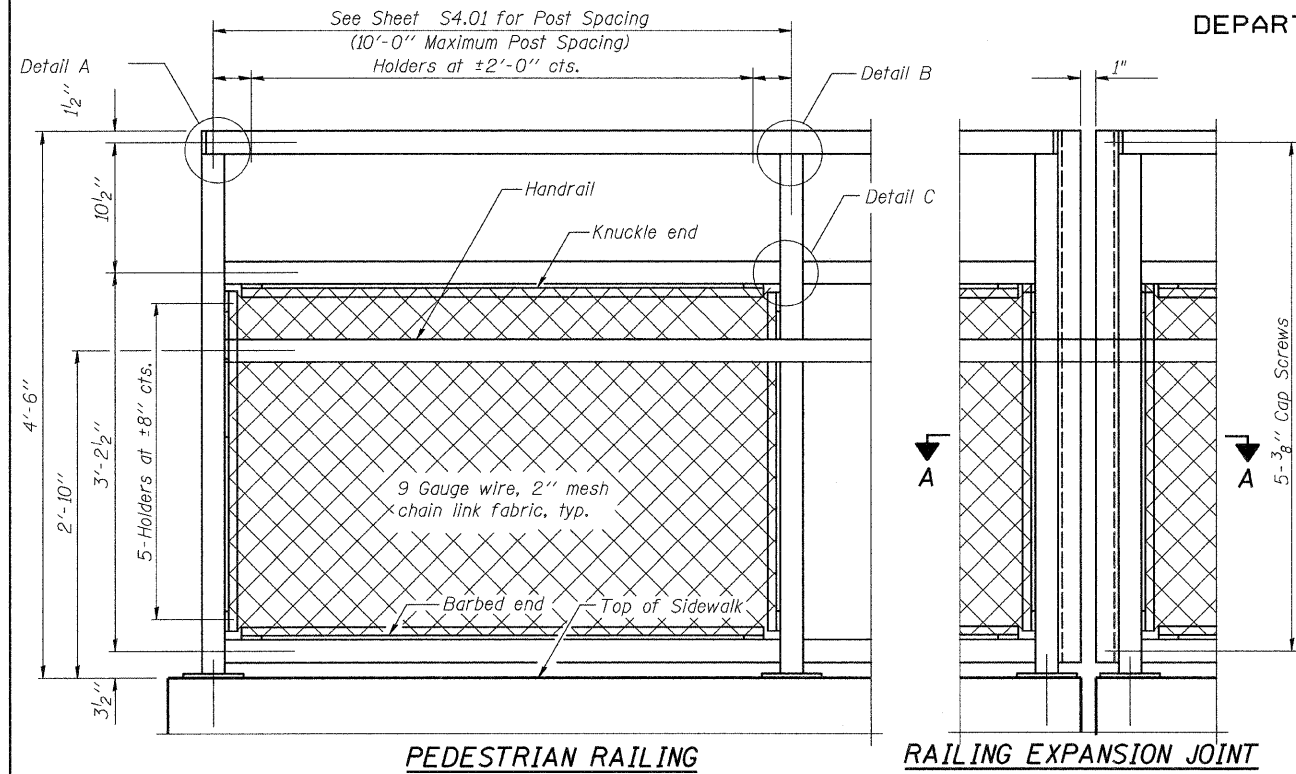
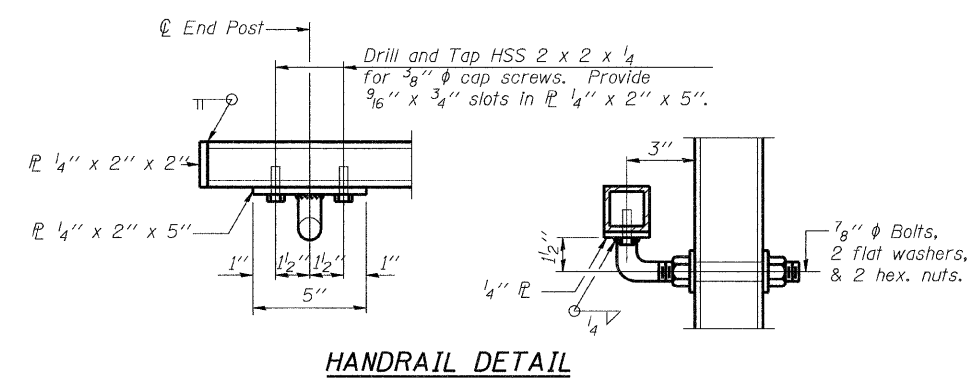
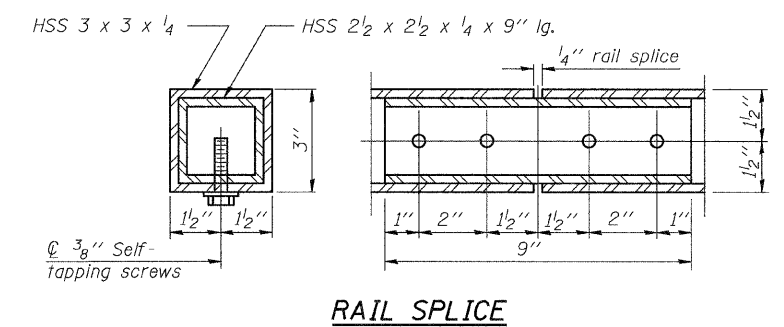
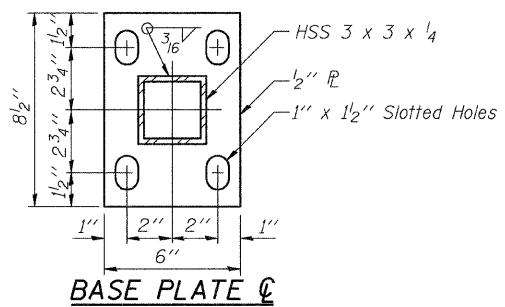


STATE OF ILLINOIS  
DEPARTMENT OF TRANSPORTATION



Note:  
All steel rail elements shall be galvanized according to Article 509.05 of the Standard Specifications.

Note:  
The Contractor shall field drill and set 5/8"  $\phi$  anchor rods according to Article 509.06 of the Standard Specifications. Embedment shall be according to the Manufacturer's Specification.



BILL OF MATERIAL

Item	Unit	Quantity
Pedestrian Railing	Foot	216

FILE NAME = X:\PEL\2008\086003\01\Draws\Plans\PEDESTRIAN RAILING.dgn

	USER NAME = ex1	DESIGNED -	REVISED -	STATE OF ILLINOIS DEPARTMENT OF TRANSPORTATION	PEDESTRIAN RAILING DETAILS			F.A. RTE.	SECTION	COUNTY	TOTAL SHEETS	SHEET NO.
	PLOT SCALE = 0.08" / IN. PLOT DATE = 4/7/2009	DRAWN -	REVISED -		SCALE:	SHEET NO.	OF SHEETS	STA.	TO STA.	08-00000-00-SW	WOODFORD	21
		CHECKED -	REVISED -					CONTRACT NO. 89503				
		DATE -	REVISED -					ILLINOIS FED. AID PROJECT				